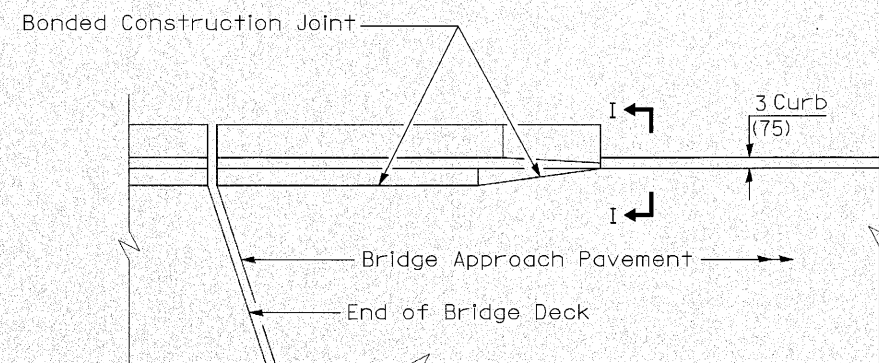
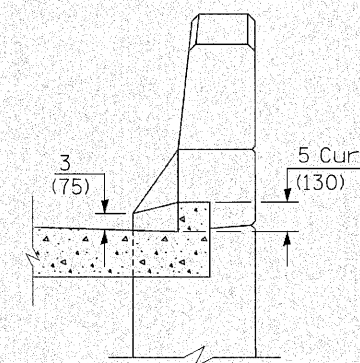


PROJECT NO.	SECTION	COUNTY	TOTAL SHEETS	SHEET NO.
353	(12&13) WRS-4	WILL	608	413
FED. ROAD DIST. NO. 1	ILLINOIS	FED. AID PROJECT		

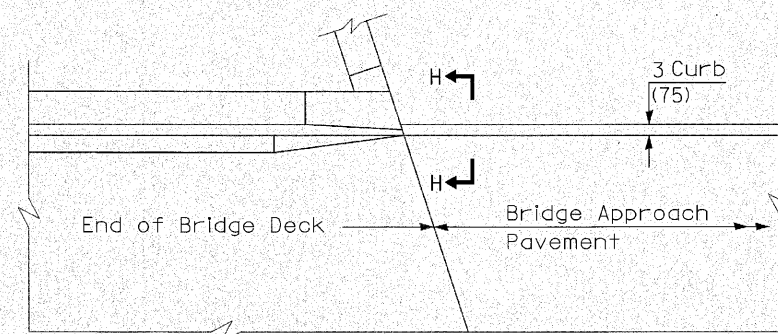
Contract No. 62478



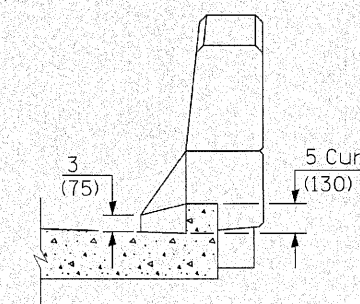
PARAPET TO CURB TRANSITION
PILE BENT ABUTMENT



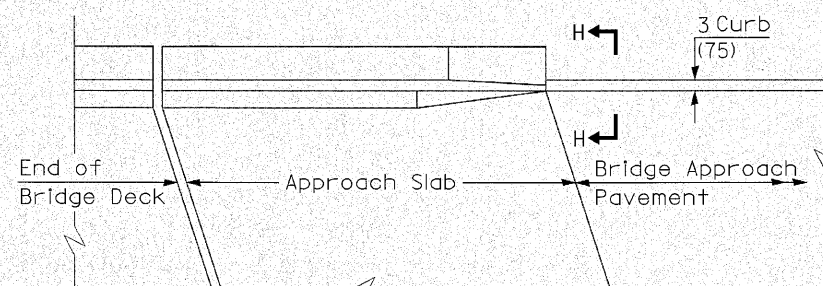
SECTION I - I



PARAPET TO CURB TRANSITION
INTEGRAL ABUTMENT



SECTION H - H



PARAPET TO CURB TRANSITION
VAULTED ABUTMENT

AP6 OF AP6

STATE OF ILLINOIS
DEPARTMENT OF TRANSPORTATION
BRIDGE APPROACH PAVEMENT
GENERAL DETAILS 4
U.S. RTE. 30 OVER HICKORY CREEK
STRUCTURE NUMBER 099-0311

SCALE:
DATE: June 11, 2010

DRAWN BY: C. Cooney
CHECKED BY: G. Hallesstad