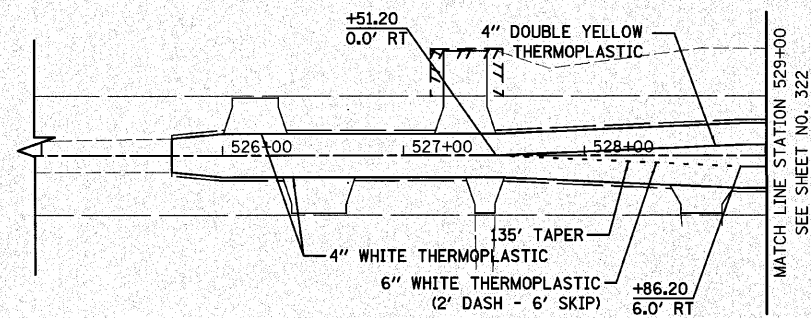


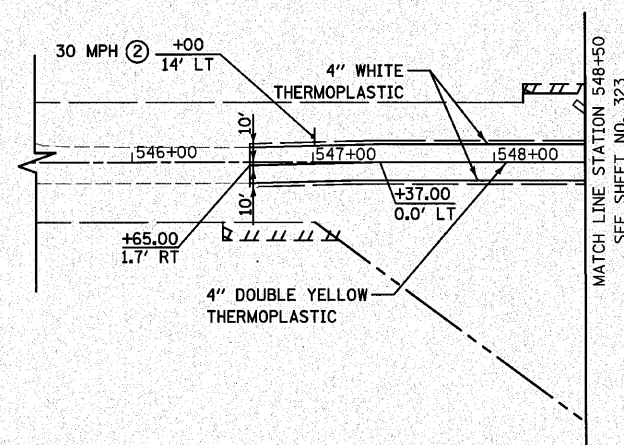
F.A.P. RTE.	SECTION	COUNTY	TOTAL SHEETS	SHEET NO.
353	(12&13)WRS-4	WILL	608	329
STA.		TO STA.		
FED. ROAD DIST. NO. 1		ILLINOIS	FED. AID PROJECT	



94TH AVENUE



NOTE: SEE SHEET NO. 322 FOR SIGN LEGEND.



93RD AVENUE

REVISIONS	
NAME	DATE

ILLINOIS DEPARTMENT OF TRANSPORTATION  
**94TH AVENUE**  
**93RD AVENUE**  
**SIGNING AND STRIPING PLANS**



DATE 6/11/2010

DRAWN BY DJK  
 CHECKED BY JRV