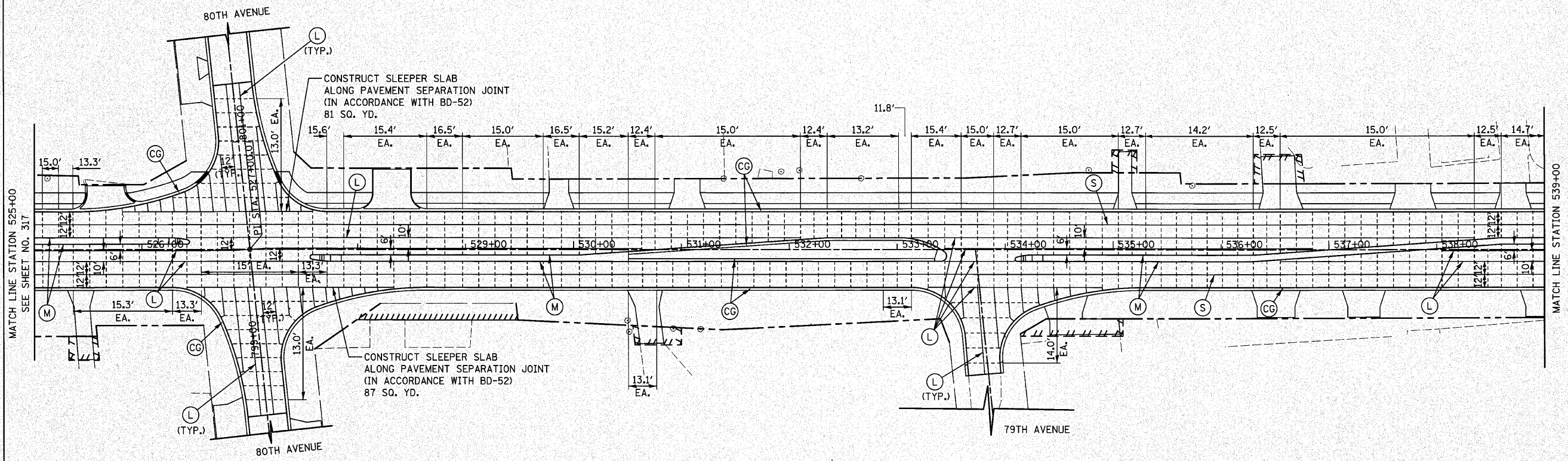
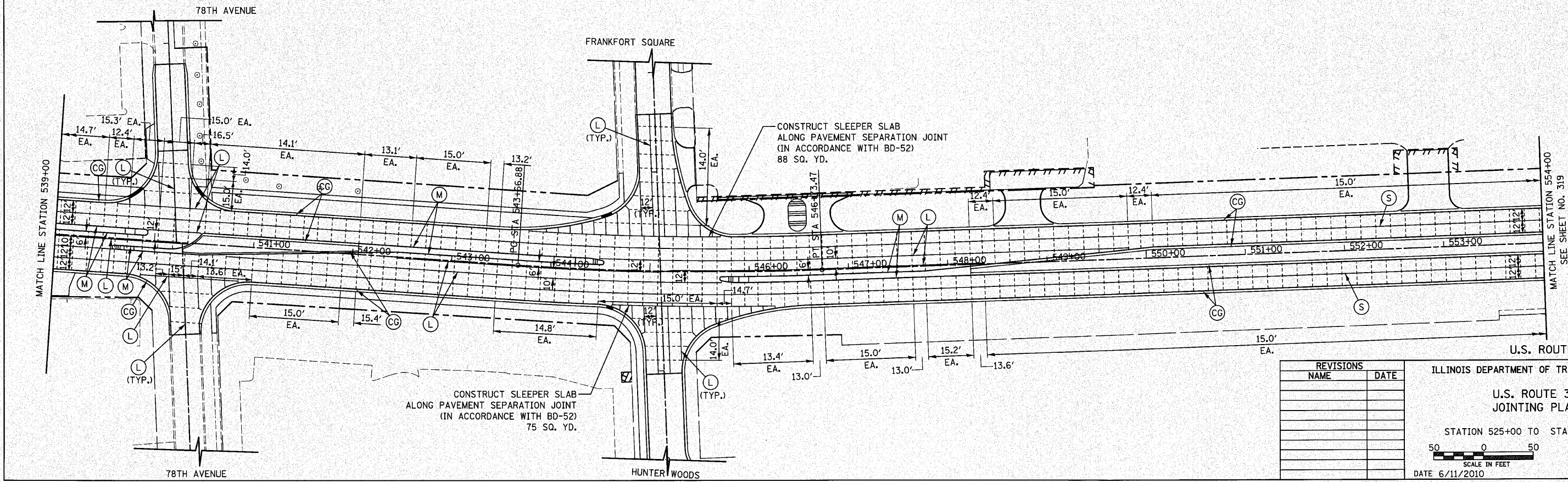


| | | | | |
|-----------------------|--------------|---------------------------|--------------|-----------|
| F.A.P. RTE. | SECTION | COUNTY | TOTAL SHEETS | SHEET NO. |
| 353 | (12&13)WRS-4 | WILL | 608 | 318 |
| STA. 525+00 | | TO STA. 554+00 | | |
| FED. ROAD DIST. NO. 1 | | ILLINOIS FED. AID PROJECT | | |



U.S. ROUTE 30



U.S. ROUTE 30

| REVISIONS | |
|-----------|------|
| NAME | DATE |
| | |
| | |
| | |
| | |
| | |

ILLINOIS DEPARTMENT OF TRANSPORTATION
 U.S. ROUTE 30
 JOINTING PLAN
 STATION 525+00 TO STATION 554+00
 SCALE IN FEET
 DATE 6/11/2010
 DRAWN BY DJK
 CHECKED BY JRV