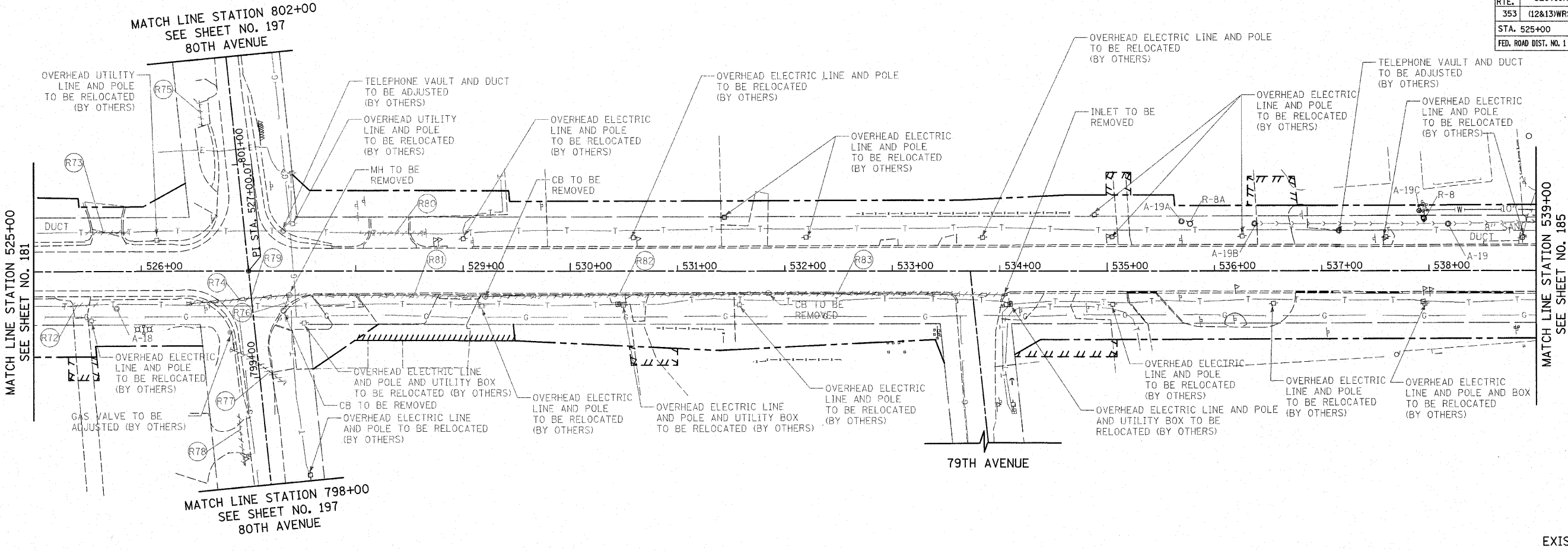
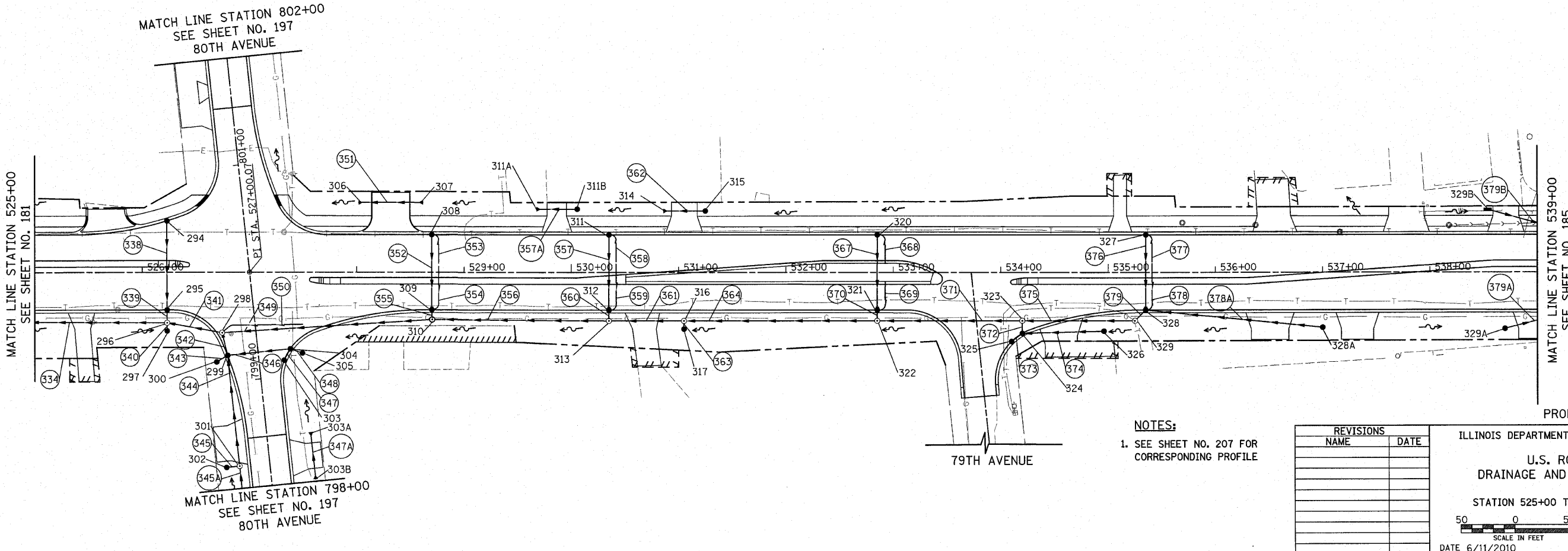


F.A.P. RTE.	SECTION	COUNTY	TOTAL SHEETS	SHEET NO.
353	(12&13)WRS-4	WILL	608	183
STA. 525+00		TO STA. 539+00		
FED. ROAD DIST. NO. 1 ILLINOIS FED. AID PROJECT				



EXISTING U.S. ROUTE 30



PROPOSED U.S. ROUTE 30

**NOTES:**  
1. SEE SHEET NO. 207 FOR CORRESPONDING PROFILE

REVISIONS	
NAME	DATE

ILLINOIS DEPARTMENT OF TRANSPORTATION

**U.S. ROUTE 30  
DRAINAGE AND UTILITY PLANS**

STATION 525+00 TO STATION 539+00

SCALE IN FEET  
50 0 50

DATE 6/11/2010

DRAWN BY DJK  
CHECKED BY JRV