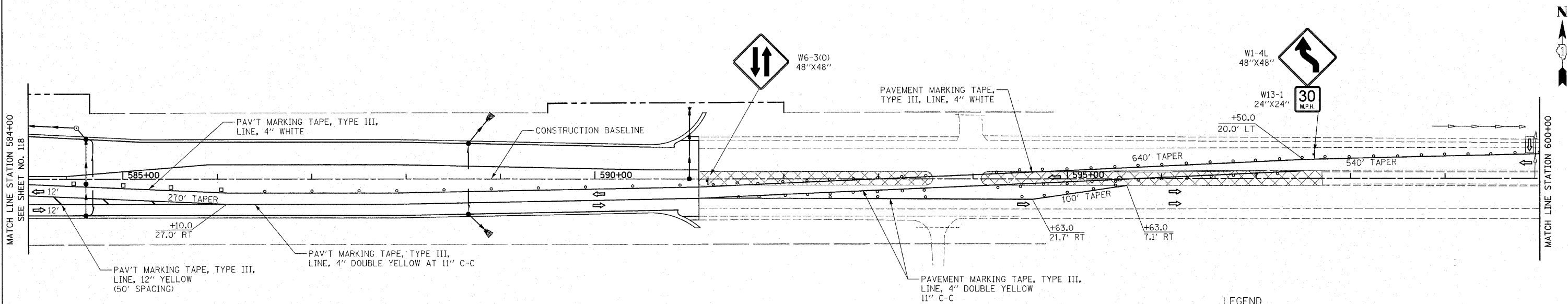


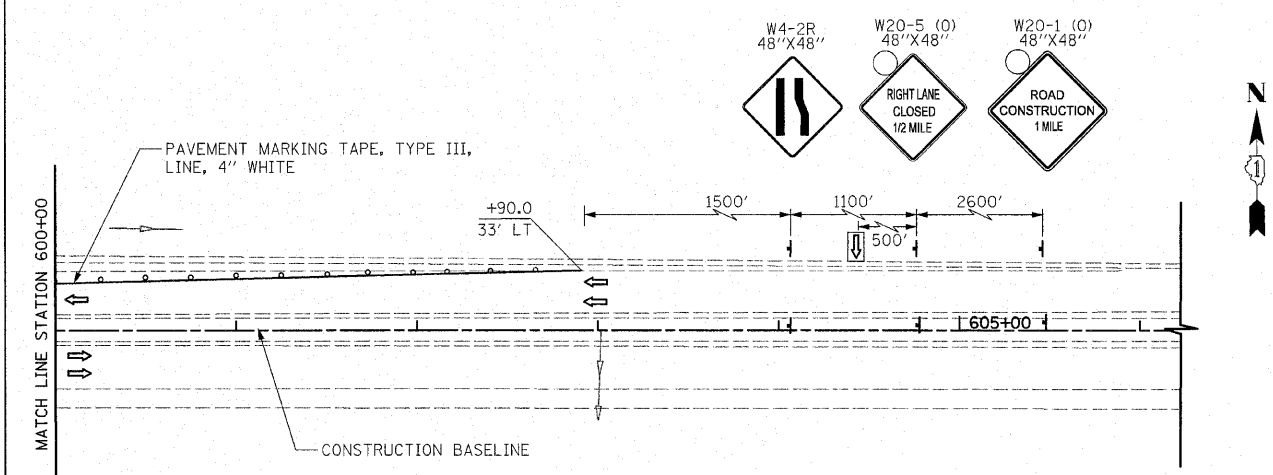
F.A.P. RTE.	SECTION	COUNTY	TOTAL SHEETS	SHEET NO.
353	(12&13)WRS-4	WILL	608	119
STA. 584+00		TO STA. 606+00		
FED. ROAD DIST. NO. 1 ILLINOIS FED. AID PROJECT				



LEGEND

	TEMPORARY PAVEMENT		ARROW BOARD
	CONSTRUCTION WORK ZONE		TYPE I OR II BARRICADE
	DIRECTION OF TRAFFIC FLOW		VERTICAL PANEL WITH STEADY BURNING LIGHT
			TYPE III BARRICADE WITH FLASHING LIGHT

U.S. ROUTE 30



REVISIONS	
NAME	DATE

ILLINOIS DEPARTMENT OF TRANSPORTATION
U.S. ROUTE 30
 MAINTENANCE OF TRAFFIC
 STAGE 2A
 STATION 584+00 TO STATION 606+00

SCALE IN FEET
 50 0 50
 DATE 6/11/2010

DRAWN BY DJK
 CHECKED BY JRV