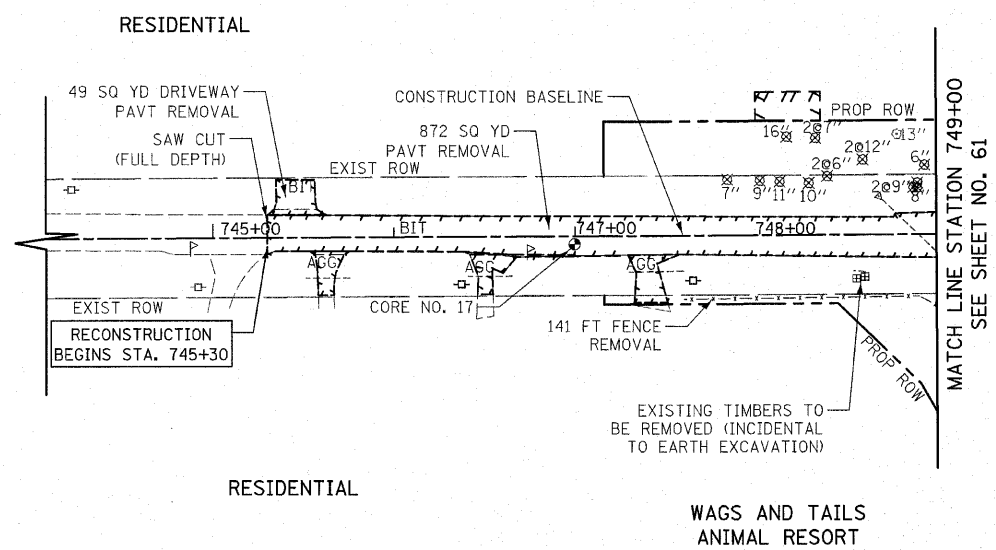
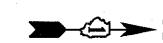
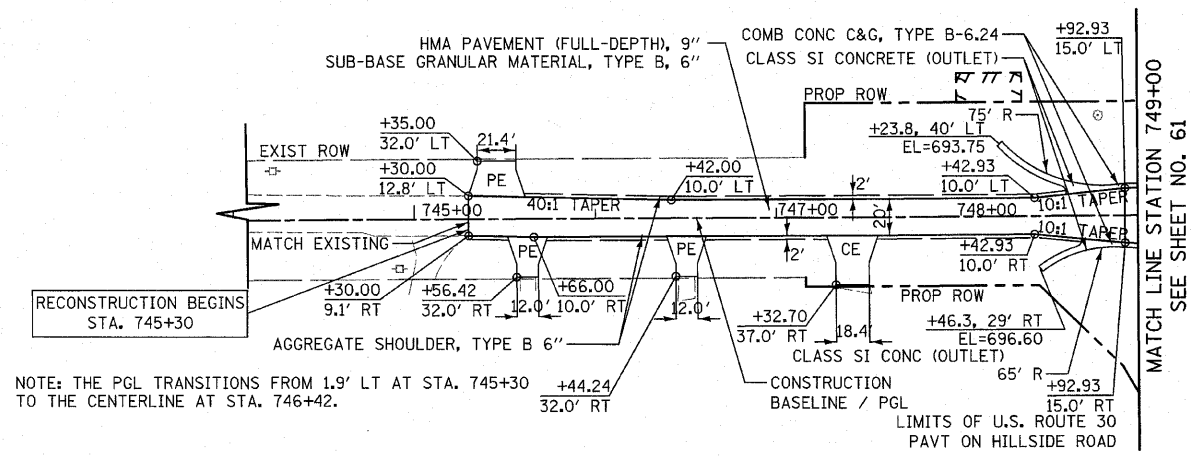
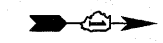


PAVEMENT CORE NO. 17
4.5" BITUMINOUS

F.A.P. RTE.	SECTION	COUNTY	TOTAL SHEETS	SHEET NO.
353	(12&13)WRS-4	WILL	608	71
STA. 745+30		TO STA. 749+00		
FED. ROAD DIST. NO. 1 ILLINOIS FED. AID PROJECT				



EXISTING HILLSIDE ROAD



NOTE: THE PGL TRANSITIONS FROM 1.9' LT AT STA. 745+30 TO THE CENTERLINE AT STA. 746+42.

- ALL DRIVEWAY RADII SHALL BE 15' UNLESS OTHERWISE NOTED. FOR FLARE RATES AND ADDITIONAL DRIVEWAY DETAILS SEE SHEET 496.

REVISIONS	
NAME	DATE

PROPOSED HILLSIDE ROAD

ILLINOIS DEPARTMENT OF TRANSPORTATION

HILLSIDE ROAD
ROADWAY PLANS

STATION 745+30 TO STATION 749+00

SCALE IN FEET

DATE 6/11/2010

DRAWN BY DJK
CHECKED BY JRV