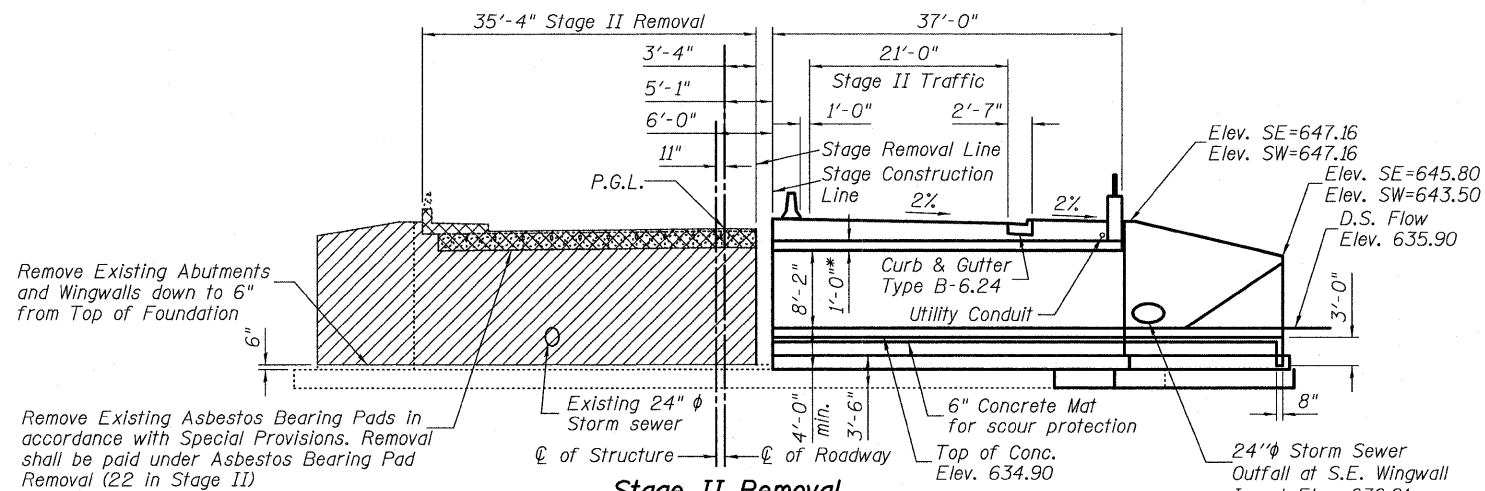


**Stage I Removal**

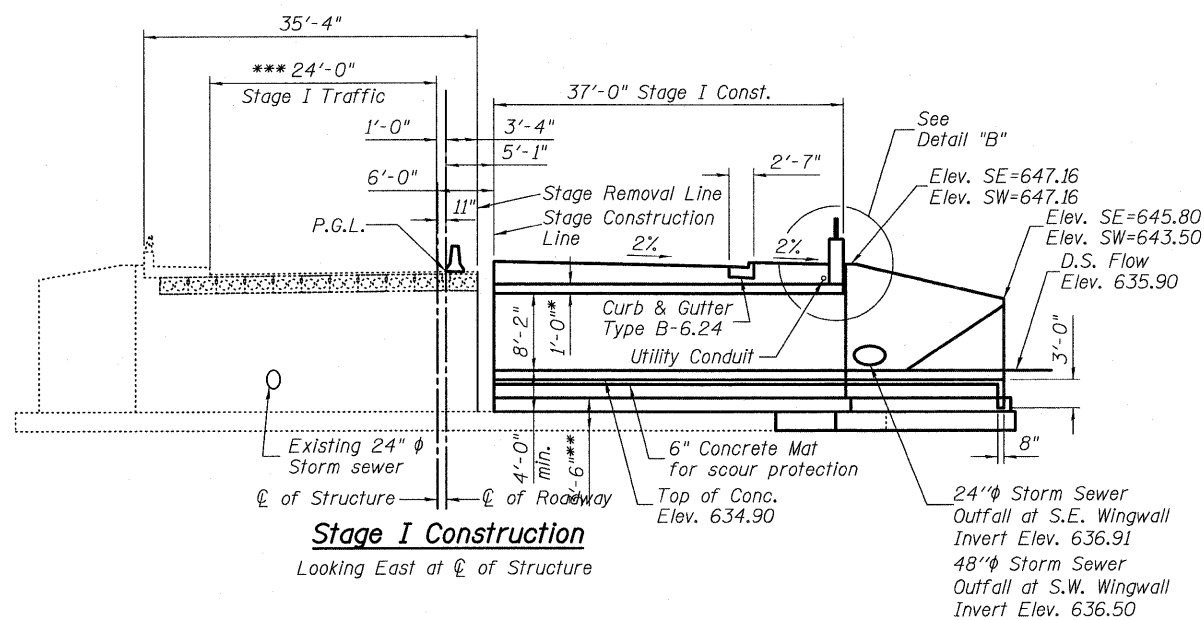
Looking East at  $\phi$  of Structure



**Stage II Removal**

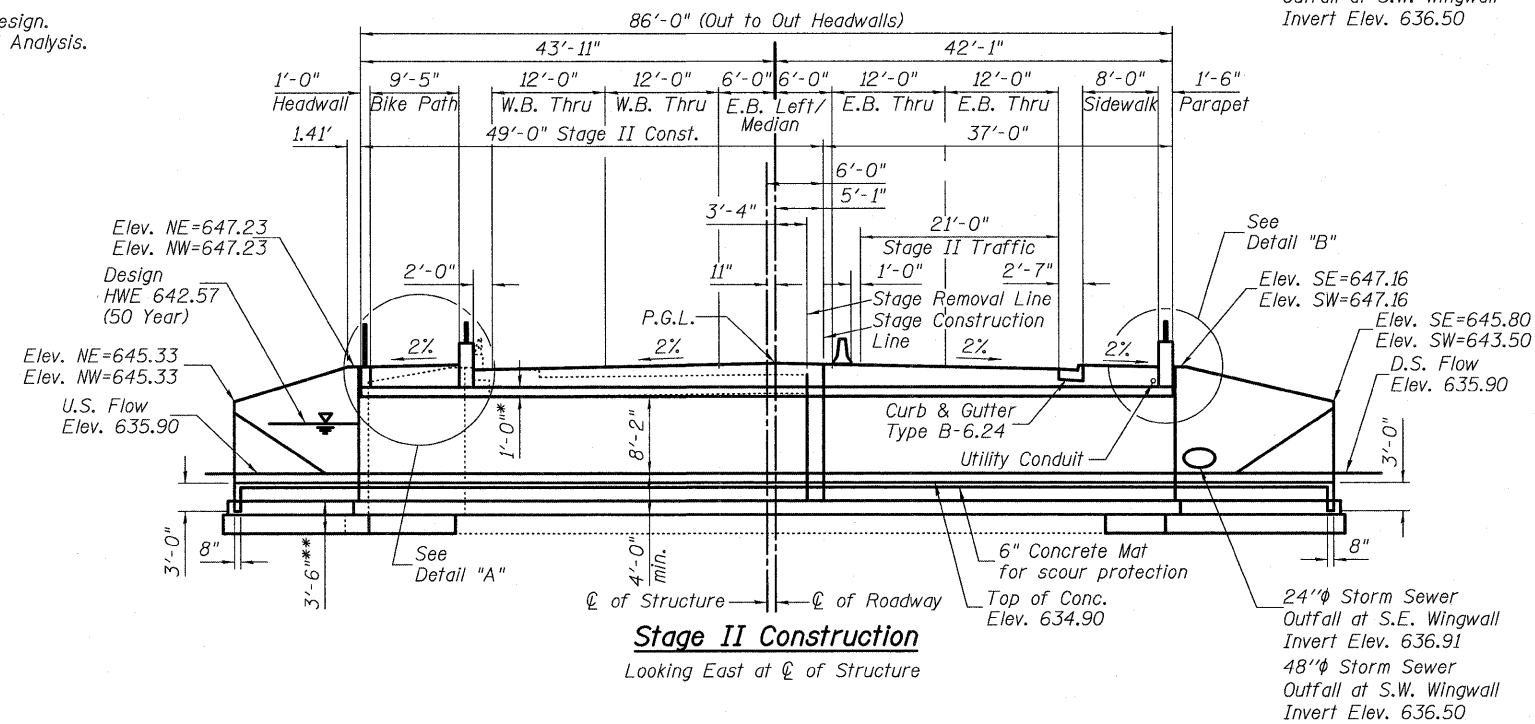
Looking East at  $\phi$  of Structure

\* Slab and wall thicknesses may vary as per manufacturer's design.  
 \*\*\* Stage I Traffic based on 2007 Bridge Condition Survey and Analysis.



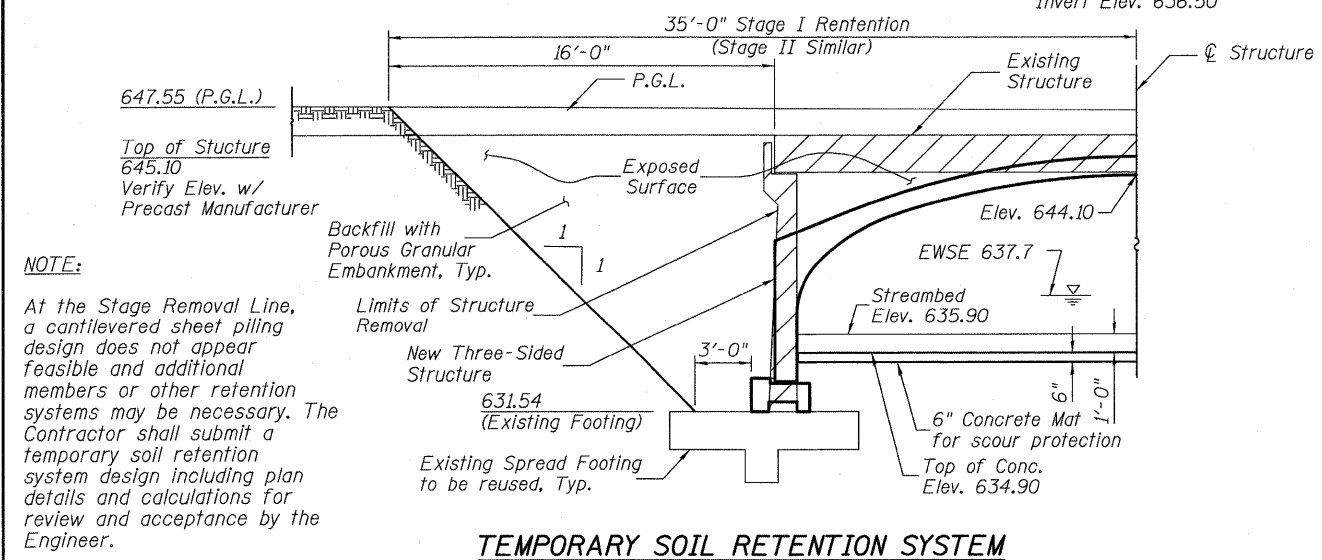
**Stage I Construction**

Looking East at  $\phi$  of Structure

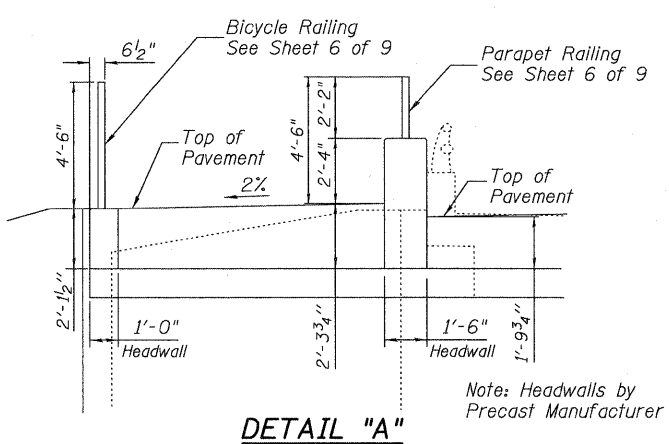


**Stage II Construction**

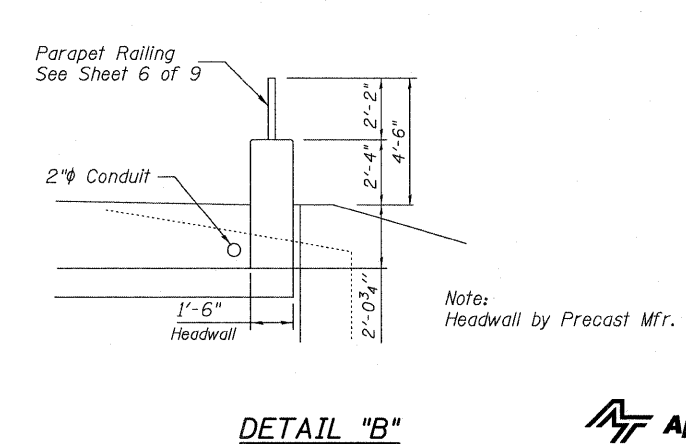
Looking East at  $\phi$  of Structure



**TEMPORARY SOIL RETENTION SYSTEM**



**DETAIL "A"**



**DETAIL "B"**



FILE NAME = STAGE CONSTRUCTION.DGN	USER NAME = RDS	DESIGNED - JRF	REVISED -	<b>STATE OF ILLINOIS DEPARTMENT OF TRANSPORTATION</b>	<b>STAGE CONSTRUCTION STRUCTURE NO. 016-0525</b>	F.A.P. RTE. 343	SECTION 98-B	COUNTY COOK	TOTAL SHEETS 65	SHEET NO. 30B	
PLOT SCALE = 1" = 1'	DRAWN - RDS	CHECKED - PAT2	REVISED -			CONTRACT NO. 60H20					
PLOT DATE = 12-15-18	CHECKED - RCJ	DRAWN - RDS	REVISED -			ILLINOIS FED. AID PROJECT					
		CHECKED - RCJ	REVISED -			SHEET NO. 3 OF 9 SHEETS					