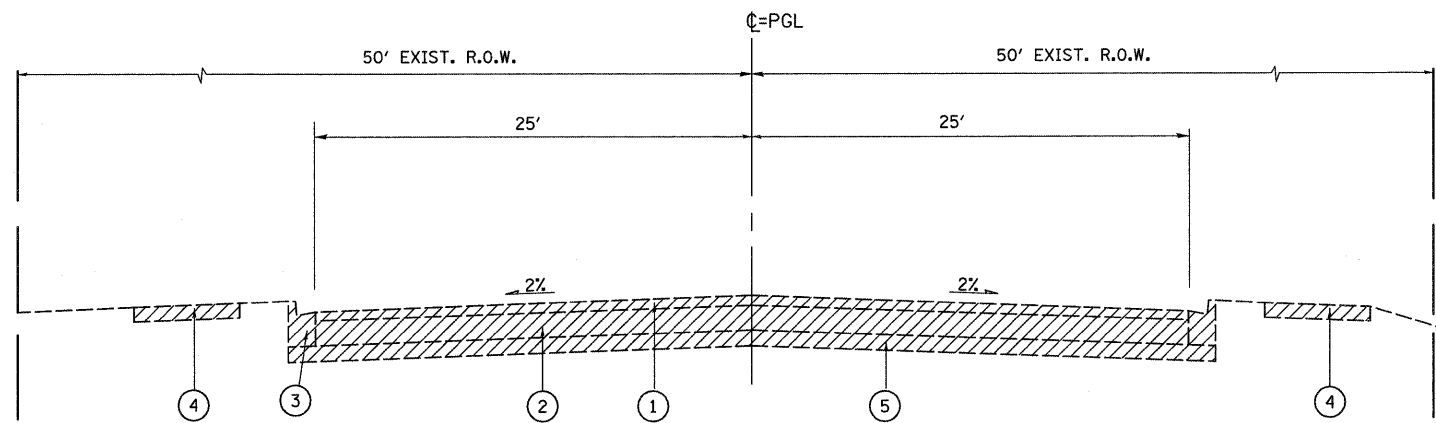


ILLINOIS ROUTE 68
 STA. 113+57 TO STA. 116+00
 STA. 121+00 TO STA. 123+00

- ① EXISTING HOT-MIX ASPHALT SURFACE, THICKNESS VARIES, PAID AS HOT-MIX ASPHALT SURFACE REMOVAL, 2"
- ② EXISTING PCC PAVEMENT, BASE COURSE, ±9"
- ③ EXISTING COMBINATION CONCRETE CURB & GUTTER, TYPE B-6.12
- ④ EXISTING CONCRETE SIDEWALK
- ⑤ EXISTING STABILIZED SUBBASE, 4"



ILLINOIS ROUTE 68
 STA. 116+00 TO STA. 119+24
 STA. 119+64 TO 121+00
 BRIDGE OMISSION: STA. 119+24 TO STA. 119+64

- ① EXISTING HOT-MIX ASPHALT SURFACE, THICKNESS VARIES, PAID AS HOT-MIX ASPHALT SURFACE REMOVAL, 2"
- ② EXISTING PCC PAVEMENT, BASE COURSE, ±9"
- ③ EXISTING COMBINATION CONCRETE CURB & GUTTER, TYPE B-6.12
- ④ EXISTING CONCRETE SIDEWALK
- ⑤ EXISTING STABILIZED SUBBASE, 4"



| | | | | | | | | | | | | |
|-------------|-----------------|-----------------|-----------|---|---|---------------------|----------------------------------|---------------------|---------------------------|-------------|-----------------|-------------|
| FILE NAME = | USER NAME = RDS | DESIGNED - JDD | REVISED - | STATE OF ILLINOIS DEPARTMENT OF TRANSPORTATION | EXISTING TYPICAL SECTIONS IL ROUTE 68 (DUNDEE ROAD) OVER WHEELING DRAINAGE DITCH | | | F.A.P. RTE. 343 | SECTION 98-B | COUNTY COOK | TOTAL SHEETS 65 | SHEET NO. 5 |
| *FILEL* | | DRAWN - RDS | REVISED - | | SCALE: N.T.S. | SHEET NO. OF SHEETS | STA. 113+57.00 TO STA. 123+00.00 | FED. ROAD DIST. NO. | ILLINOIS FED. AID PROJECT | | | |
| | | CHECKED - | REVISED - | | | | | | | | | |
| | | DATE - 11-12-10 | REVISED - | | | | | | | | | |