

STATE OF ILLINOIS  
DEPARTMENT OF TRANSPORTATION

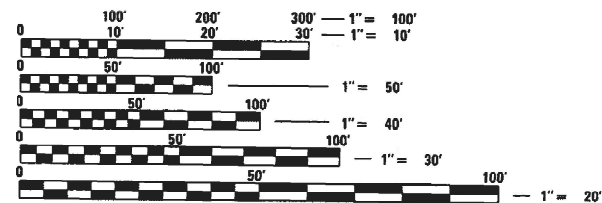
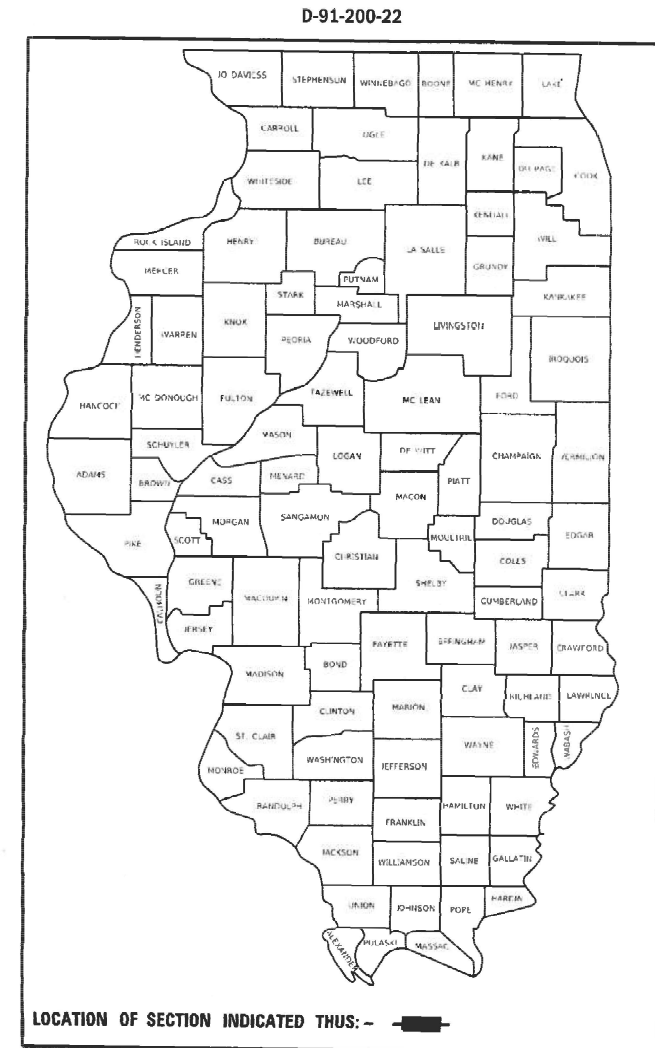
F.A. RTE.	SECTION	COUNTY	TOTAL SHEETS	SHEET NO.
VAR.	2022 SIGN 01	VARIOUS	13	1
		ILLINOIS	CONTRACT NO. 62U02	

FOR INDEX OF SHEETS, SEE SHEET NO. 2

# PROPOSED HIGHWAY PLANS

ROUTE: VARIOUS DISTRICT ONE  
DISTRICT WIDE  
SECTION: 2022 SIGN 01  
VARIOUS SIGN MAINTENANCE  
COUNTY: VARIOUS

C-91-251-22



FULL SIZE PLANS HAVE BEEN PREPARED USING STANDARD ENGINEERING SCALES. REDUCED SIZED PLANS WILL NOT CONFORM TO STANDARD SCALES. IN MAKING MEASUREMENTS ON REDUCED PLANS, THE ABOVE SCALES MAY BE USED.

J.U.L.I.E.  
JOINT UTILITY LOCATION INFORMATION FOR EXCAVATORS  
1-800-892-0123  
OR 811

SEE LOCATION MAPS  
SHEETS 5 THRU 9

PROJECT ENGINEER: RODRIGO LEDEZMA (847) 705-4580  
PROJECT MANAGER: J. ALAIN MIDY (847) 221-3056

CONTRACT NO. 62U02

STATE OF ILLINOIS  
DEPARTMENT OF TRANSPORTATION

SUBMITTED OCTOBER 18 20 22  
Joel Piro (CORS)  
REGIONAL ENGINEER  
December 9, 2022  
SAE EKS

ENGINEER OF DESIGN AND ENVIRONMENT  
December 9, 2022  
Stephen M. Lewis  
DIRECTOR OF HIGHWAYS PROJECT IMPLEMENTATION

PRINTED BY THE AUTHORITY  
OF THE STATE OF ILLINOIS

# INDEX OF SHEETS

SHEET NO.	DESCRIPTION
1	COVERSHEET
2	INDEX OF SHEETS, STANDARDS, AND GENERAL NOTES
3 - 4	SUMMARY OF QUANTITIES
5 - 9	LOCATION MAPS
10	ENTRANCE AND EXIT RAMP CLOSURE DETAILS (TC-8)
11	TRAFFIC CONTROL DETAILS FOR SINGLE AND MULTI-LANE WEAVES (TC-9)
12	TRAFFIC CONTROL DETAILS FOR SHOULDER CLOSURES AND PARTIAL RAMP CLOSURES (TC-17)
13	MILE POST MARKERS - GORE SIGNS MAJOR GUIDE SIGN LAYOUT - ARROWS (TC-27)

## LIST OF STATE STANDARDS

STANDARD NO.	DESCRIPTION
701006 - 05	OFF-RD OPERATIONS, 2L, 2W, 15' TO 24" FROM PAVEMENT EDGE
701011 - 04	OFF-RD MOVING OPERATIONS, 2L, 2W, DAY ONLY
701101 - 05	OFF-RD OPERATIONS, MULTILANE, 15' TO 24" FROM PAVEMENT EDGE
701106 - 02	OFF-RD OPERATIONS, MULTILANE, MORE THAN 15' AWAY
701301 - 04	LANE CLOSURE, 2L, 2W, SHORT TIME OPERATIONS
701400 - 11	APPROACH TO LANE CLOSURE, FREEWAY/EXPRESSWAY
701401 - 13	LANE CLOSURE, FREEWAY/EXPRESSWAY
701411 - 09	LANE CLOSURE, MULTILANE, AT ENTRANCE OR EXIT RAMPS, FOR SPEEDS > 45 MPH
701426 - 09	LANE CLOSURE, MULTILANE, INTERMITTENT OR MOVING OPERATIONS, FOR SPEEDS > 45 MPH
701427 - 05	LANE CLOSURE, MULTILANE, INTERMITTENT OR MOVING OPERATIONS, FOR SPEEDS < 40 MPH
701428 - 01	TRAFFIC CONTROL SETUP AND REMOVAL FREEWAY/EXPRESSWAY
701446 - 11	TWO LANE CLOSURE, FREEWAY/EXPRESSWAY
701901 - 08	TRAFFIC CONTROL DEVICES
720001 - 01	SIGN PANEL MOUNTING DETAILS
720006 - 04	SIGN PANEL ERECTION DETAILS
720011 - 01	METAL POSTS FOR SIGNS, MARKERS AND DELINEATORS
720016 - 04	MAST ARM MOUNTED STREET NAME SIGNS
720021 - 03	SIGN PANELS EXTRUDED ALUMINUM TYPE
728001 - 01	TELESCOPING STEEL SIGN SUPPORT
729001 - 01	APPLICATIONS OF TYPES A AND B METAL POSTS (FOR SIGNS AND MARKERS)
731001 - 01	BASE FOR TELESCOPING STEEL SIGN SUPPORT

## GENERAL NOTES

- BEFORE STARTING ANY EXCAVATION, THE CONTRACTOR SHALL CALL "JULIE" AT 800-892-0123 OR 811 FOR FIELD LOCATIONS OF BURIED ELECTRIC, TELEPHONE AND GAS FACILITIES. (48 HOUR NOTIFICATION IS REQUIRED)
- BEFORE STARTING ANY EXCAVATION, THE CONTRACTOR SHALL CALL "C.U.A.N." (CHICAGO UTILITY ALERT NETWORK) AT (312) 744-7000 FOR FIELD LOCATIONS OF BURIED ELECTRIC, TELEPHONE AND GAS UTILITIES. (48 HOUR NOTIFICATION IS REQUIRED).
- ALL WORK SHALL BE DONE AS INDICATED IN THE WORK ORDER FORM.
- NO MATERIAL SHALL BE LEFT ON OR NEAR THE ROADWAY DURING NON-WORKING HOURS.
- ANY HARDWARE REFERENCED IN THE PLANS OR SPECIAL PROVISIONS SHALL BE SUPPLIED AND INSTALLED BY THE CONTRACTOR. THE COST OF THE HARDWARE IS INCLUDED IN THE COST OF THE ITEMS INVOLVED.
- REMOVAL OF DAMAGED MATERIALS SHALL INCLUDE DISMANTLING, LOADING, HAULING AND DISPOSAL. THE WORK SITE SHALL BE LEFT IN A SAFE AND ORDERLY CONDITION.
- THE CONTRACTOR SHALL PICK UP THE SIGNS FROM ANY ONE OF THE FOUR (4) SIGN SHOPS THAT ISSUED THEM THE WORK ORDER.
- THE CONTRACTOR SHALL REQUEST AND GAIN APPROVAL FOR THE ILLINOIS DEPARTMENT OF TRANSPORTATION'S EXPRESSWAY TRAFFIC OPERATIONS ENGINEER AT WWW.IDOTLCS.COM TWENTY-FOUR HOURS IN ADVANCE OF ALL DAILY LANE, RAMP AND SHOULDER CLOSURES. ALLOWABLE HOURS ON THE EXPRESSWAY SHALL BE DETERMINED BY THE EXPRESSWAY TRAFFIC OPERATIONS ENGINEER.
- CONTRACTOR SHALL NOT IMPLEMENT TRAFFIC CONTROL STANDARD 701426-09 ON THE INTERSTATE SYSTEM. THE SIGN SHOP LOCATIONS ARE AS FOLLOWS:

(ESS)  
 IDOT ELGIN SIGN SHOP  
 595 S. STATE STREET, DRIVE F, DOOR 22  
 ELGIN, IL 60123  
 (847) 741-5302

(SSSS)  
 IDOT SOUTHSIDE SIGN SHOP  
 15940 PULASKI RD.  
 MARKHAM, IL 60426  
 (708) 597-9800

(NSSS)  
 IDOT NORTHSIDE SIGN SHOP  
 7151 W. FOREST PRESERVE DRIVE  
 CHICAGO, IL 60634  
 (773) 685-8386

(NLSS)  
 IDOT NEW LENOX SIGN SHOP  
 1400 W. MAPLE STREET  
 NEW LENOX, IL 60452  
 (815) 485-6475

FILE NAME =	USER NAME = Rodrigo.Ledezma	DESIGNED -	REVISED -	<b>STATE OF ILLINOIS DEPARTMENT OF TRANSPORTATION</b>	<b>INDEX OF SHEETS, STATE STANDARDS &amp; GENERAL NOTES</b>	F.A. RTE.	SECTION	COUNTY	TOTAL SHEETS	SHEET NO.
p:\idot-pw\bentley.com\PIWIDOT\Documents\IDOT Offices\District 1\Projects\DI20022\CAD\DRAWING\DI20022-shr-genote.dgn	CHECKED -	REVISED -	VAR.			2022 SIGN 01	VARIOUS	13	2	
PLOT SCALE = 60000.0000' / in.	CHECKED -	REVISED -	CONTRACT NO. 62U02							
PLOT DATE = 10/19/2022	DATE -	REVISED -	FED. ROAD DIST. NO. ILLINOIS FED. AID PROJECT							
SCALE:						SHEET NO.	OF	SHEETS	STA.	TO STA.

SUMMARY OF QUANTITIES			TOTAL QUANTITIES URBAN	100% STATE 0044	CONSTRUCTION TYPE CODE				
CODE NO	ITEM	UNIT							
63500105	DELINEATORS	EACH	100	100					
70200100	NIGHTTIME WORK ZONE LIGHTING	L SUM	1	1					
72300100	INSTALL EXISTING SIGN PANEL	SQ FT	1250	1250					
72400100	REMOVE SIGN PANEL ASSEMBLY - TYPE A	EACH	300	300					
72400200	REMOVE SIGN PANEL ASSEMBLY - TYPE B	EACH	200	200					
72400330	REMOVE SIGN PANEL - TYPE 3	SQ FT	1200	1200					
72400500	RELOCATE SIGN PANEL ASSEMBLY - TYPE A	EACH	100	100					
72400600	RELOCATE SIGN PANEL ASSEMBLY - TYPE B	EACH	50	50					
72400730	RELOCATE SIGN PANEL - TYPE 3	SQ FT	250	250					
72800100	TELESCOPING STEEL SIGN SUPPORT	FOOT	2000	2000					
73000100	WOOD SIGN SUPPORT	FOOT	700	700					
X0320586	FLEXIBLE DELINEATORS	EACH	80	80					
X0325130	TUBULAR TRAFFIC SIGN POST	EACH	50	50					
X0326174	REPAIR EXISTING SIGN ASSEMBLY	EACH	50	50					
X0326181	INSTALL STREET SIGN	SQ FT	500	500					
X0327356	INSTALL ROUND STEEL SIGN SUPPORT	FOOT	4	4					

SUMMARY OF QUANTITIES			TOTAL QUANTITIES URBAN	100% STATE 0044	CONSTRUCTION TYPE CODE				
CODE NO	ITEM	UNIT							
X0877000	STRAIGHTEN EXISTING SIGN POST - TYPE A ASSEMBLY	EACH	75	75					
X0877100	STRAIGHTEN EXISTING SIGN POST - TYPE B ASSEMBLY	EACH	75	75					
X0877200	STRAIGHTEN EXISTING SIGN POST - TYPE 3 ASSEMBLY	EACH	25	25					
X2010100	TREE LIMB REMOVAL (4 TO 10 INCHES DIAMETER)	EACH	25	25					
X7200150	INSTALL SIGN PANEL - TYPE 1 (EXPRESSWAY)	SQ FT	500	500					
X7200250	INSTALL SIGN PANEL - TYPE 2 (EXPRESSWAY)	SQ FT	800	800					
X7200350	INSTALL SIGN PANEL - TYPE 3 (EXPRESSWAY)	SQ FT	200	200					
X7230100	INSTALL SIGN PANEL - TYPE 1	SQ FT	3000	3000					
X7230200	INSTALL SIGN PANEL - TYPE 2	SQ FT	1000	1000					
X7230203	INSTALL SIGN PANEL - TYPE 3	SQ FT	200	200					
X7240195	REMOVE EXISTING SIGN PANEL	EACH	80	80					
X7270025	REMOVE EXISTING SIGN SUPPORT	EACH	100	100					

FILE NAME =	USER NAME =	DESIGNED -	REVISED -
pw\N\dot-pw.bentley.com\FWIDOT\Documents\DOT - Office\District\Projects\DI20022\CAD\dot\Design\DI20022-st-300	RodrigoLedeza	DRAWN -	REVISED -
		CHECKED -	REVISED -
		DATE -	REVISED -

**STATE OF ILLINOIS  
DEPARTMENT OF TRANSPORTATION**

<b>SUMMARY OF QUANTITIES</b>			
SCALE:	SHEET NO.	OF SHEETS	STA. TO STA.

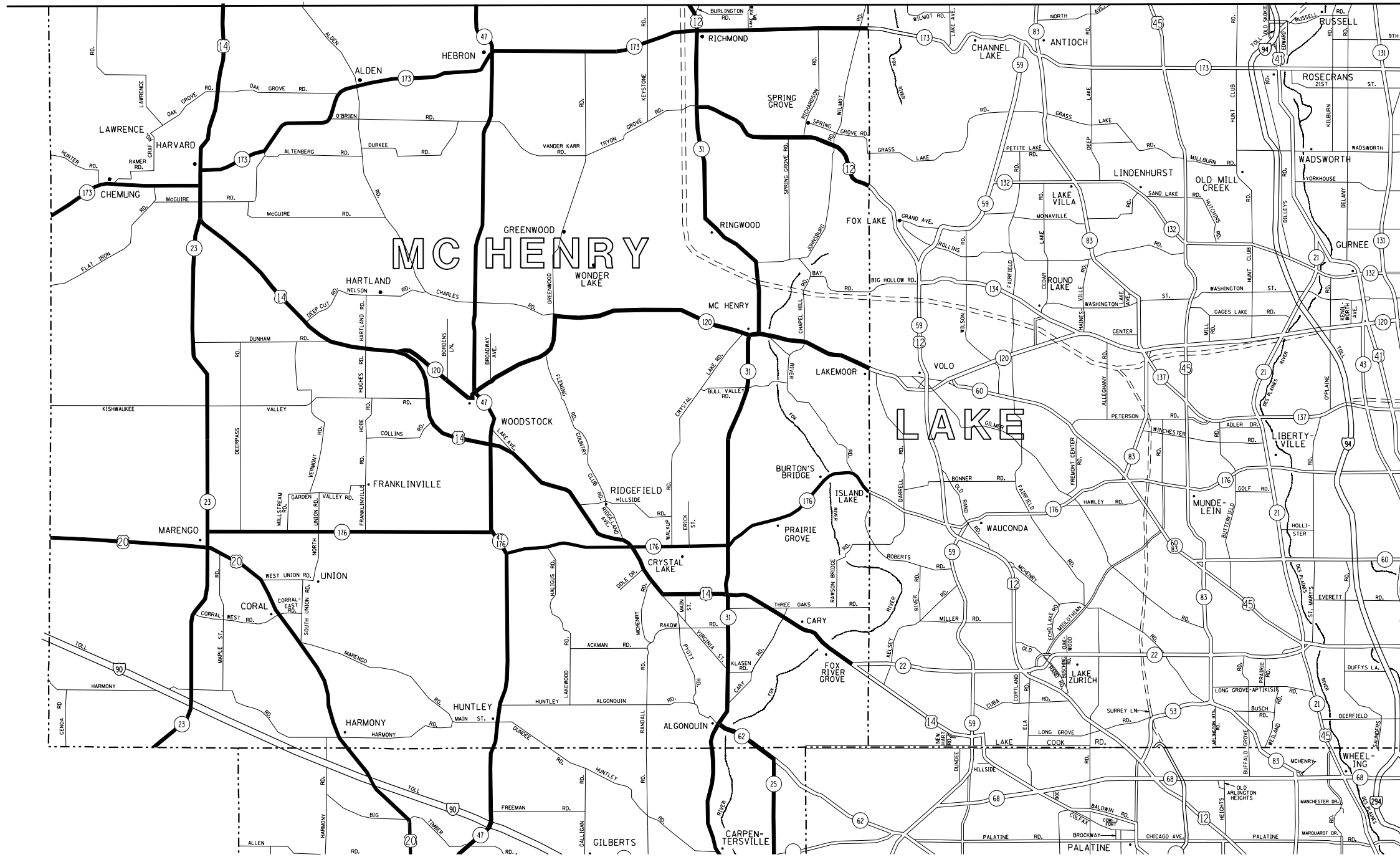
F.A. RTE.	SECTION	COUNTY	TOTAL SHEETS	SHEET NO.
VAR.	2022 SIGN 01	VARIOUS	13	3
FED. ROAD DIST. NO. 1 ILLINOIS FED. AID PROJECT			CONTRACT NO. 62U02	







# WISCONSIN



**ELGIN SIGN SHOP JURISDICTION**

**DISTRICT NO. 1**

- STATE HIGHWAYS & EXPRESSWAYS WITHIN STATE JURISDICTION (EXCEPT TOLLWAYS)
- - - FUTURE HIGHWAYS
- VARIOUS AGENCIES HIGHWAYS

SEE NEXT SHEET FOR ELGIN SIGN SHOP CONTINUATION

FILE NAME =	USER NAME = Rodrigo.Ledezma	DESIGNED -	REVISED -
p:\idot-pw\Bentley.com\PWIDOT\Documents\IDOT Offices\District 1\Projects\0120022\CAD\Drawings\0120022-sht-plan.dgn		REVISED -	REVISED -
PLOT SCALE = 60000.0000' / in.	CHECKED -	REVISED -	REVISED -
PLOT DATE = 10/19/2022	DATE -	REVISED -	REVISED -

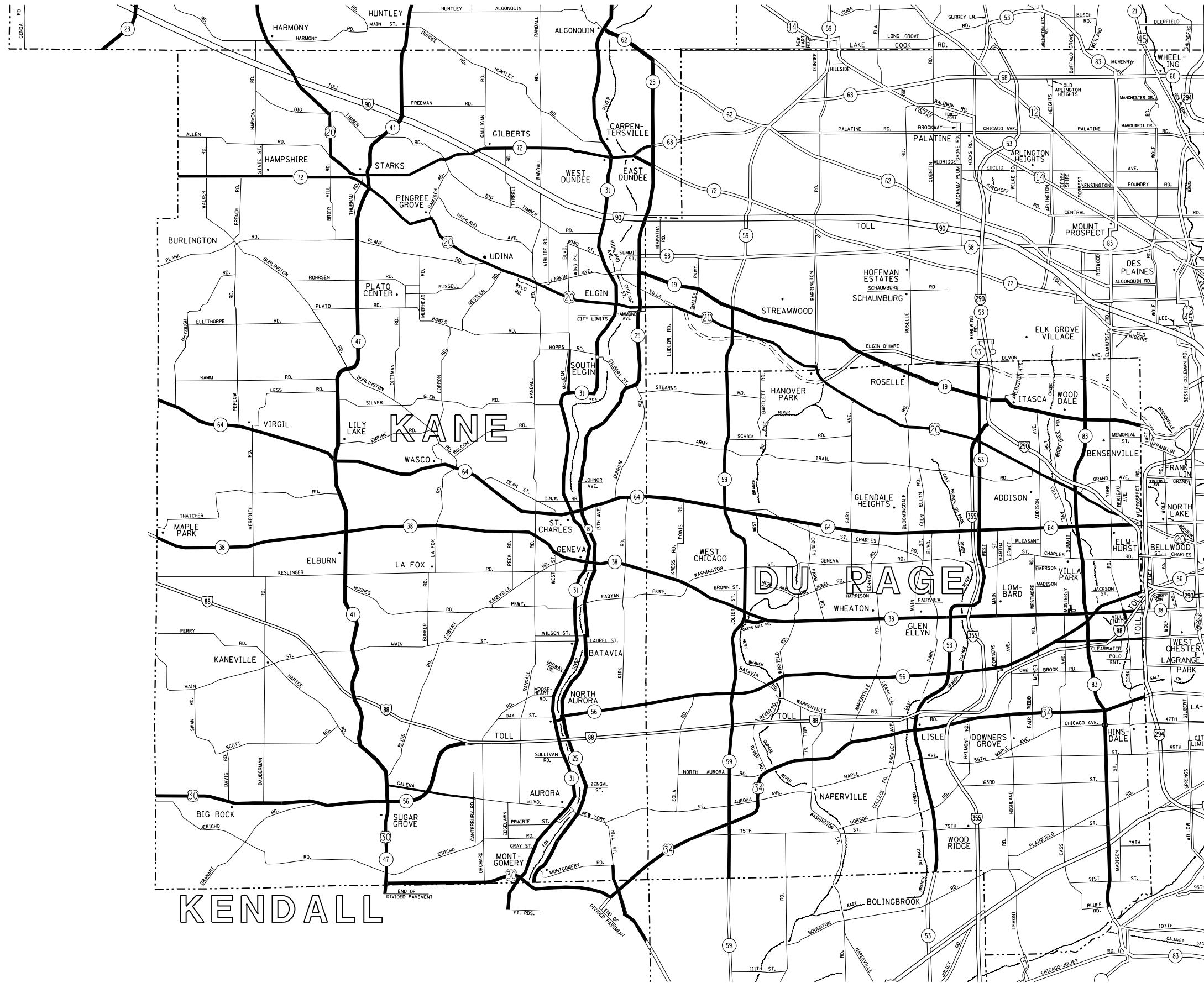
**STATE OF ILLINOIS  
DEPARTMENT OF TRANSPORTATION**

**ELGIN SIGN SHOP JURISDICTION SHEET 1 OF 2  
SIGN INSTALLATION AND REPAIR**

SCALE: SHEET NO. OF SHEETS STA. TO STA.

F.A. RTE.	SECTION	COUNTY	TOTAL SHEETS	SHEET NO.
VAR.	2022 SIGN 01	VARIOUS	13	6
			CONTRACT NO. 62U02	
FED. ROAD DIST. NO.		ILLINOIS FED. AID PROJECT		

SEE PREVIOUS SHEET FOR ELGIN SIGN SHOP CONTINUATION



**ELGIN SIGN SHOP JURISDICTION**

- DISTRICT NO. 1
- STATE HIGHWAYS & EXPRESSWAYS WITHIN STATE JURISDICTION (EXCEPT TOLLWAYS)
  - - - FUTURE HIGHWAYS
  - VARIOUS AGENCIES HIGHWAYS

FILE NAME =	USER NAME = Rodrigo.Ledezma	DESIGNED -	REVISED -
p:\11dot-pw.bentley.com\PWIDOT\Documents\11DOT Offices\District 1\Projects\D120022\CADD\Design\B120022-sht-plan.dgn		CHECKED -	REVISED -
PLOT SCALE = 60000.0000' / in.		DATE -	REVISED -
PLOT DATE = 10/19/2022			

**STATE OF ILLINOIS  
DEPARTMENT OF TRANSPORTATION**

**ELGIN SIGN SHOP JURISDICTION SHEET 2 OF 2  
SIGN INSTALLATION AND REPAIR**

SCALE: SHEET NO. OF SHEETS STA. TO STA.

F.A. R.E.	SECTION	COUNTY	TOTAL SHEETS	SHEET NO.
VAR.	2022 SIGN 01	VARIOUS	13	7
FED. ROAD DIST. NO. ILLINOIS FED. AID PROJECT			CONTRACT NO. 62U02	



**NEW LENOX SIGN SHOP JURISDICTION**

- DISTRICT NO. 1
- STATE HIGHWAYS & EXPRESSWAYS WITHIN STATE JURISDICTION (EXCEPT TOLLWAYS)
  - - - FUTURE HIGHWAYS
  - VARIOUS AGENCIES HIGHWAYS

FILE NAME =	USER NAME = Rodrigo.Ledezma	DESIGNED -	REVISED -
p:\11dot-pw.bentley.com\PWIDOT\Documents\DOT Offices\District 1\Projects\DI20022\CADD\Design\DI20022-sht-plan.dgn		REVISED -	REVISED -
PLOT SCALE = 60000.0000' / in.	CHECKED -	REVISED -	REVISED -
PLOT DATE = 10/19/2022	DATE -	REVISED -	REVISED -

**STATE OF ILLINOIS  
DEPARTMENT OF TRANSPORTATION**

NEW LENOX SIGN SHOP JURISDICTION 1 OF 1			
SIGN INSTALLATION AND REPAIR			
SCALE:	SHEET NO.	OF SHEETS	STA. TO STA.

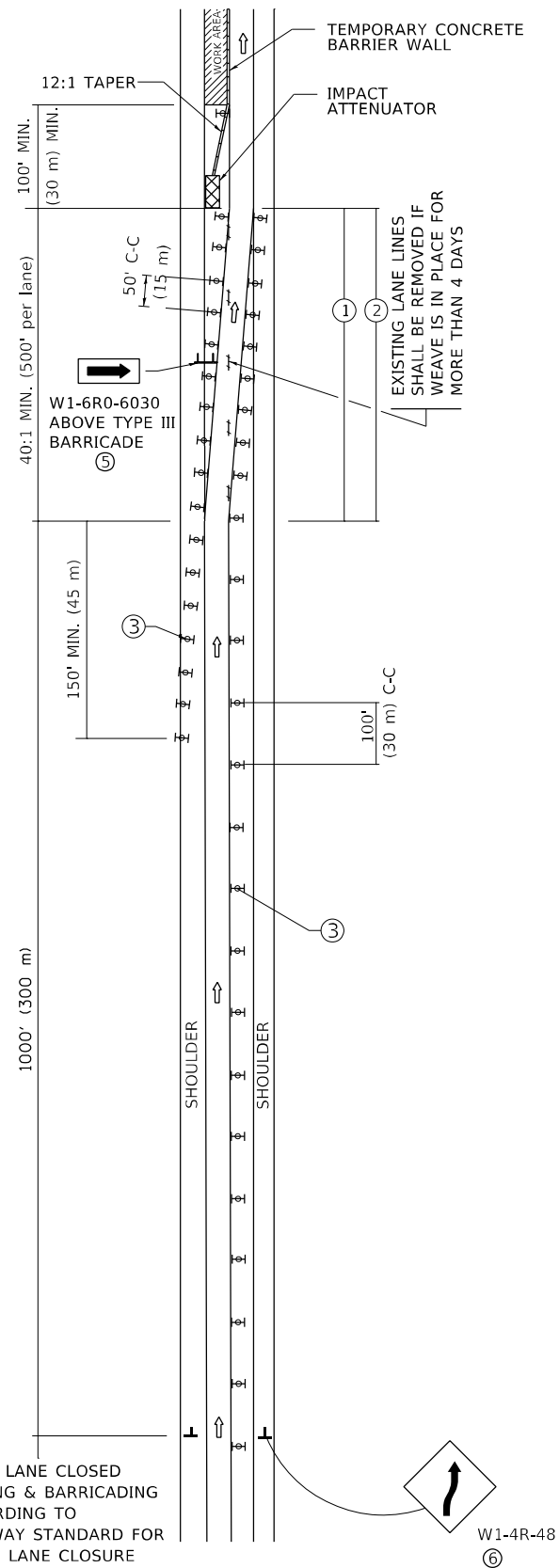
F.A. RTE.	SECTION	COUNTY	TOTAL SHEETS	SHEET NO.
VAR.	2022 SIGN 01	VARIOUS	13	8
CONTRACT NO. 62U02				
FED. ROAD DIST. NO. ILLINOIS FED. AID PROJECT				



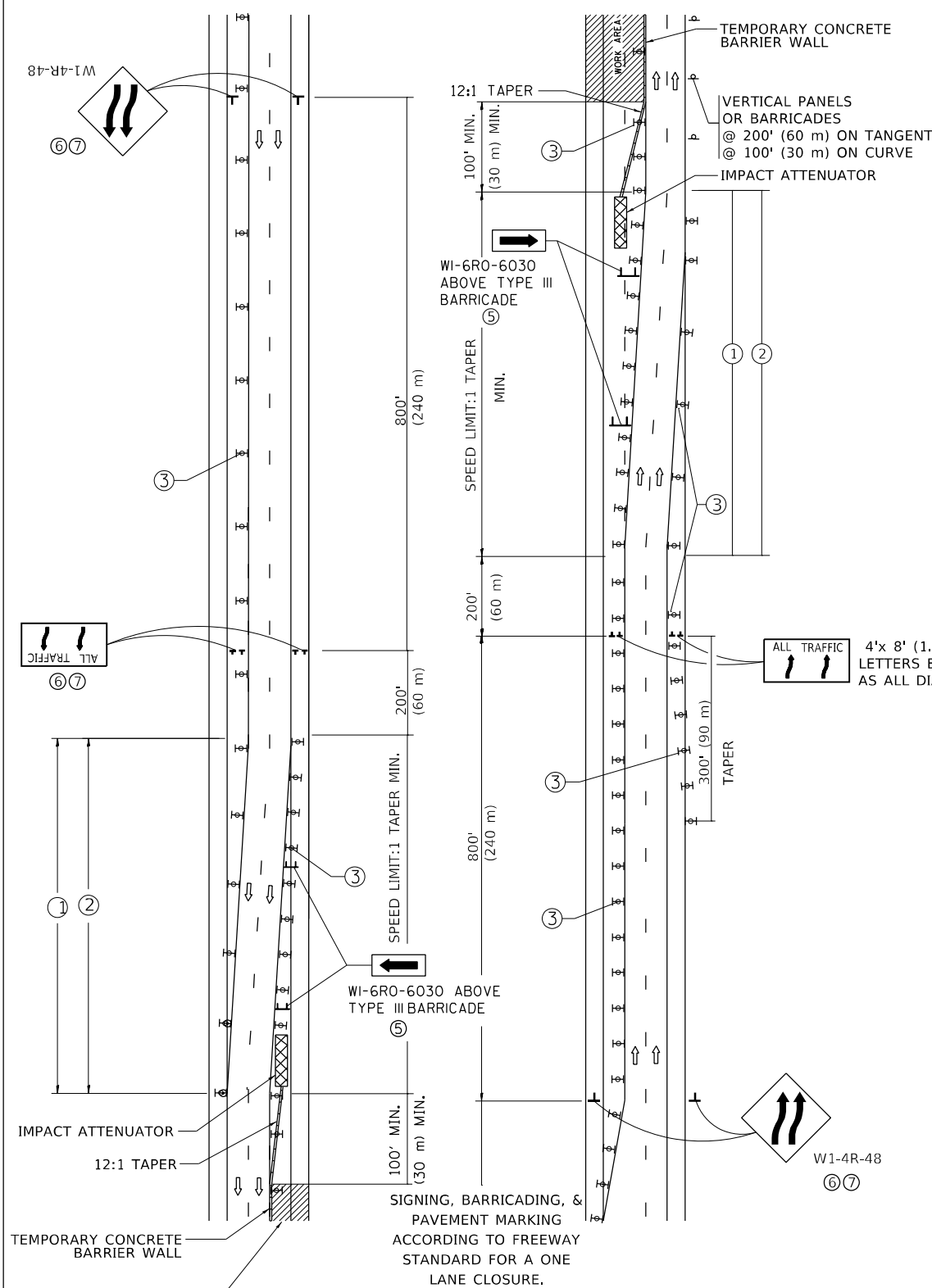




# SINGLE LANE WEAVE



# MULTI-LANE WEAVE



### GENERAL NOTES:

- ① EXISTING CONFLICTING PAVEMENT MARKING LINES SHALL BE REMOVED. PAVEMENT MARKING REMOVAL SHALL NOT BE REQUIRED FOR SINGLE LANE WEAVES UNDER 4 DAYS IN DURATION.
- ② CONTINUOUS REFLECTIVE TEMPORARY PAVEMENT MARKING TAPE SHALL BE PLACED THROUGHOUT THE TAPER AND FOR 300' (90 m) ALONG SIDE THE WORK AREA WHERE THE CLOSURE TIME IS GREATER THAN FOURTEEN DAYS. THE LEFT EDGE LINE SHALL BE YELLOW AND THE RIGHT EDGE LINE SHALL BE WHITE. FOR MULTI-LANE WEAVES LANE LINES SHALL BE 5 INCH, 10'-30' (3 m-9 m) SKIP DASH, WHITE.
- ③ PLASTIC DRUMS WITH STEADY BURN LIGHTS AT 50' (15 m) C-C SPACING IN TAPERS AND 100' (30 m) C-C SPACING IN TANGENTS.
- ④ ALL SIGNS SHALL BE POST MOUNTED IF THE CLOSURE TIME EXCEEDS FOUR DAYS.
- ⑤ TYPE III BARRICADES MAY BE OMITTED FOR SINGLE-LANE WEAVES UNDER 24-HOURS IN DURATION. W1-6 SIGNS WILL STILL BE REQUIRED. IF THE WIDTH OF OFFSET IS LESS THAN 6' THEN THE TYPE III BARRICADE WITH ATTACHED ARROW SIGN PANEL CAN BE ELIMINATED IN THE TAPER AREAS.
- ⑥ WHEN THE LENGTH OF THE SHIFTED SEGMENT (DISTANCE BETWEEN WEAVE POINTS) IS LESS THAN 1500', DOUBLE REVERSE CURVE SIGNS (W24-1) SHOULD BE USED INSTEAD OF THE REVERSE CURVE (W1-4) SIGNS. ARROWS ON THE 4'X8' "ALL TRAFFIC" SIGNS SHALL BE THE SAME SHAPE.
- ⑦ THE NUMBER OF ARROWS ON THESE SIGNS SHALL MATCH THE NUMBER OF LANES OPEN TO TRAFFIC.

### SYMBOLS

- DIRECTION OF TRAFFIC
- WORK AREA
- SIGN ON PORTABLE OR PERMANENT SUPPORT
- TYPE II BARRICADE OR DRUM WITH MONO-DIRECTIONAL STEADY BURNING LIGHT
- TEMPORARY CONCRETE BARRIER WALL
- IMPACT ATTENUATOR
- W1-4R-48
- W24-1-48

ALL DIMENSIONS ARE IN INCHES (MILLIMETERS) UNLESS OTHERWISE SHOWN

MODEL: Default  
FILE NAME: p:\bulletect-pw-bentley.com\p\w\DOT\Documents\DOT Office\District: 11\project\1120022\CADD\data\Design\BRTS\td.dgn

USER NAME = Rodrigo.Ledezma	DESIGNED - D.W.S.	REVISED - J.A.F. 02-06
PLOT SCALE = 100,0000' / in.	CHECKED -	REVISED - S.P.B. 01-07
PLOT DATE = 10/19/2022	DATE - 02-87	REVISED - S.P.B. 12-09
		REVISED - M.D. 06-13

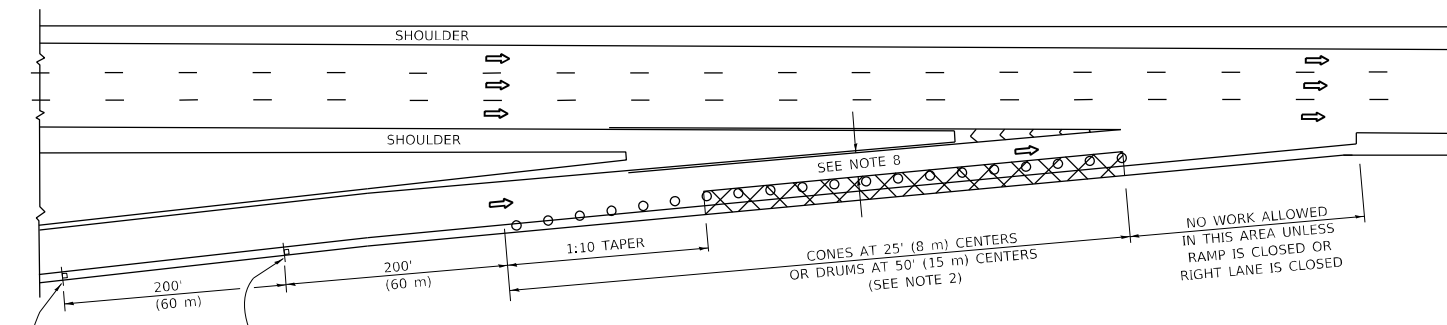
STATE OF ILLINOIS  
DEPARTMENT OF TRANSPORTATION

TRAFFIC CONTROL DETAILS FOR  
FREEWAY SINGLE & MULTI-LANE WEAVE

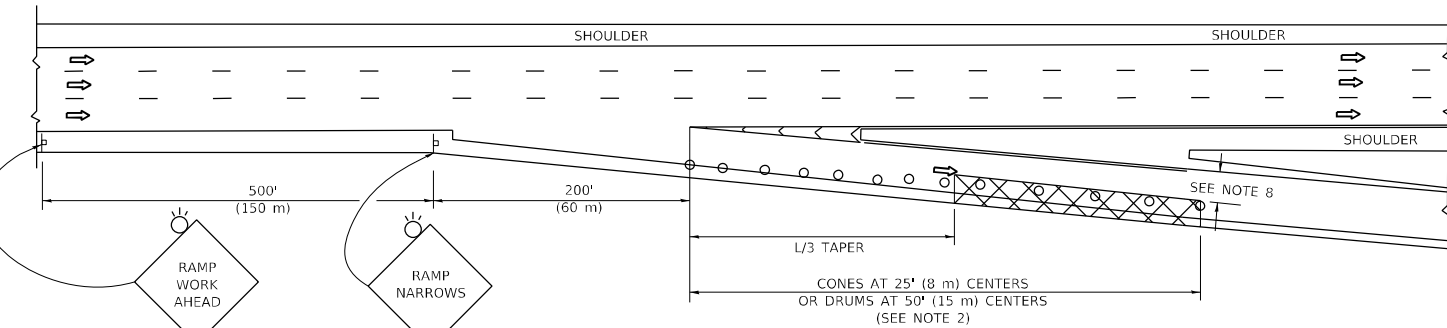
SCALE: NONE SHEET 1 OF 1 SHEETS STA. TO STA.

F.A. RTE.	SECTION	COUNTY	TOTAL SHEETS	SHEET NO.
VAR.	2022 SIGN 01	VARIOUS	13	11
TC-09		CONTRACT NO. 62U02		
ILLINOIS FED. AID PROJECT				

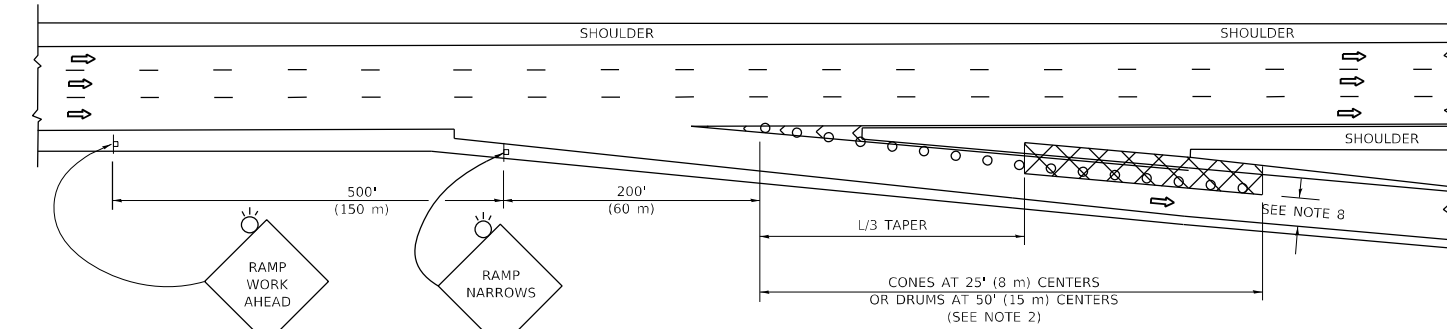
**PARTIAL RAMP CLOSURE DETAILS**



**TYPICAL ENTRANCE RAMP**



**TYPICAL EXIT RAMP**



**TYPICAL EXIT RAMP**

**SYMBOLS**

- ACTIVE WORK AREA
- SIGN ON PORTABLE OR PERMANENT SUPPORT
- FLAGGER WITH CONTROL SIGN
- TYPE II BARRICADE OR DRUM
- CONE, DRUM OR BARRICADE
- IMPACT ATTENUATOR OF TYPE AND TEST LEVEL SPECIFIED

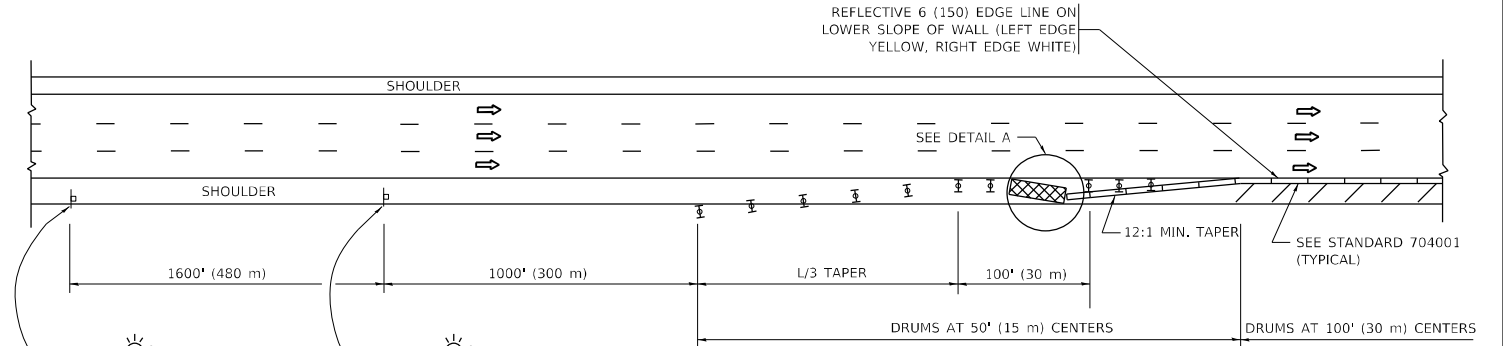
**GENERAL NOTES:**

- THE "L" DISTANCE EQUALS:  

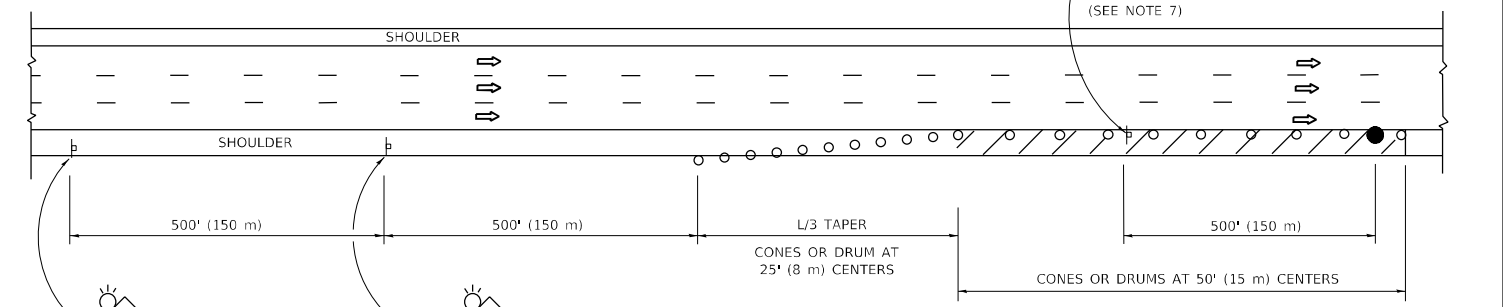
$L = \frac{S^2}{200}$	$L = \frac{S^2}{3.28}$
$L = \frac{S^2}{200}$	$L = \frac{S^2}{3.28}$

W = WIDTH OF OFFSET IN FEET (METERS)  
S = NORMAL POSTED SPEED MPH (KM/H)
- TYPE II BARRICADES OR DRUMS ARE REQUIRED FOR ALL NIGHTTIME CLOSURES. TYPE II BARRICADES OR DRUMS WITH MONODIRECTIONAL STEADY BURN LIGHTS ARE REQUIRED FOR DELINEATING OBSTACLES, EXCAVATIONS, OR HAZARDS EXCEEDING 100 FT (30m) IN LENGTH AT NIGHT.
- ALL SIGNS SHALL BE POST MOUNTED IF THE CLOSURE TIME EXCEEDS FOUR DAYS.
- FLASHING LIGHTS SHALL BE USED DURING THE HOURS OF DARKNESS AND SHALL BE INSTALLED ABOVE THE FIRST TWO SETS OF SIGNS.

**SHOULDER CLOSURE DETAILS**



**PERMANENT SHOULDER CLOSURE**



**TEMPORARY SHOULDER CLOSURE**

- THIS DETAIL IS USED WHERE:
- VEHICLES, EQUIPMENT, WORKERS OR THEIR ACTIVITIES ENCR OACH IN AN AREA CLOSER THAN 15' (4.5 m) TO THE EDGE OF PAVEMENT FOR A PERIOD IN EXCESS OF 15 MINUTES.



**DETAIL "A" IMPACT ATTENUATOR, TEMPORARY (SEE NOTE 5)**

- THE IMPACT ATTENUATOR, TEMPORARY IS NOT REQUIRED WHEN THE TEMPORARY CONCRETE BARRIER WALL IS PROTECTED BY OR IS TIED INTO THE EXISTING GUARDRAIL. IF OFFSET IS LESS THAN 5 FEET USE NARROW USE TYPE DEVICE TO MEET NCHRP350/MASH.
- AUTHORIZATION FROM THE DISTRICT'S BUREAU OF TRAFFIC IS REQUIRED FOR ALL FREEWAY CLOSURES.
- THE FLAGGER AND FLAGGER SIGN ARE REQUIRED AT THE ABOVE WORK SITES WHEN:
  - FOUR OR MORE WORK VEHICLES ENTER THE TRAFFIC LANES IN A ONE HOUR PERIOD.
  - THE WORK AVTIVITY REQUIRES FREQUENT ENCR OACHMENT INTO THE LANE OPEN TO TRAFFIC.
 THE FLAGGER SHALL BE STATIONED APPROXIMATELY 100' (30 m) TO 200' (60 m) IN ADVANCE OF THE WORKERS.
- 12' MIN. WIDTH TANGENT SECTION  
16' MIN. WIDTH CURVE SECTION.
- TEMPORARY SHOULDER AND NON-SYSTEM INTERCHANGE PARTIAL RAMP CLOSURES ARE ALLOWED WEEKDAYS BETWEEN 9:00 A.M. AND 3:00 P.M. AND BETWEEN 7:00 P.M. AND 5:00 A.M. OR AS APPROVED BY THE EXPRESSWAY TRAFFIC OPERATIONS ENGINEER. PERMANENT SHOULDER AND PARTIAL RAMP CLOSURES WILL ONLY BE PERMITTED IF CALLED FOR IN THE PLANS OR AS APPROVED BY THE EXPRESSWAY OPERATIONS ENGINEER.

ALL DIMENSIONS ARE IN INCHES (MILLIMETERS) UNLESS OTHERWISE SHOWN.

MODEL: Default  
FILE NAME: \\pulsadot-paw-beadefy.com\PI\DOT\Documents\DOT Office\Dir\rdet\_1\Project\1120022\CADD\Drawings\Drawings\BRTS\Std.dgn

USER NAME = Rodrigo.Ledezma	DESIGNED -	REVISED - S.P.B. 12-09
	DRAWN - D.W.S.	REVISED - M.D. 06-13
PLOT SCALE = 100,0000' / in.	CHECKED -	REVISED - M.D. 01-18
PLOT DATE = 10/19/2022	DATE - 11-96	REVISED - M.D. 10-20

**STATE OF ILLINOIS  
DEPARTMENT OF TRANSPORTATION**

**TRAFFIC CONTROL DETAILS FOR FREEWAY  
SHOULDER CLOSURES AND PARTIAL RAMP CLOSURES**

SCALE: NONE SHEET 1 OF 1 SHEETS STA. TO STA.

F.A. RTE.	SECTION	COUNTY	TOTAL SHEETS	SHEET NO.
VAR.	2022 SIGN 01	VARIOUS	13	12
<b>TC-17</b>		CONTRACT NO.	62U02	
ILLINOIS FED. AID PROJECT				

