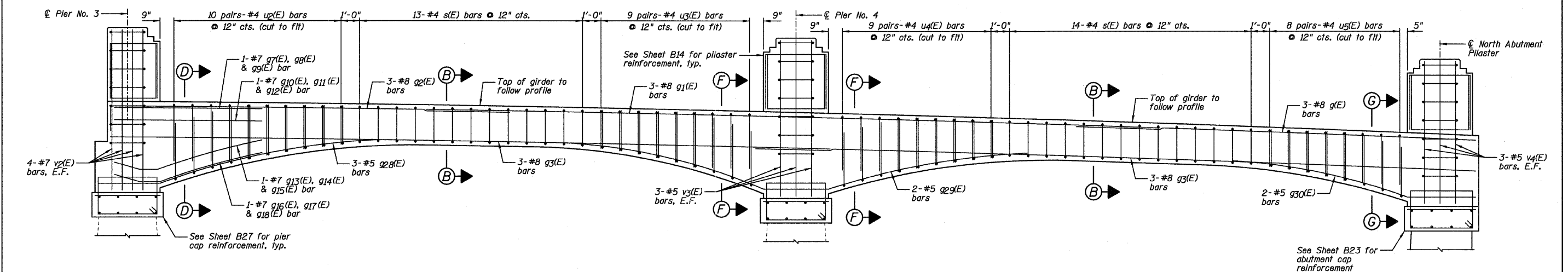


GIRDER ELEVATION
(Showing dimensions)
* Elevation adjusted for deadload deflection.



GIRDER ELEVATION
(Showing reinforcement)

MIN. BAR LAP
#7 - 5'-10"
#8 - 4'-0"
* #8 - 4'-6"
* Class A top bar

- NOTES:**
- 1.) See Sheet B12 for Sections B-B, D-D, F-F and G-G.
 - 2.) See Sheet B14 for Superstructure Details and Bill of Material.

Farnsworth GROUP, INC. 2709 McGraw Drive Bloomington, Illinois 61704 309/693-8435, 309/693-1971 fax	DESIGNED - JML/JCZ	REVISED	GENEVA PARK DISTRICT GENEVA, ILLINOIS	SUPERSTRUCTURE GIRDERS ISLAND PARK NORTH BRIDGE SHEET NO. B11 OF 31 SHEETS	F.A. RTE.	SECTION	COUNTY	TOTAL SHEETS	SHEET NO.
	CHECKED - JML	REVISED			N/A	06-P4005-00-BR	KANE	42	20
	DRAWN - DJM	REVISED			CONTRACT NO. 63643				
	DATE - 10/17/11	CHECKED - MSW			REVISED	ILLINOIS FED. AID PROJECT			