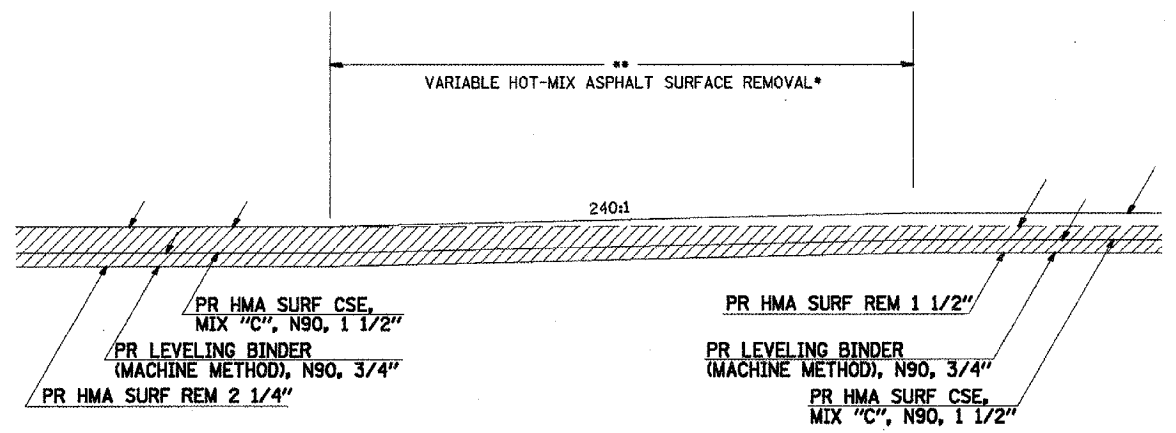


F.A.P. RTE.	SECTION	COUNTY	TOTAL SHEETS	SHEET NO.
328	*	WAYNE & WHITE	15	12
STA. 448+99		TO STA. 61+90		
FED. ROAD DIST. NO.		ILLINOIS FED. AID PROJECT		
* (104.105)RS-4, (108)RS-3				

MILLING TAPER DETAIL
TRANSITION INTO AND OUT OF INLAY SECTIONS

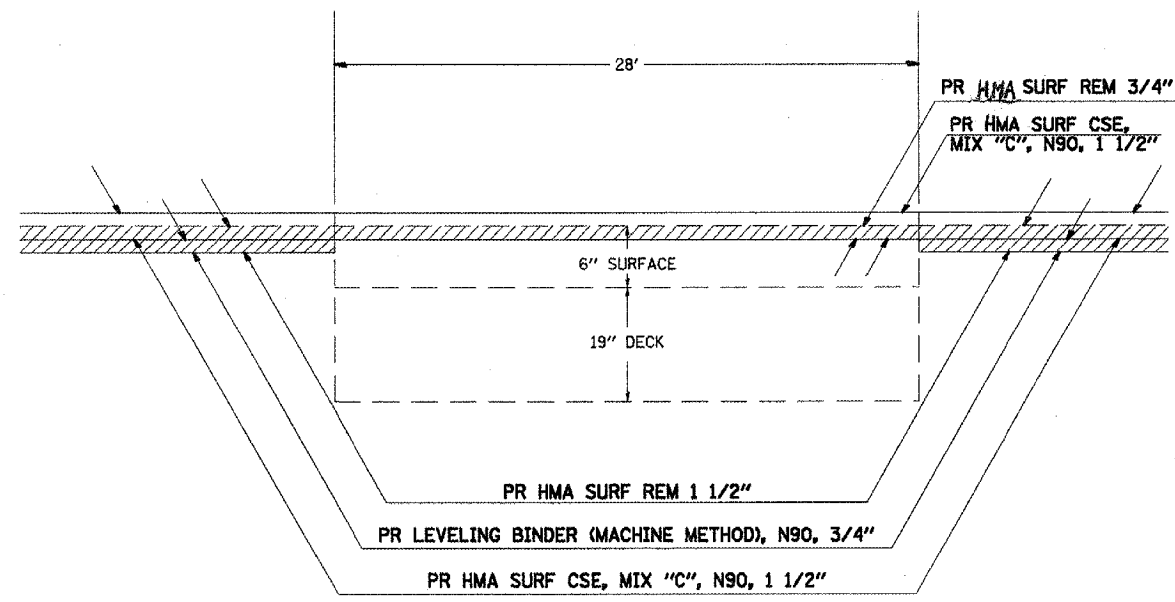


* VARIABLE DEPTH HOT-MIX ASPHALT SURFACE REMOVAL WILL BE PAID FOR AS HOT-MIX ASPHALT SURFACE REMOVAL 1 1/2"

**TAPER LENGTH AS DIRECTED BY THE ENGINEER TO MAINTAIN 240:1 TAPER RATIO.

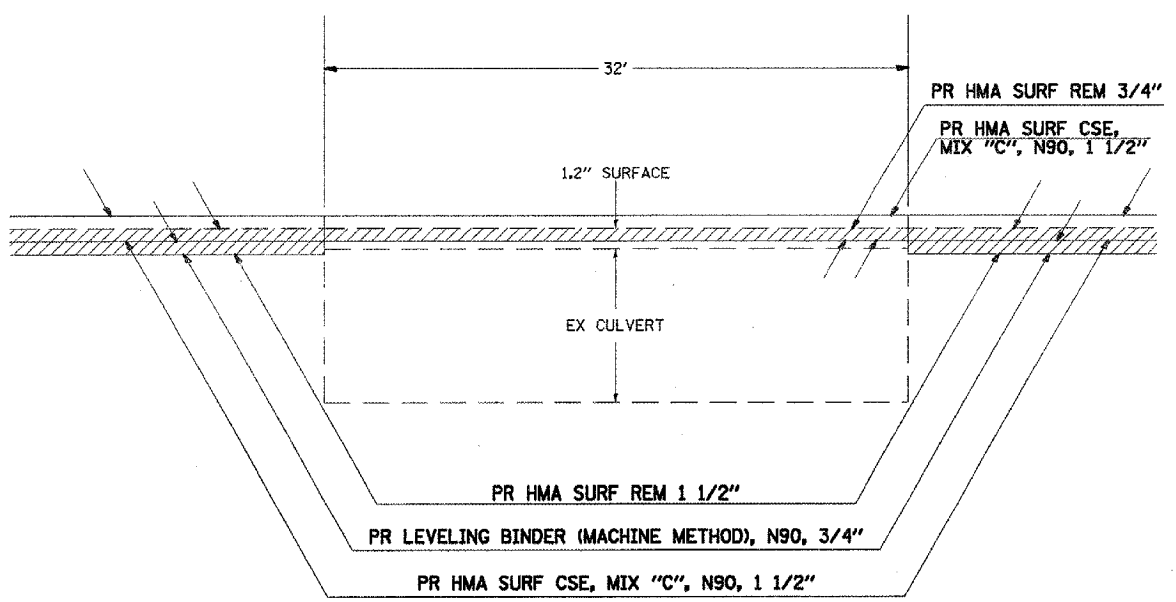
TO BE USED:
 STA 470+06 BEGINNING OF INLAY AT MILL SHOALS
 STA 509+00 END OF INLAY AT MILL SHOALS
 STA 688+74 BEGINNING OF INLAY
 STA 696+27 END OF INLAY
 STA 18+41 BEGINNING OF INLAY AT ENFIELD
 STA 22+53 END OF INLAY AT ENFIELD
 STA 61+28 BEGINNING OF INLAY AT IL 14

STRUCTURE DETAIL
SN 097-0020



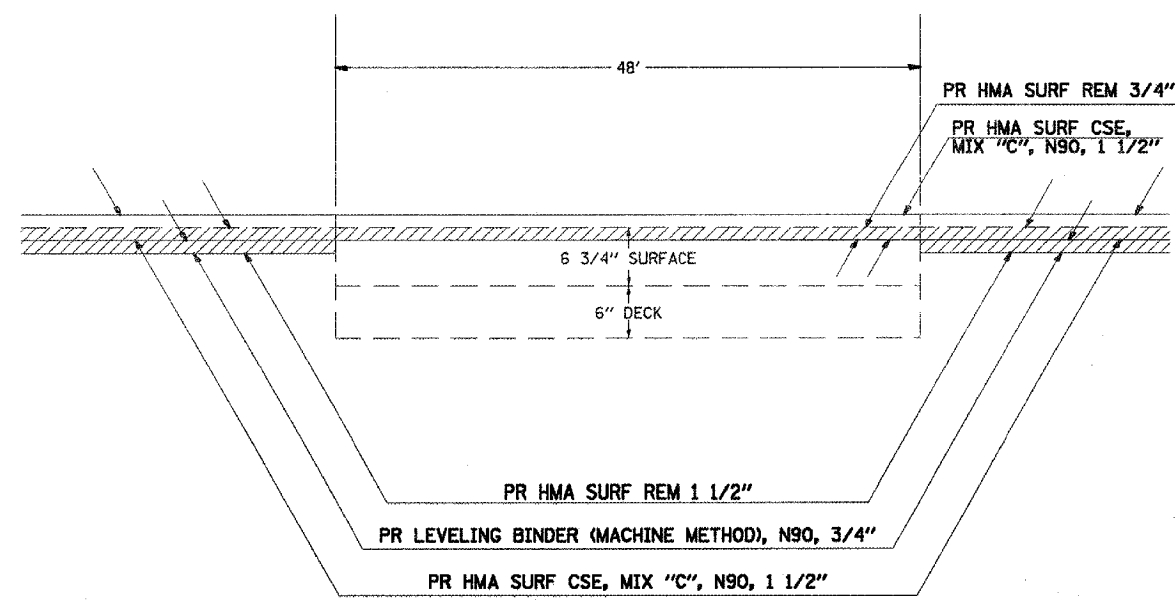
TO BE USED:
 STA 614+69 TO STA 614+97

STRUCTURE DETAIL
SN 097-0063



TO BE USED:
 STA 931+87 TO STA 932+19

STRUCTURE DETAIL
SN 097-0023



TO BE USED:
 STA 954+28 TO STA 954+76

PLOT DATE = 10/10/2006
 FILE NAME = c:\pvc\mca\p1\98961\98961.dgn
 PLOT SCALE = 1/8"=1'-0"
 USER NAME = rtorrey