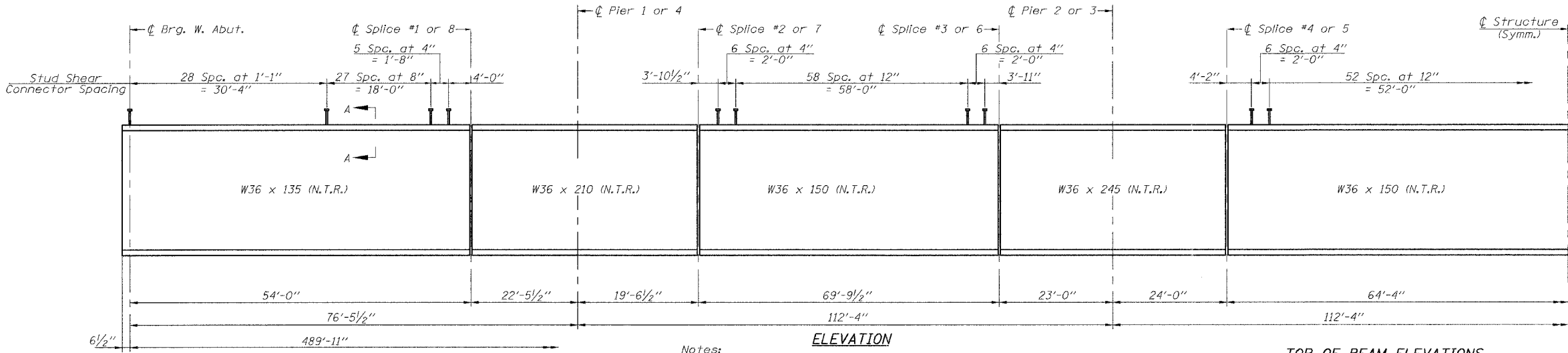
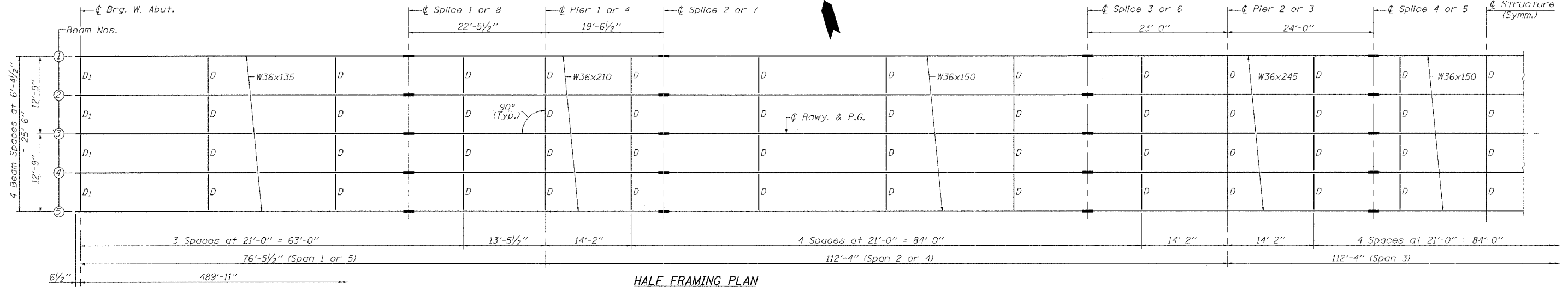


ROUTE NO.	SECTION	COUNTY	TOTAL SHEETS	SHEET NO.
F.A.P. 731	*	GREENE	30	13
FED. ROAD DIST. NO.		ILLINOIS	FED. AID PROJECT	
FEDERAL AID PROJECT				

\* 01-00071-00-BR  
**CONTRACT NO. 97289** Sheet No. 9 of 23 Sheets

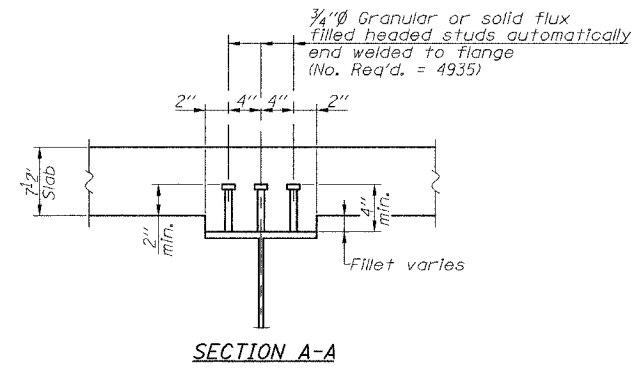


Notes:  
 N.T.R. denotes beams to which Notch Toughness requirements are applicable.  
 All structural steel shall be A.A.S.H.T.O. M 270, Grade 50W.

**TOP OF BEAM ELEVATIONS**

LOCATION	Beam #1	Beam #2	Beam #3	Beam #4	Beam #5
W. Abut. Brg.	96.626	96.726	96.826	96.726	96.626
Splice #1 (W)	95.965	96.065	96.165	96.065	95.965
Splice #1 (E)	96.013	96.113	96.213	96.113	96.013
Pier #1	95.783	95.883	95.983	95.883	95.783
Splice #2 (W)	95.583	95.683	95.783	95.683	95.583
Splice #2 (E)	95.548	95.648	95.748	95.648	95.548
Splice #3 (W)	94.875	94.975	95.075	94.975	94.875
Splice #3 (E)	94.885	94.985	95.085	94.985	94.855
Pier #2	94.655	94.755	94.855	94.755	94.655
Splice #4 (W)	94.415	94.515	94.615	94.515	94.415
Splice #4 (E)	94.405	94.505	94.605	94.505	94.405
Splice #5 (W)	93.762	93.862	93.961	93.862	93.762
Splice #5 (E)	93.772	93.872	93.971	93.872	93.772
Pier #3	93.532	93.632	93.731	93.632	93.532
Splice #6 (W)	93.302	93.402	93.501	93.402	93.302
Splice #6 (E)	93.292	93.392	93.491	93.392	93.292
Splice #7 (W)	92.569	92.669	92.769	92.669	92.569
Splice #7 (E)	92.604	92.704	92.804	92.704	92.604
Pier #4	92.413	92.513	92.613	92.513	92.413
Splice #8 (W)	92.194	92.294	92.394	92.294	92.194
Splice #8 (E)	92.146	92.246	92.346	92.246	92.146
E. Abut. Brg.	91.727	91.827	91.926	91.827	91.727

Notes: Top of beam elevations are for fabrication only and do not include dead load deflections.



**STRUCTURAL STEEL DETAILS**  
 E.A.S. 731 - C.H. 2  
 OVER APPLE CREEK  
 SECTION 01-00071-00-BR  
 GREENE COUNTY