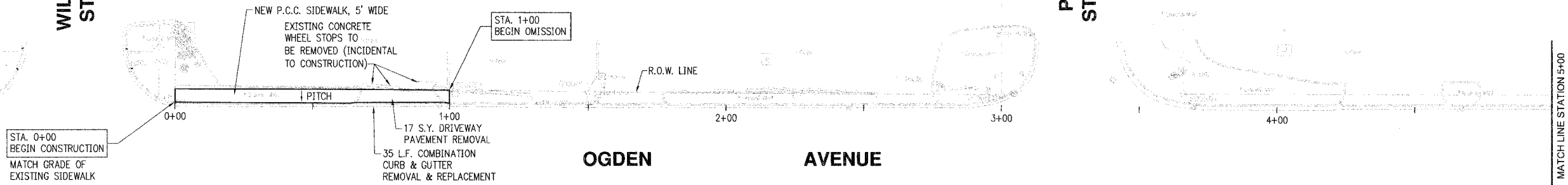


F.A.P. RTE.	SECTION	COUNTY	TOTAL SHEETS	SHEET NO.
06-00096-00-SW	DU PAGE	ILLINOIS	16	8
FEDERAL RD. DIST. NO.	ILLINOIS FEDERAL AID PROJECT			
CONTRACT: 83851				

WILLIAMS STREET

PARK STREET



MATCH LINE STATION 5+00



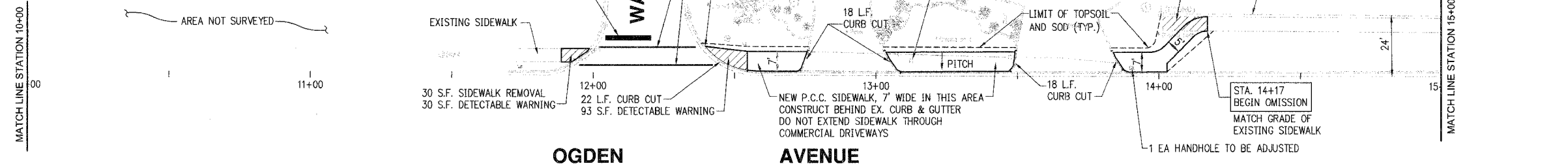
OGDEN AVENUE

LIBERTY BLVD.

OGDEN AVENUE



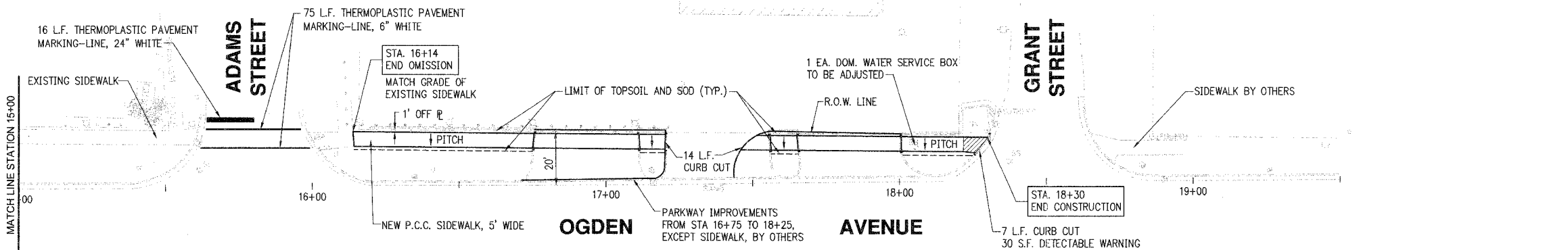
WASHINGTON STREET



OGDEN AVENUE

ADAMS STREET

GRANT STREET



OGDEN AVENUE

no.	date	by	ckd	description
date	11-11-05	detailed	J. HOLZINGER	
designed	M. KUNTZ	checked	A. BRYANT	
VILLAGE OF WESTMONT 2006 CMAQ SIDEWALK PROJECT OGDEN AVENUE PLAN WILLIAMS STREET TO GRANT STREET				
project	39606	contract		
drawing		rev.		
sheet	8	of	16	sheets
file: \\WESTMONT\39606-2006 SW DESIGN\CAD\BID\39606CP003				