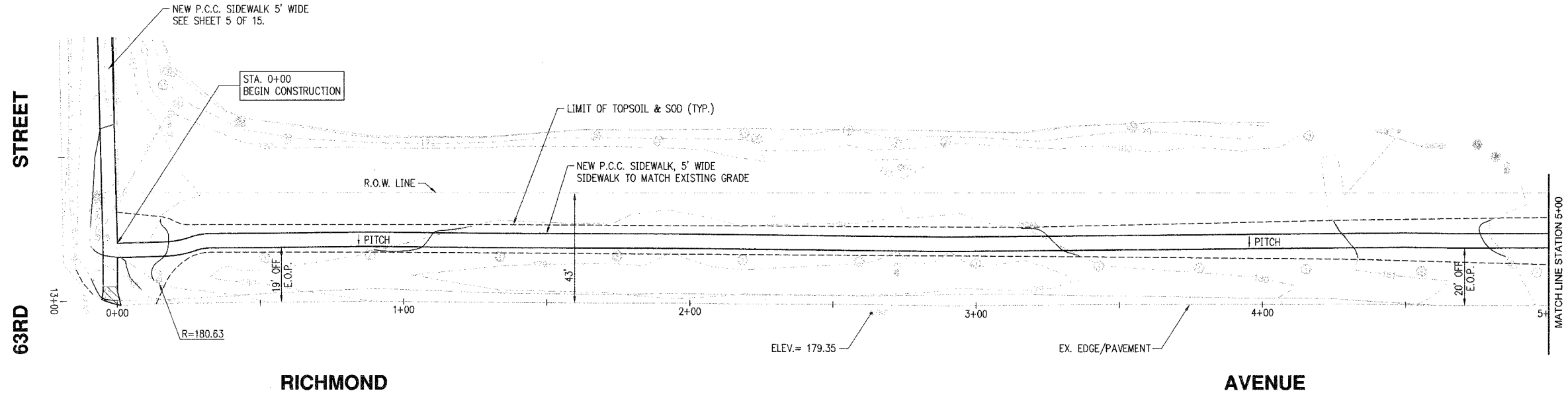
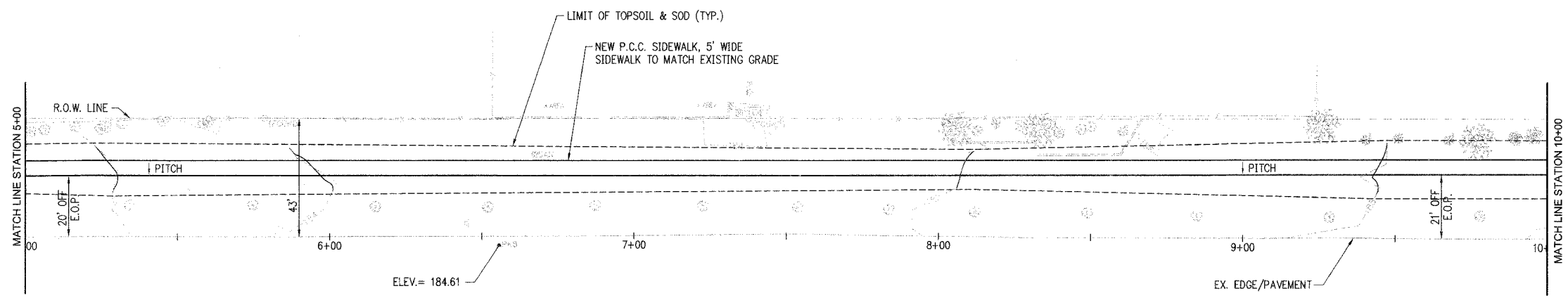


F.A.P. RTE.	SECTION	COUNTY	TOTAL SHEETS	SHEET NO.
06-00096-00-SW	DU PAGE	ILLINOIS	16	6
FEDERAL RD. DIST. NO.	ILLINOIS	FEDERAL AID PROJECT		
CONTRACT: 83851				

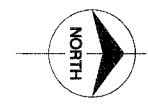


63RD STREET **RICHMOND AVENUE**



RICHMOND AVENUE

B.M. NE FLNG BOLT ON FIRE HYDRANT
ELEV. = 185.42



no.	date	by	ckd	description
-----	------	----	-----	-------------

--	--	--	--	--



date	11-11-05	detailed	G. ALVAREZ
designed	M. KUNTZ	checked	A. BRYANT



VILLAGE OF WESTMONT	
2006 CMAQ SIDEWALK PROJECT	
RICHMOND AVENUE PLAN	
63RD STREET TO STA. 10+00	
project	contract
39606	
drawing	rev.
sheet 6	of 16 sheets
file: WESTMONT\39606-2006 SW DESIGN\CAD\BID\39606CP005	