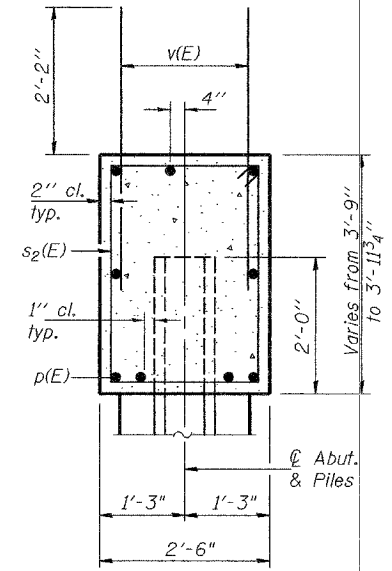
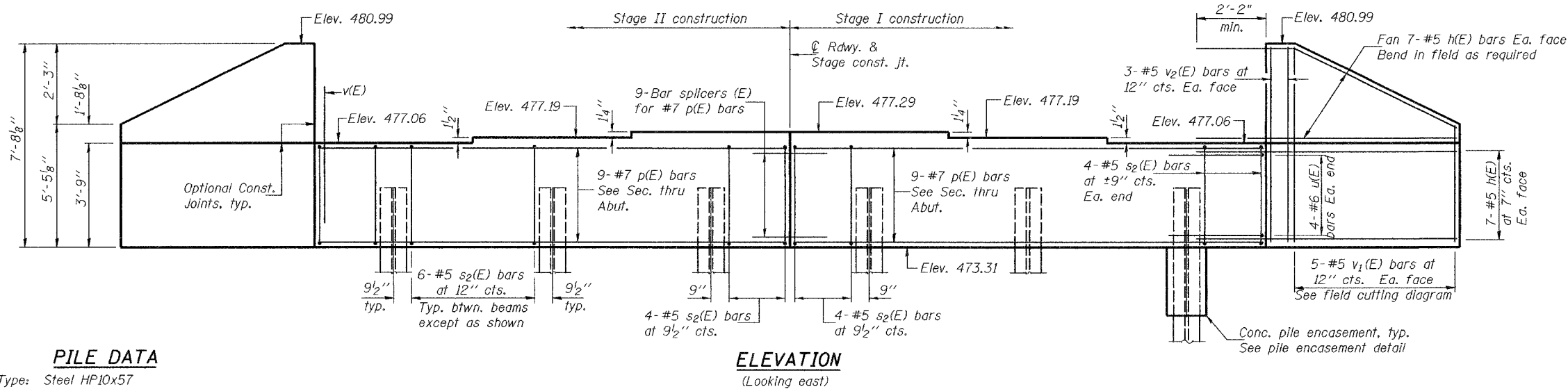


Notes: Pour steps monolithically with cap.
For anchor bolt installation details, see sheet 14 of 25.
For bar splicer assembly details, see sheet 21 of 25.

STATE OF ILLINOIS
DEPARTMENT OF TRANSPORTATION

ROUTE NO.	SECTION	COUNTY	DATE	SHEET	SHEET NO. 16 25 SHEETS
FAP 789	54BR-1	MADISON	02	40	
FED. ROAD DIST. NO. 7	ILLINOIS	FED. AID PROJECT-			

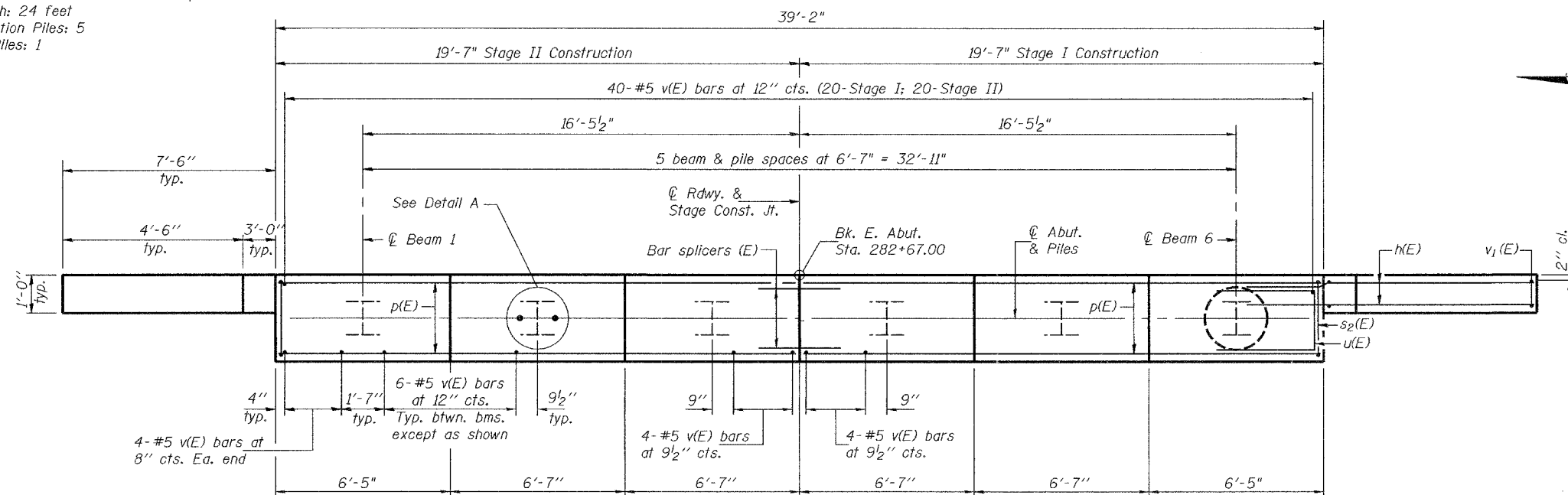
Contract #76864



PILE DATA

Type: Steel HP10x57
Nominal Required Bearing: 454 kips
Factored Resistance Available: 227 kips
Est. Length: 24 feet
No. Production Piles: 5
No. Test Piles: 1

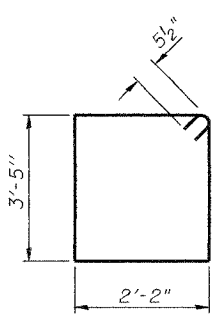
ELEVATION
(Looking east)



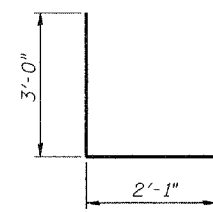
PLAN

BILL OF MATERIAL

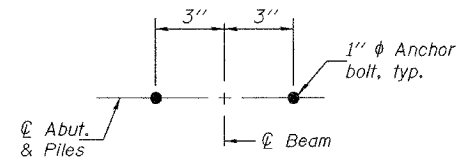
Bar	No.	Size	Length	Shape
h(E)	56	#5	10'-0"	
p(E)	18	#7	19'-3"	
s2(E)	40	#5	12'-1"	
u(E)	8	#6	8'-1"	
v(E)	80	#5	4'-4"	
v1(E)	10	#5	12'-5"	
v2(E)	12	#5	7'-4"	
Concrete Structures		Cu. Yd.	17.9	
Reinforcement Bars, Epoxy Coated		Pound	2480	
Structure Excavation		Cu. Yd.	90	
Furnishing Steel Piles HP10x57		Foot	120	
Driving Piles		Foot	120	
Test Pile Steel HP10x57		Each	1	
Concrete Encasement		Cu. Yd.	1.6	
Anchor Bolts 1"		Each	12	



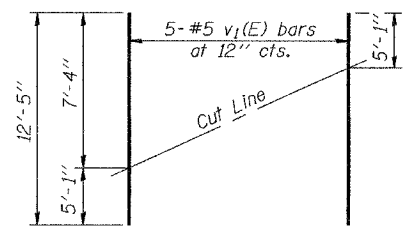
BAR s2(E)



BAR u(E)

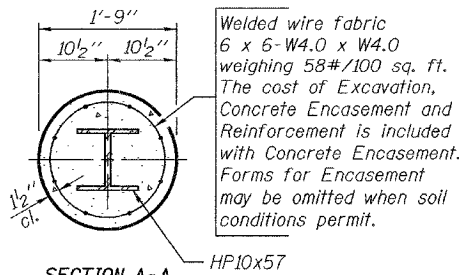


DETAIL A



FIELD CUTTING DIAGRAM

Order v1(E) full length. Cut as shown and use remainder of bars in opposite face.



SECTION A-A

PILE ENCASUREMENT DETAIL

Welded wire fabric 6 x 6-W4.0 x W4.0 weighing 58#/100 sq. ft. The cost of Excavation, Concrete Encasement and Reinforcement is included with Concrete Encasement. Forms for Encasement may be omitted when soil conditions permit.

DESIGNED	Curt M. Evoy
CHECKED	Nick R. Barnett
DRAWN	h.t. duong
CHECKED	CME/NRB

EXAMINED	Thomas J. Damagala	Nov. 15, 2006
PASSED	Ralph E. Anderson	

EAST ABUTMENT
F.A.P. RTE. 789 - SEC. 54BR-1
MADISON COUNTY
STATION 280+73
STRUCTURE NO. 060-0340