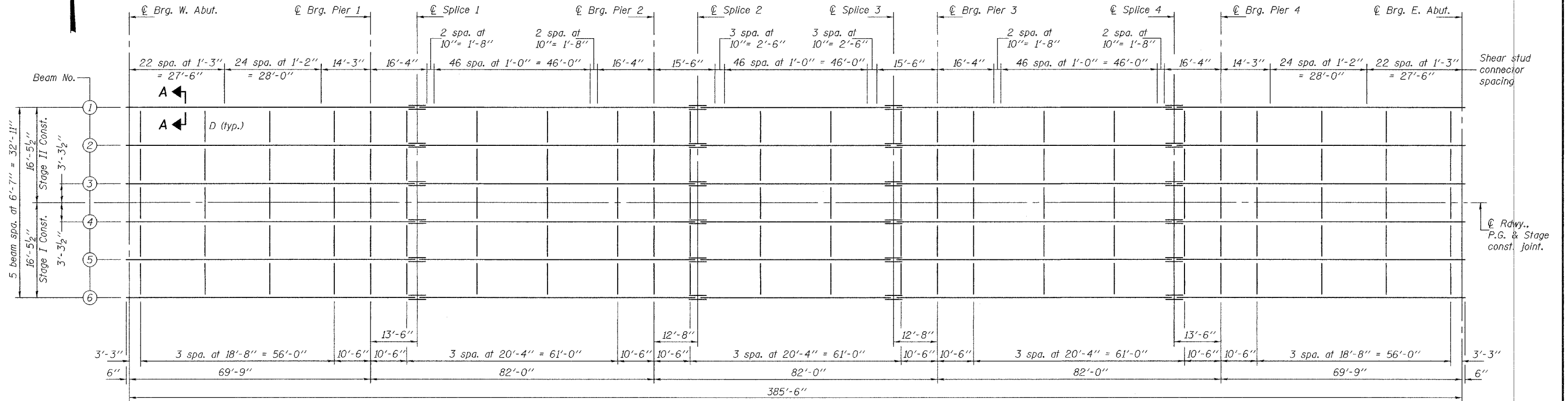


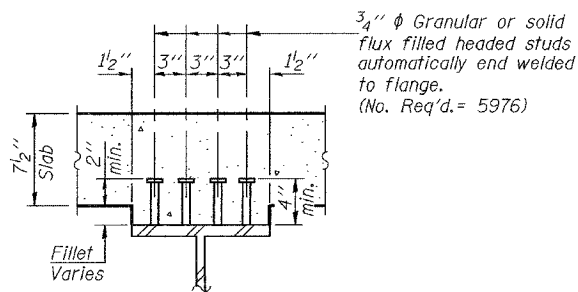
STATE OF ILLINOIS
DEPARTMENT OF TRANSPORTATION

ROUTE NO.	SECTION	COUNTY	SHEETS	SHEET NO.	SHEET NO. 12
FAP 789	54BR-1	MADISON	62	36	25 SHEETS
FED. ROAD DIST. NO. 7	ILLINOIS	FED. AID PROJECT	Contract #76864		

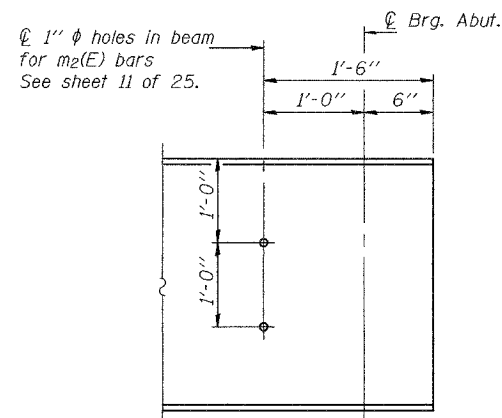


PLAN

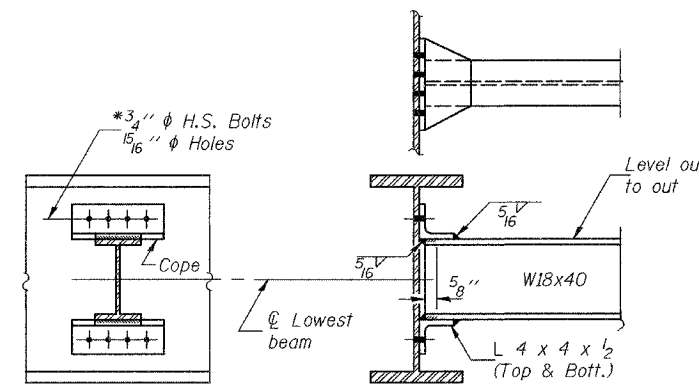
All beams shall be W36x150 (NTR)



SECTION A-A



TYP. END OF BEAM ELEVATION



DIAPHRAGM D

120 Required

Notes: Load carrying components designated "NTR" shall conform to the Supplemental Requirements for Notch Toughness, Zone 2.
All cross frames or diaphragms shall be installed as steel is erected and secured with erection pins and bolts except as otherwise noted. Individual cross frames or diaphragms at supports may be temporarily disconnected to install bearing anchor rods.

DESIGNED	Curt M. Evoy
CHECKED	Nick R. Barnett
DRAWN	h.t. duong
CHECKED	CME/NRB

EXAMINED	Thomas J. Domagala ENGINEER OF BRIDGES AND STRUCTURES
PASSED	Ralph E. Anderson ENGINEER OF BRIDGES AND STRUCTURES

Nov. 15, 2006

*Use 5/16" x 1 1/2" slotted holes in top and bottom connection angles at south side Beam 3 only. Provide 5/16" plate washers for slotted holes. Bolts shall be finger-tightened prior to the deck pour for Stage II Construction, then tightened after completion of the deck pour for Stage II Construction.

STRUCTURAL STEEL
F.A.P. RTE. 789 - SEC. 54BR-1
MADISON COUNTY
STATION 280+73
STRUCTURE NO. 060-0340