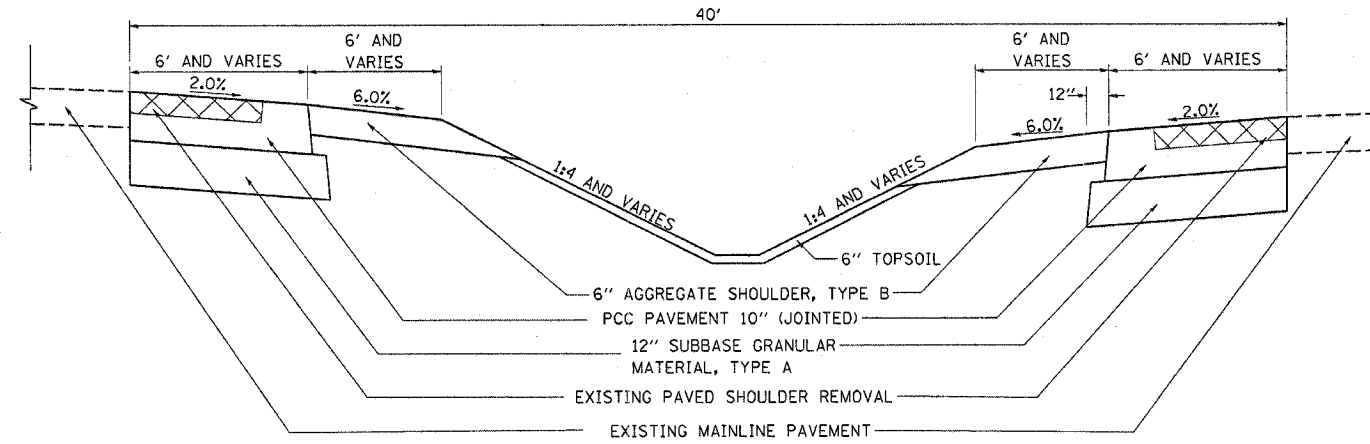


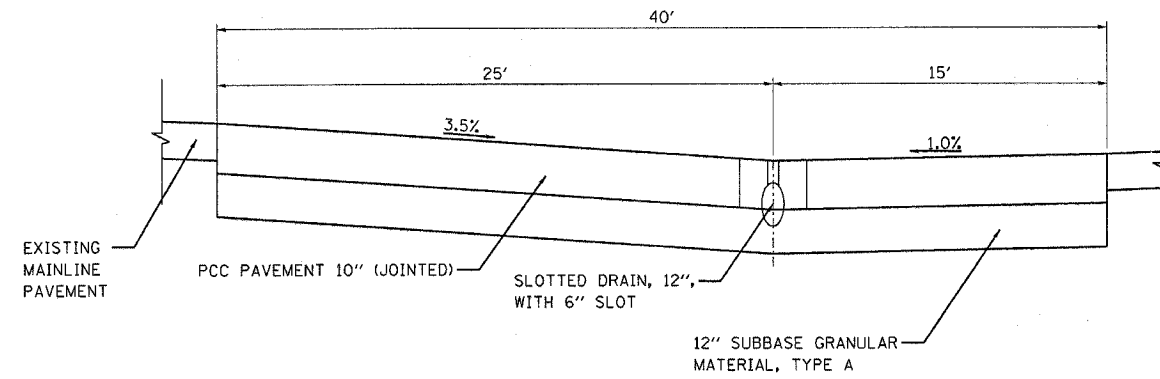
F.A.P. RTE.	SECTION	COUNTY	TOTAL SHEETS	SHEET NO.
301	(2,3,4) RS	WINNEBAGO	46	11
STA.		TO STA.		
FED. ROAD DIST. NO.		ILLINOIS FED. AID PROJECT		

# 40' MEDIAN CROSSOVERS TYPICAL SECTIONS



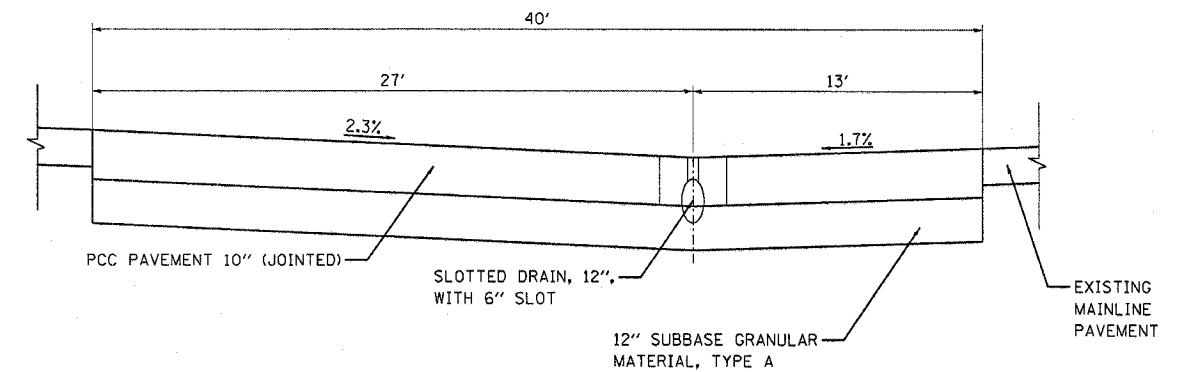
**MEDIAN APPROACHES (TYPICAL)**

STA. 818+12 TO STA. 820+32  
 STA. 821+68 TO STA. 823+88  
 STA. 860+10 TO STA. 862+30  
 STA. 863+70 TO STA. 865+90



**CROSSOVER #1**

STA. 820+32 TO STA. 821+68



**CROSSOVER #2**

STA. 862+30 TO STA. 863+70

PLOT DATE = Mon Oct 16 13:59:02 2006  
 PLOT SCALE = 4.0000 / IN.  
 USER NAME = nckleale

REVISIONS		ILLINOIS DEPARTMENT OF TRANSPORTATION
NAME	DATE	
		MEDIAN CROSSOVER TYPICAL SECTIONS  SCALE: VERT. N.T.S. HORIZ. N.T.S. DATE 9/27/06
DRAWN BY AJP		CHECKED BY DCZ