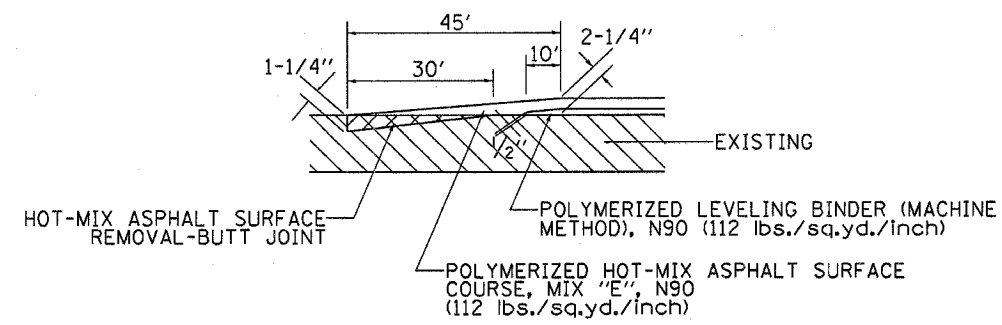


| F.A.P. RTE.         | SECTION   | COUNTY                    | TOTAL SHEETS | SHEET NO. |
|---------------------|-----------|---------------------------|--------------|-----------|
| 301                 | (2,3,4)BS | WINNEBAGO                 | 46           | 10        |
| S.T.A.              |           | TO STA.                   |              |           |
| FED. ROAD DIST. NO. |           | ILLINOIS FED. AID PROJECT |              |           |

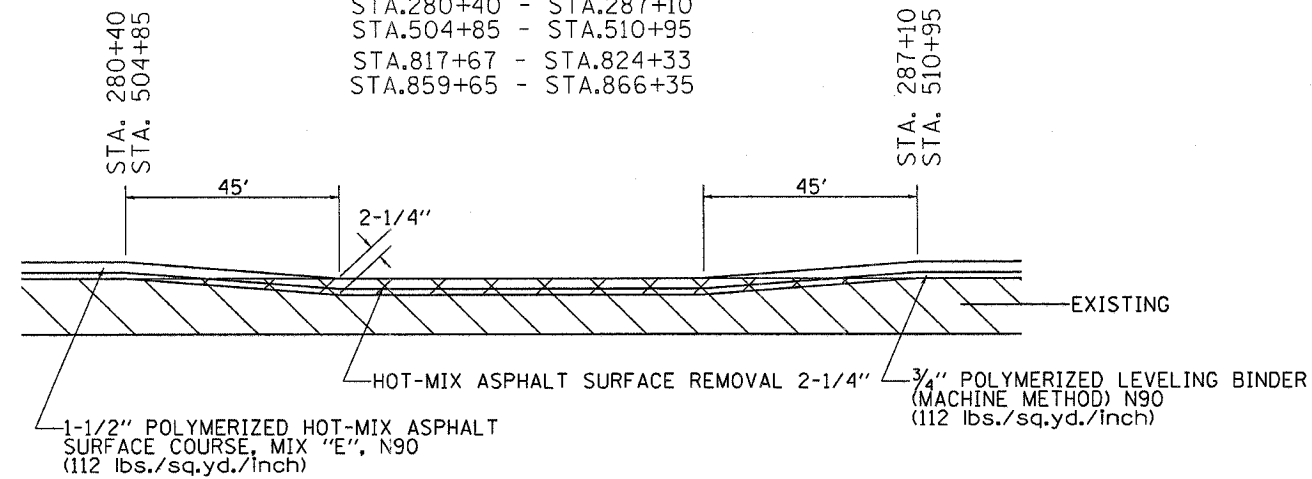
# TYPICAL SECTIONS

US20  
TYPICAL TAPER  
BUTT JOINT



US20  
TYPICAL TAPER

EASTBOUND AND WESTBOUND  
 STA.280+40 - STA.287+10  
 STA.504+85 - STA.510+95  
 STA.817+67 - STA.824+33  
 STA.859+65 - STA.866+35



PLOT DATE = Mon Oct 16 13:26:19 2006  
 FILE NAME = P:\Econ\US20\working\plan\37\typsect2.dgn  
 PLOT SCALE = 50,0000 / IN.  
 USER NAME = nckleale

| REVISIONS |      |
|-----------|------|
| NAME      | DATE |
|           |      |
|           |      |
|           |      |
|           |      |
|           |      |
|           |      |
|           |      |
|           |      |
|           |      |
|           |      |

ILLINOIS DEPARTMENT OF TRANSPORTATION

SCALE: VERT. \_\_\_\_\_  
 HORIZ. \_\_\_\_\_

DATE \_\_\_\_\_ DRAWN BY \_\_\_\_\_  
 CHECKED BY \_\_\_\_\_