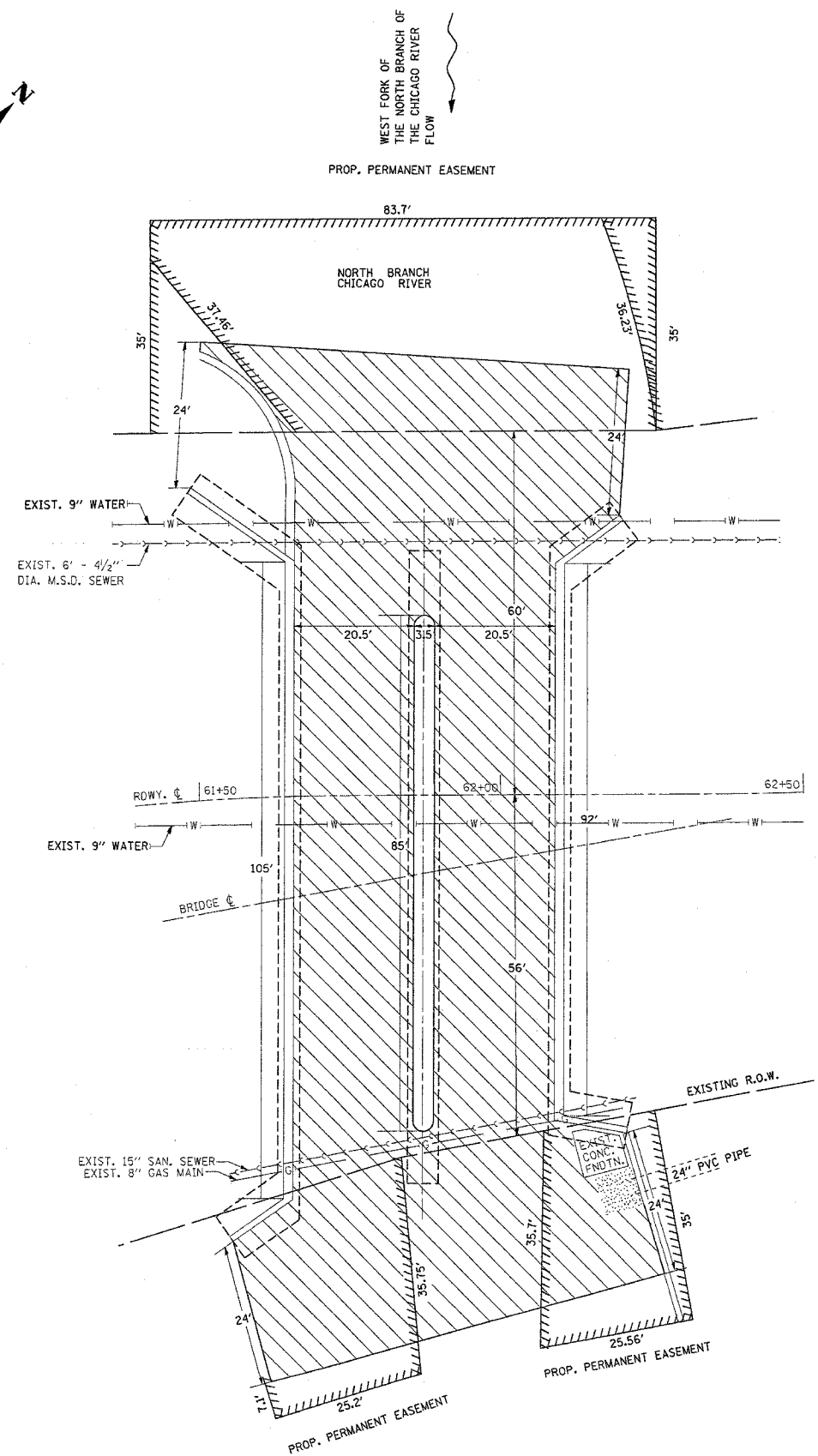
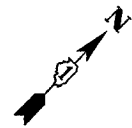
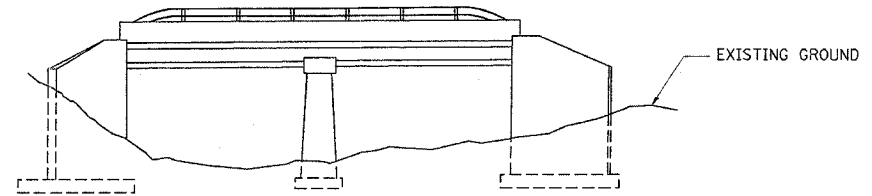


F.A. RTE.	SECTION	COUNTY	TOTAL SHEETS	SHEET NO.
VAR.	2003-0671	VARIOUS	23	8
STA.	TO STA.			
FED. ROAD DIST. NO.	ILLINOIS	FED. AID PROJECT		

62635



PLAN



ELEVATION

ACCESS TO THIS SITE IS LIMITED. THE CONTRACTOR SHALL ONLY ACCESS THIS SITE BY RAISING AND/OR LOWERING ALL EQUIPMENT AND MATERIAL OVER THE SIDES OF THE BRIDGE. THE CONTRACTOR WILL NOT BE ALLOWED OTHER ACCESS WITHOUT WRITTEN PERMISSION FROM THE ENGINEER. THIS WORK WILL NOT BE PAID FOR SEPARATELY, BUT SHALL BE CONSIDERED AS INCLUDED IN THE CONTRACT UNIT PRICES FOR THE CONSTRUCTION ITEMS INVOLVED AND NO ADDITIONAL COMPENSATION WILL BE ALLOWED

BM 1: BRASS MARKER SET IN CONCRETE, LOCATED 38" W. OF E. FACE AND 41' S. OF THE FACE OF A TWO STORY BRICK BUILDING AT 1930 PRAIRIE STREET.  
 EL. = 633.58 (VILLAGE ELEVATION).

BM 2:  CUT IN E. HEADWALL OF BRIDGE ON S. SIDE OF GLENVIEW ROAD OVER WEST FORK NORTH BRANCH OF CHICAGO RIVER.  
 EL. = 631.36 (VILLAGE ELEVATION)

REVISIONS	
NAME	DATE

ILLINOIS DEPARTMENT OF TRANSPORTATION  
**STR. NO. 016-0307**  
**IL. 43 WAUKEGAN RD. OVER**  
**THE WEST FORK OF THE NORTH**  
**BRANCH OF THE CHICAGO RIVER**  
**LOCATION 1**

SCALE: NONE  
 DATE

DRAWN BY  
 CHECKED BY