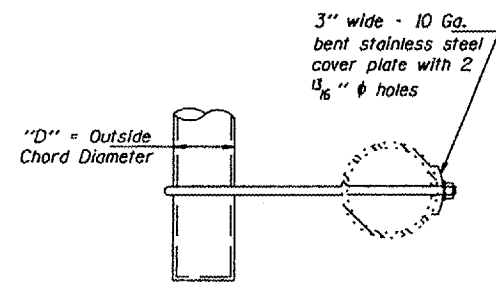
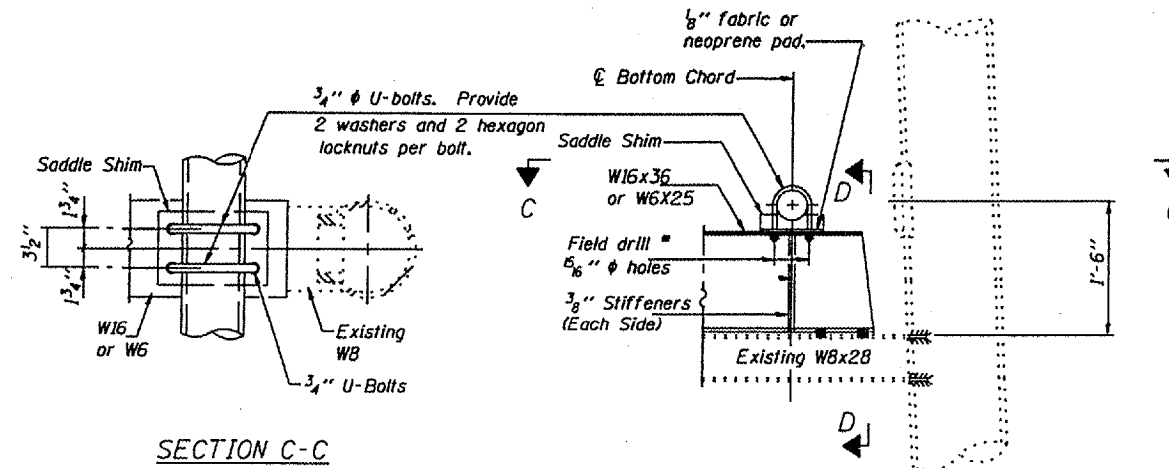


SIDE VIEW

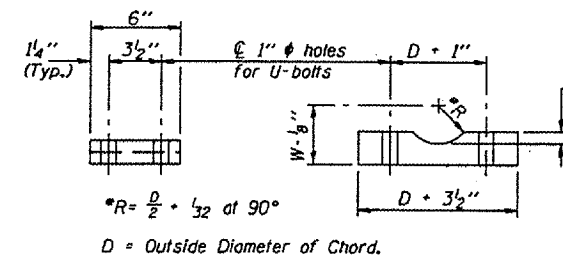


SECTION B-B



SECTION C-C

DETAIL C

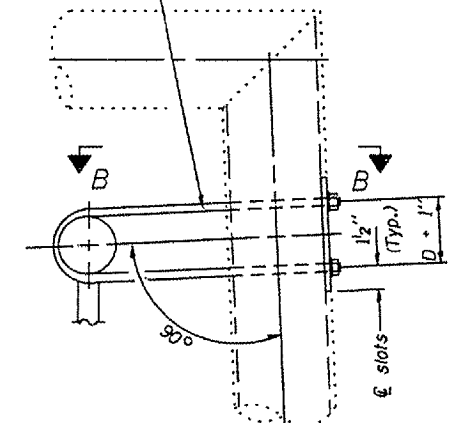


SADDLE SHIM DETAIL

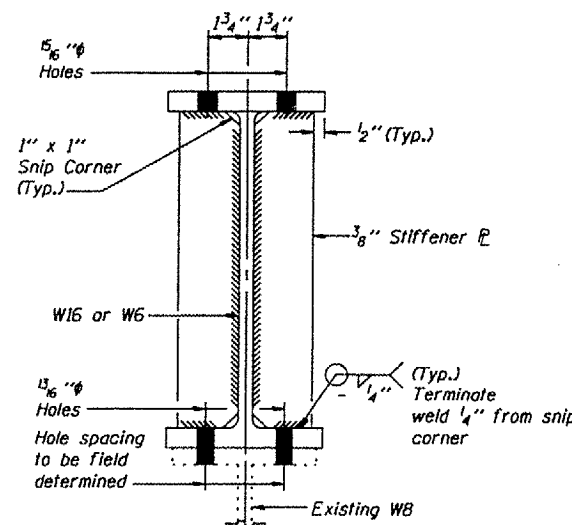
ASTM B25 Alloy 356-F
or
ASTM B209 Alloy 6061-T651
(4 required per sign truss)

Truss Chord Nominal Dia.	a	W
5 1/2"	13/16"	4 3/4"
6"	7/8"	4 3/4"
6 1/2"	5/8"	4 3/4"
7"	1"	4 3/4"
8 1/2"	1 1/4"	5 1/2"
9"	1 3/8"	5 3/4"

3/4" stainless steel U-bolt. Provide two washers and two hexagon locknuts. Field drill 13/16" holes through pipe, (4 holes required per pipe).



DETAIL A



SECTION D-D

OVERHEAD SIGN STRUCTURES
EXISTING SUPPORT FRAME
RETROFIT for ALUMINUM TRUSS

District 8
Overhead Sign
Structure Repair
and Replacement

DESIGNED	28
CHECKED	EXAMINED
DRAWN	PASSED
CHECKED	ENGINEER OF BRIDGES AND STRUCTURES