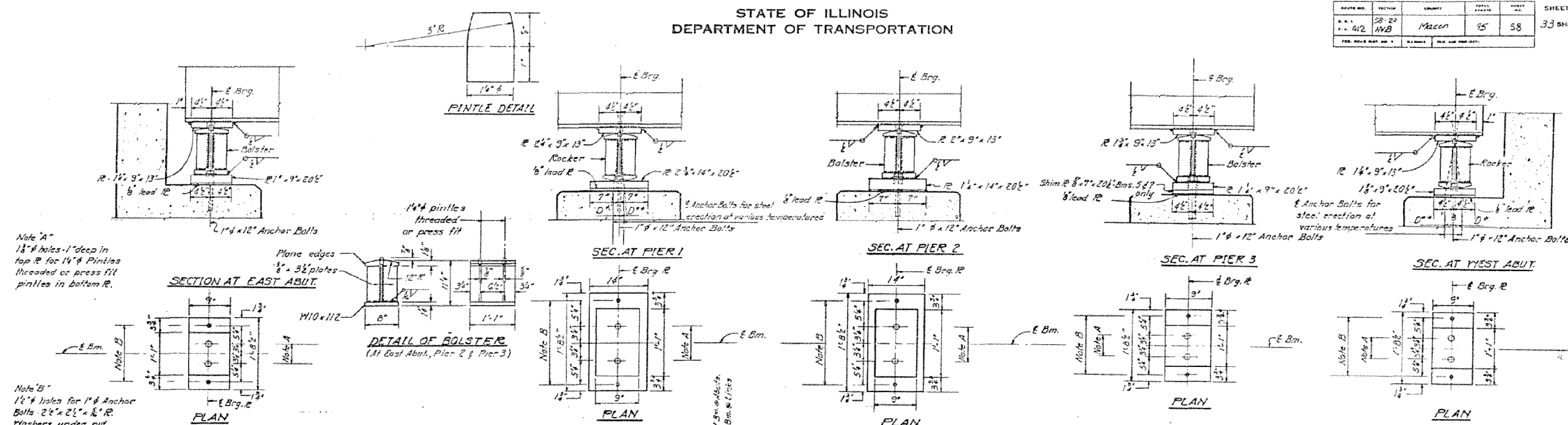


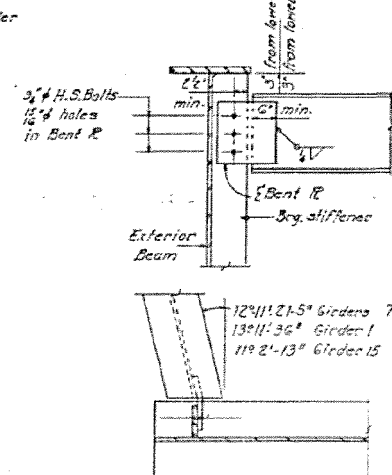
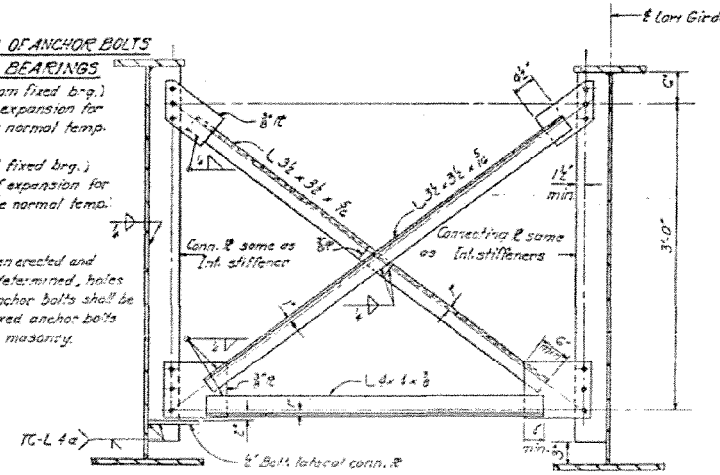
STATE OF ILLINOIS  
DEPARTMENT OF TRANSPORTATION

SECTION	QUANTITY	DATE	BY	NO.	SHEET NO. 22
412	MACON	95	58	33 SHEETS	



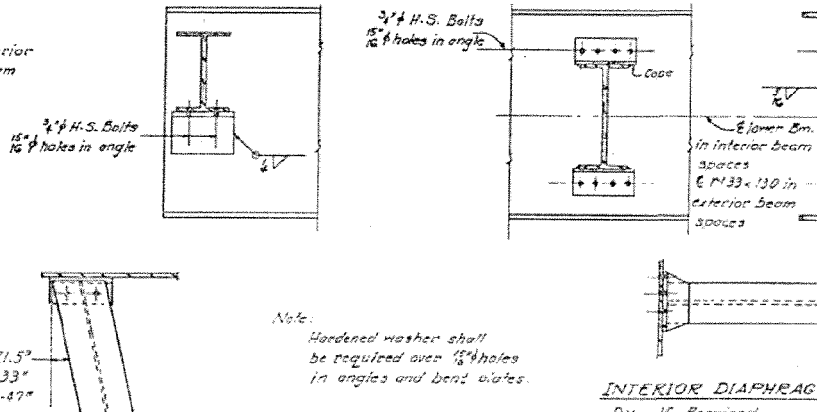
**NOTES FOR SETTING OF ANCHOR BOLTS AT EXPANSION BEARINGS**

- a) D' (Side of brg. away from fixed brg.) D'' = 1/8" per each 100' of expansion for every 15° fall below the normal temp. of 50°F.
- D'' (Side of brg. toward fixed brg.) D'' = 1/8" per each 100' of expansion for every 15° rise above the normal temp. of 50°F.
- b) After beams have been erected and dimensions D' & D'' determined, holes shall be drilled and anchor bolts shall be grouted in place. All fixed anchor bolts may be built into the masonry.

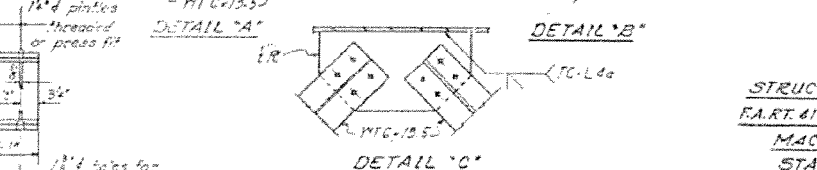
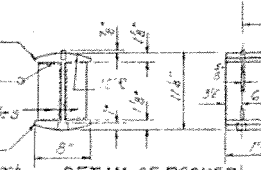
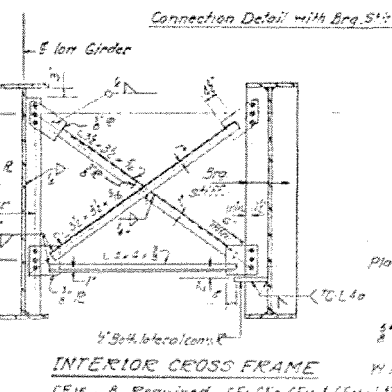


**END DIAPHRAGM**

- D - 18 Required
- D1 - 6 Req'd
- D2 thru D24 - 1 Req'd each
- D25 - 24 Req'd
- D26 - 6 Req'd
- D25 thru D36 - 1 Req'd each



DESIGNED	Suresh Desai	EXAMINED	Dec 19, 1875
CHECKED	John A. Mow	PASSED	
DRAWN	James R. ...	APPROVED	
CHECKED	John A.		



**STRUCTURAL STEEL**  
 PART 412 SEC. 58-20-11-B  
 MACON COUNTY  
 STA. 139+62.00