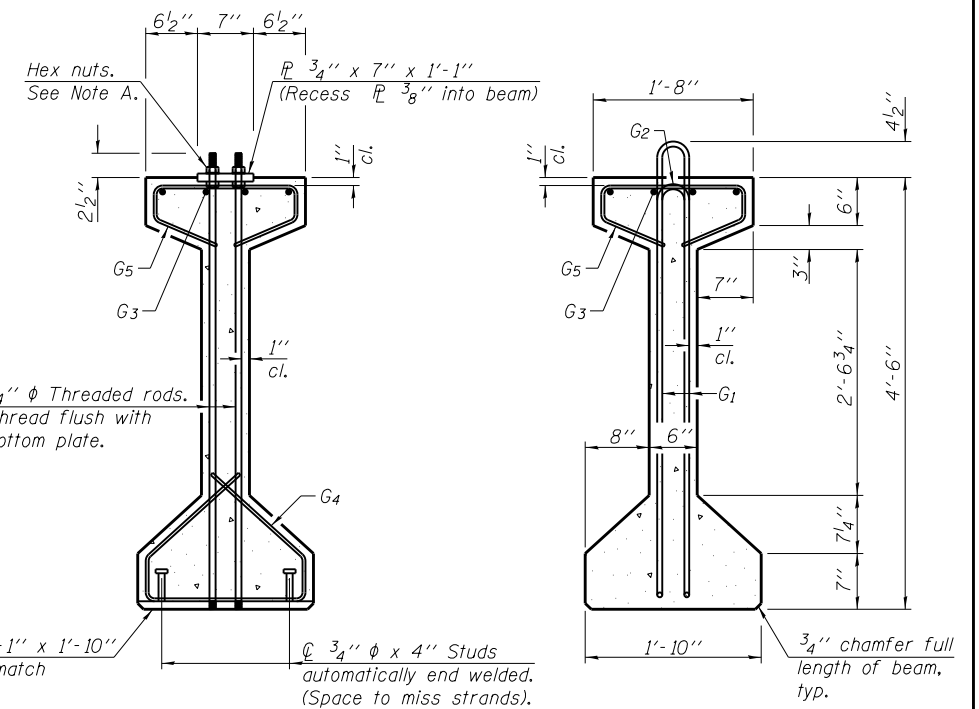


ELEVATION OF BEAM
(Showing reinforcement & dimensions)

* 3 spaces at 3" = 9".
** 4-3/4" φ threaded dowel rods at 3" cts., Each Face.



SECTION A-A

SECTION B-B

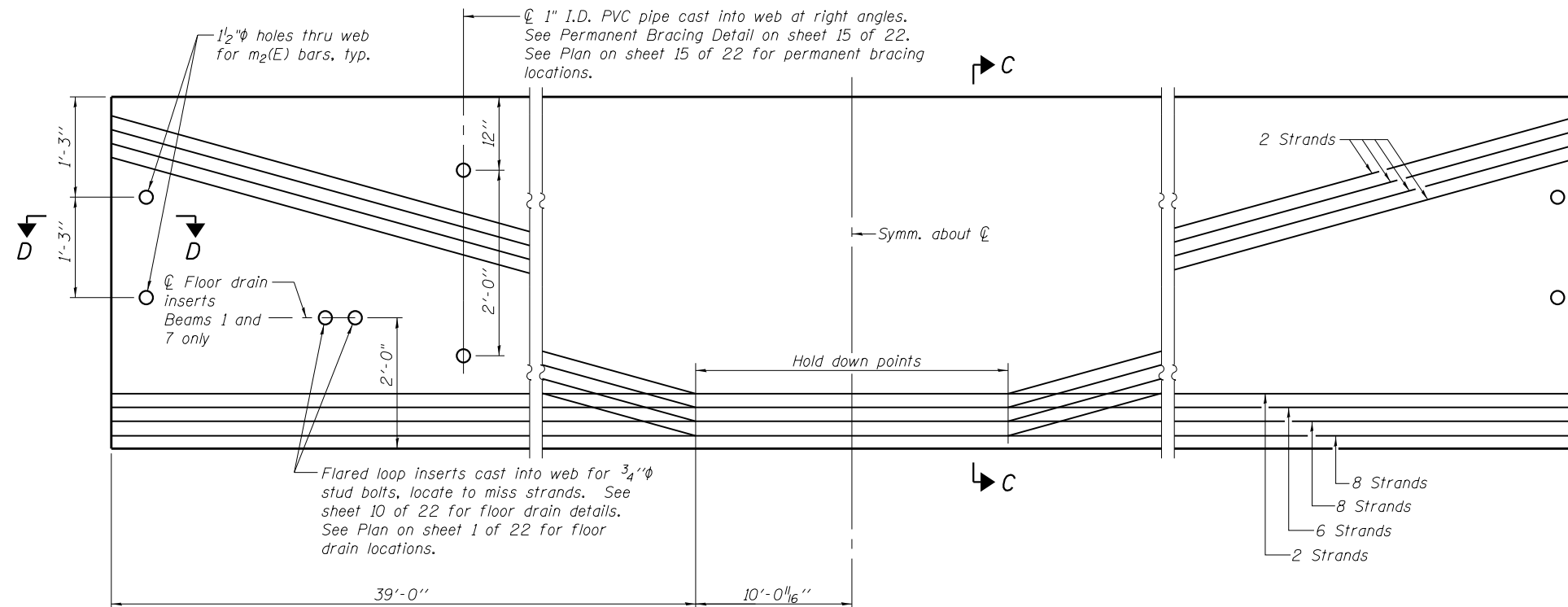
Note A:
Hex nuts (top and bottom) with lock washers (top). Only tighten sufficiently to compress lock washers.

*****BAR LIST
ONE BEAM ONLY**

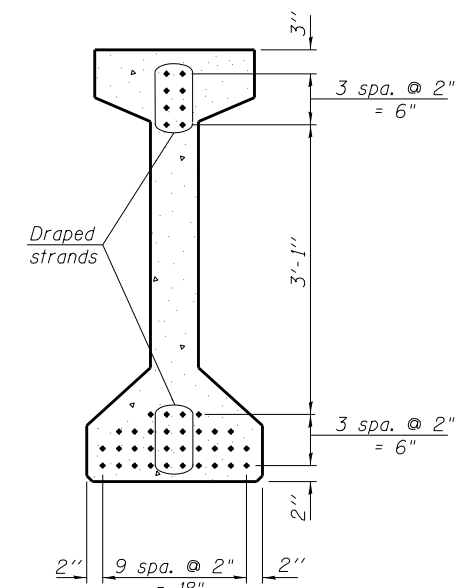
Bar	No.	Size	Length	Shape
G1	155	#4	10'-5"	∩L
G2	14	#4	8'-8"	∩
G3	12	#7	35'-0"	—
G4	38	#3	4'-11"	∩
G5	98	#3	3'-5"	∩

***For information only

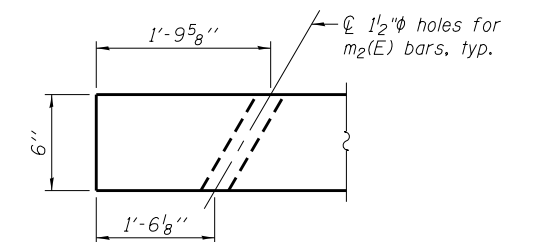
Notes:
See sheet 17 of 22 for additional details and Bill of Material.
Required release strength, f'ci, shall be 6000 psi.



ELEVATION OF BEAM
(Showing prestressing steel)



SECTION C-C



SECTION D-D

FILE NAME = c:\pds\116br\116br.dgn PROJECT NO. 10800E-1

PI-4-54

7-1-10

Coombe-Bloxdorf P.C.
CIVIL ENGINEERS-
STRUCTURAL ENGINEERS-
LAND SURVEYORS
Design Firm License No. 184-002703

USER NAME = sparksgw
DESIGNED - CME
CHECKED - MCB/RKM
DRAWN - MML
CHECKED - MCB
PLOT SCALE = 0:2.0000 '1' / in.
PLOT DATE = Oct-19-2012 02:14:55PM

DESIGNED - CME
CHECKED - MCB/RKM
DRAWN - MML
CHECKED - MCB
REVISED -
REVISED -
REVISED -
REVISED -

**STATE OF ILLINOIS
DEPARTMENT OF TRANSPORTATION**

**54" PPC I-BEAM
STRUCTURE NO. 059-0515**

SHEET NO. 16 OF 22 SHEETS

F.A.P. RTE.	SECTION	COUNTY	TOTAL SHEETS	SHEET NO.
325	116BR-1	MACOUPIN	67	52
CONTRACT NO. 72A19				
ILLINOIS FED. AID PROJECT				