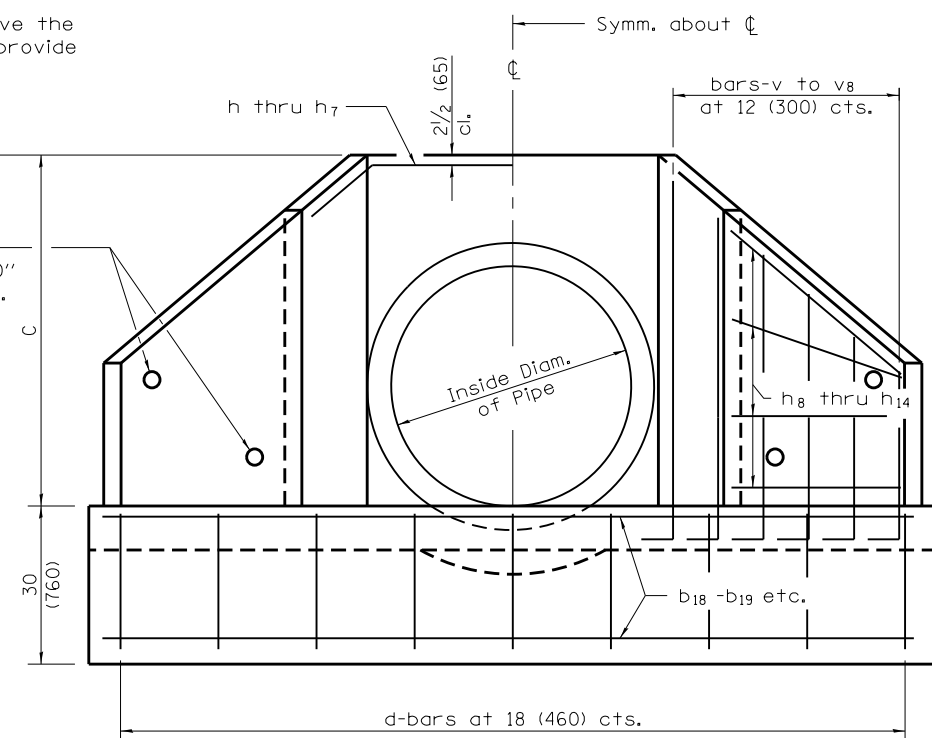
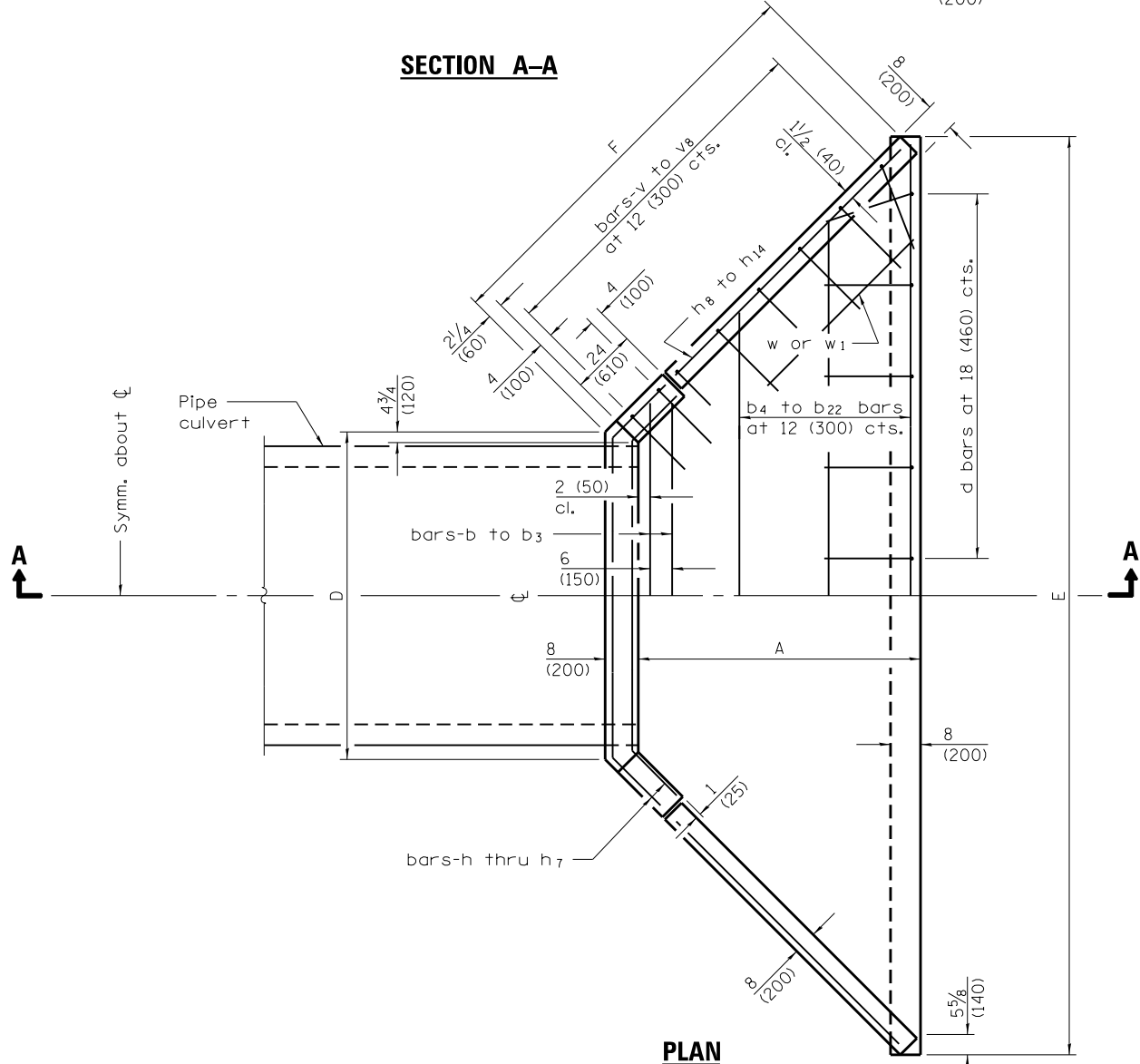


SECTION A-A

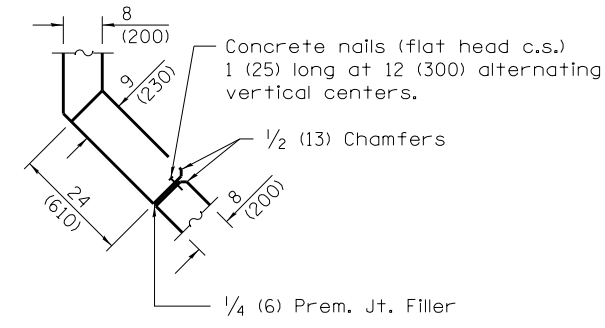
• If the embankment slope above the headwall is flatter than 1:2, provide wings for a 1:2 slope.



END ELEVATION



PLAN



CORNER DETAIL

GENERAL NOTES

All slope ratios are expressed as units of vertical displacement to units of horizontal displacement (V:H).

All dimensions are in inches (millimeters) unless otherwise shown.

FILE NAME =	USER NAME = zschl	DESIGNED - DBS	REVISED -	STATE OF ILLINOIS DEPARTMENT OF TRANSPORTATION	SPECIAL DETAILS			F.A.P. RTE.	SECTION	COUNTY	TOTAL SHEETS	SHEET NO.
D468409-SHT-20-21-DETAILS-REINFORCED CONCRETE END SECTIONS FOR PIPE CULVERTS 66-84	DRAWN - PSBA	CHECKED - CSB	REVISED -		REINFORCED CONCRETE END SECTIONS FOR PIPE CULVERTS 66" - 84"			313	7-2 ; 6-1	HENDERSON	976	541
PLOT SCALE = 100.0000' / 1"	CHECKED - CSB	DATE - 10/2012	REVISED -		SCALE:	SHEET NO. 20 OF 21 SHEETS	STA.	TO STA.	CONTRACT NO. 68409			
PLOT DATE = 10/16/2012	DATE - 10/2012	REVISED -	REVISED -		ILLINOIS FED. AID PROJECT							