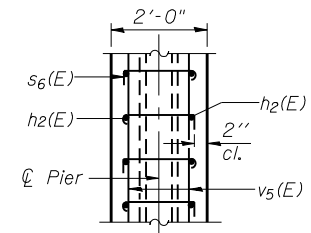
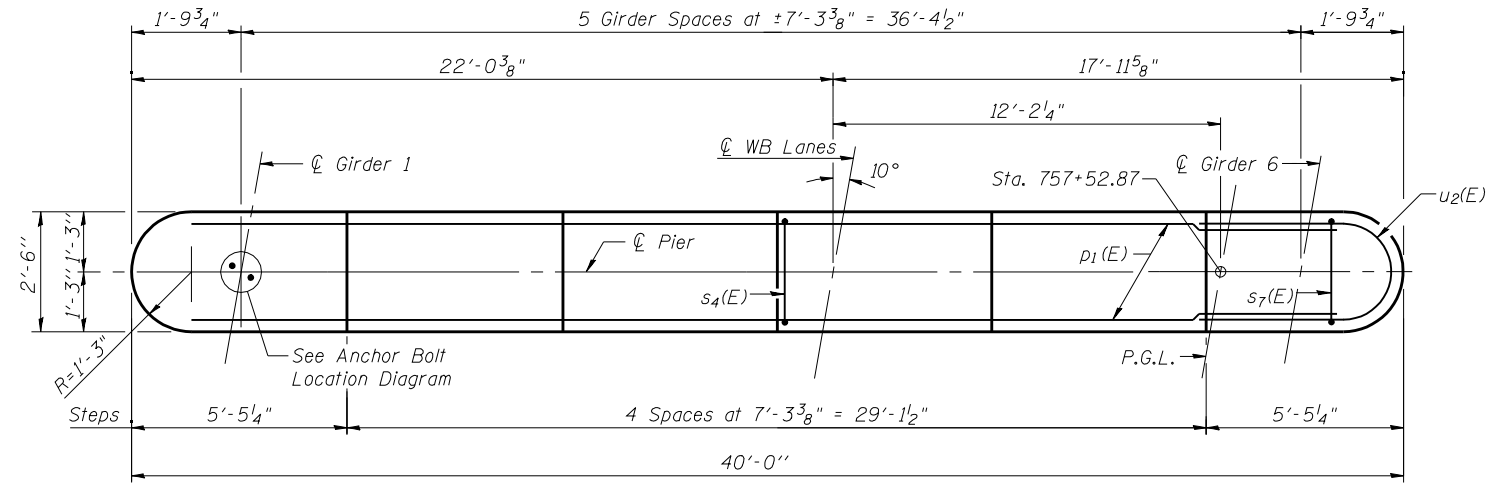


Notes:
 Space reinforcement in cap to miss anchor bolts.
 Pour steps monolithically with cap.
 For details of piles and encasement, see sheet 38 of 45.

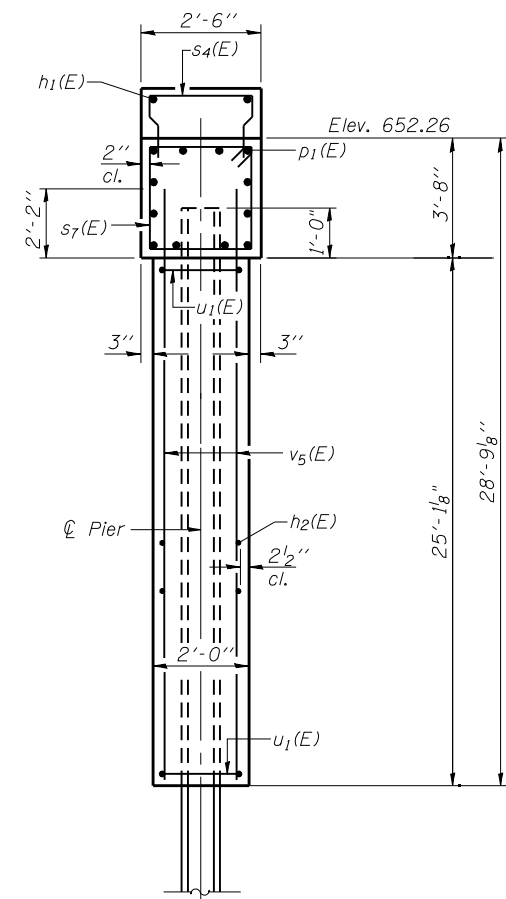
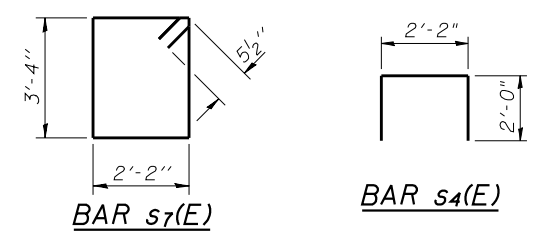
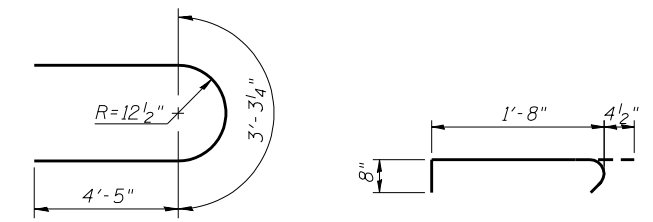
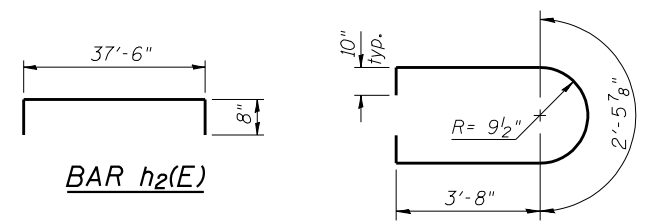


SECTION THRU WALL AT PILE LOCATION

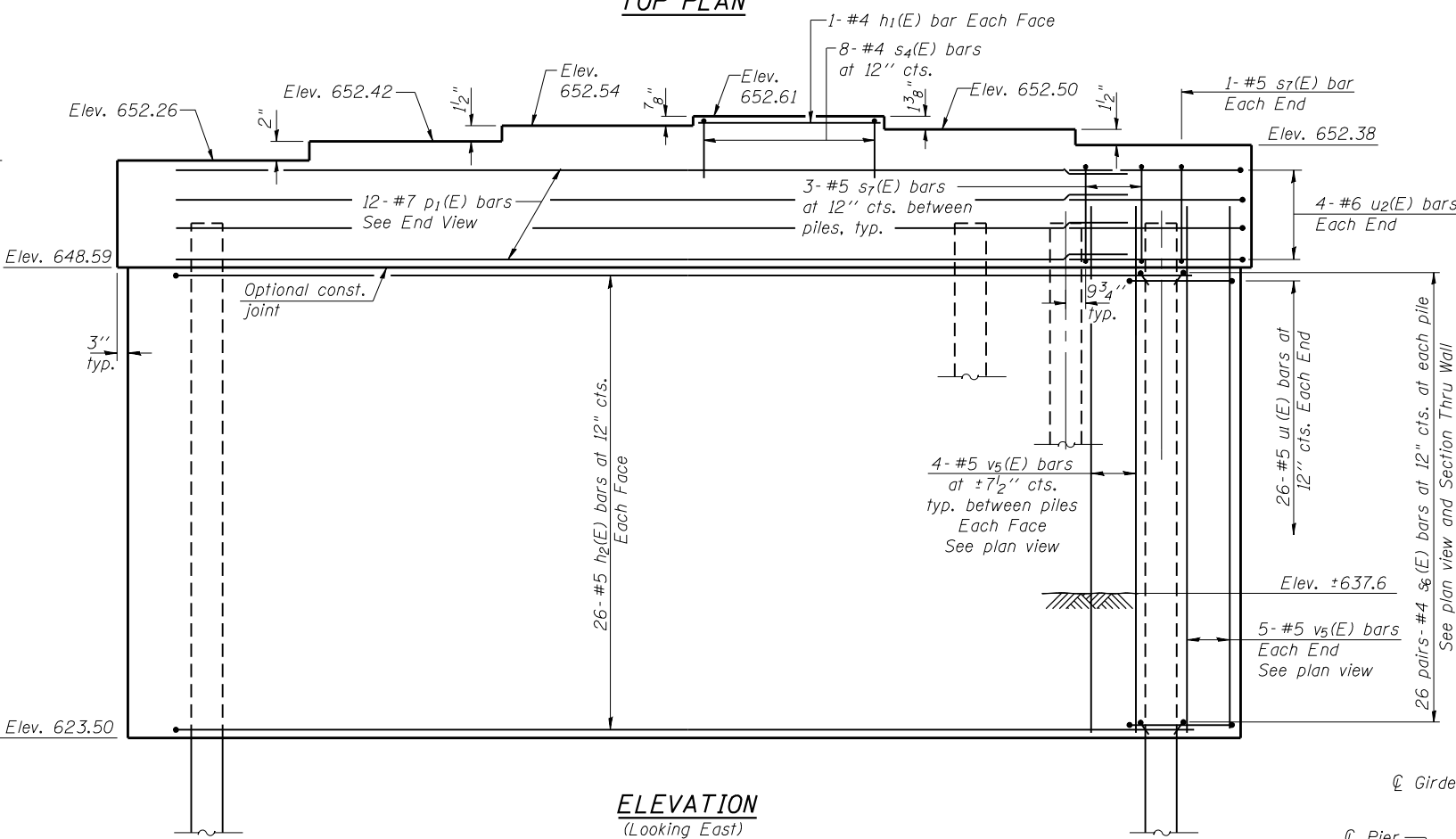
Showing alternating placement of $s_6(E)$ bars



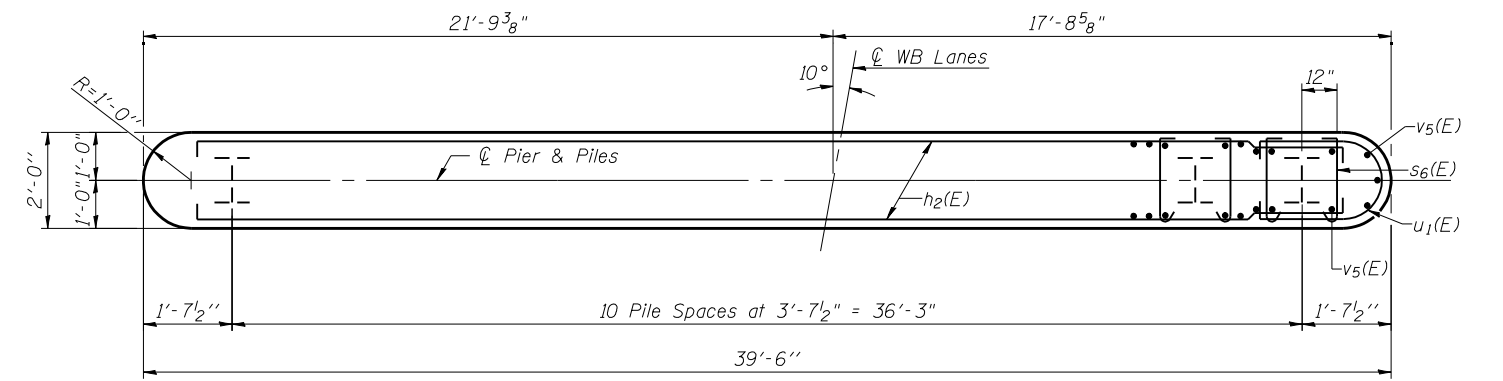
TOP PLAN



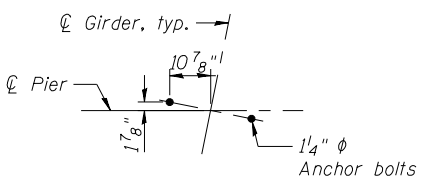
END VIEW



ELEVATION (Looking East)



PLAN



ANCHOR BOLT LOCATION DIAGRAM

PILE DATA

Type: Steel HP 14x89 with pile shoes
 Nominal Required Bearing: 705 kip
 Factored Resistance Available: 388 kip
 Est. Length: 40 ft.
 No. Production Piles: 10
 No. Test Piles: 1

BILL OF MATERIAL

Bar	No.	Size	Length	Shape
$h_1(E)$	2	#4	7'-0"	—
$h_2(E)$	52	#5	38'-10"	U
$p_1(E)$	12	#7	37'-6"	—
$s_4(E)$	8	#4	6'-2"	U
$s_6(E)$	572	#4	2'-9"	U
$s_7(E)$	32	#5	11'-11"	□
$u_1(E)$	52	#5	11'-6"	U
$u_2(E)$	8	#6	12'-2"	U
$v_5(E)$	90	#5	27'-3"	—
Concrete Structures	Cu. Yd.		84.9	
Reinforcement Bars, Epoxy Coated	Pound		7840	
Furnishing Steel Piles HP 14 x 89	Foot		400	
Driving Piles HP 14 x 89	Foot		400	
Test Pile Steel HP 14 x 89	Each		1	
Pile Shoes	Each		11	
Cofferdam Excavation	Cu. Yd.		301	
Seal Coat Concrete	Cu. Yd.		52.8	

FILE NAME = 0063-78134-035-pier2_wb.dgn
 CB PROJECT NO. 04065

Coombe-Bloxdorf P.C.
 CIVIL ENGINEERS-
 STRUCTURAL ENGINEERS-
 LAND SURVEYORS
 Design Firm License No. 184-002703

USER NAME = .MML.	DESIGNED - CME	REVISED -
PLOT SCALE = 0/2" = 1' / IN.	CHECKED - MCB	REVISED -
PLOT DATE = 10/16/2012	DRAWN - MML	REVISED -
	CHECKED - MCB	REVISED -

**STATE OF ILLINOIS
 DEPARTMENT OF TRANSPORTATION**

**PIER 2
 STRUCTURE NO. 036-0063 (W.B.)**

SHEET NO. 35 OF 45 SHEETS

F.A.P. RTE. 313	SECTION 7-2, 6-1	COUNTY HENDERSON	TOTAL SHEETS 976	SHEET NO. 488
CONTRACT NO. 68409				
ILLINOIS FED. AID PROJECT				