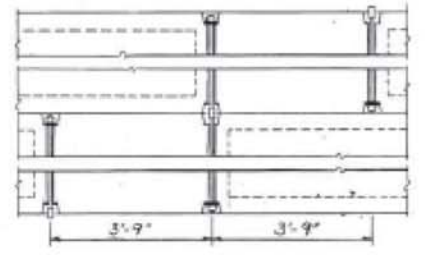
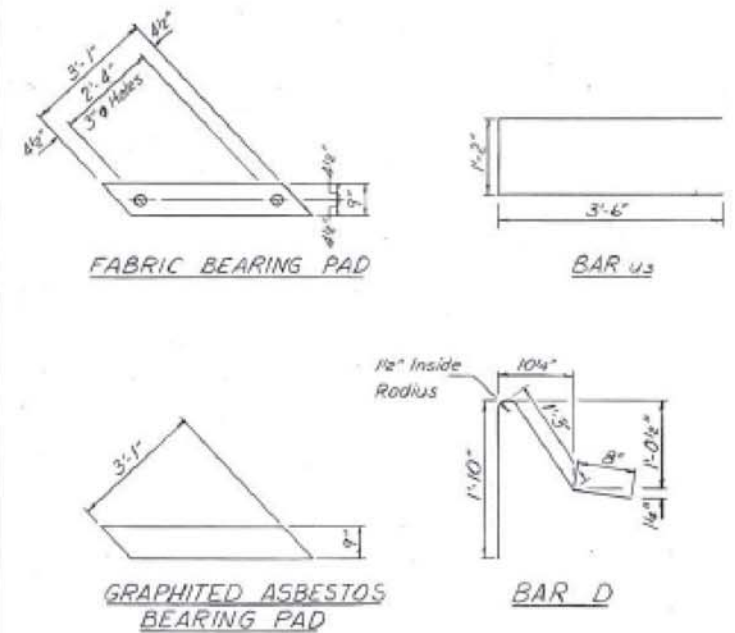
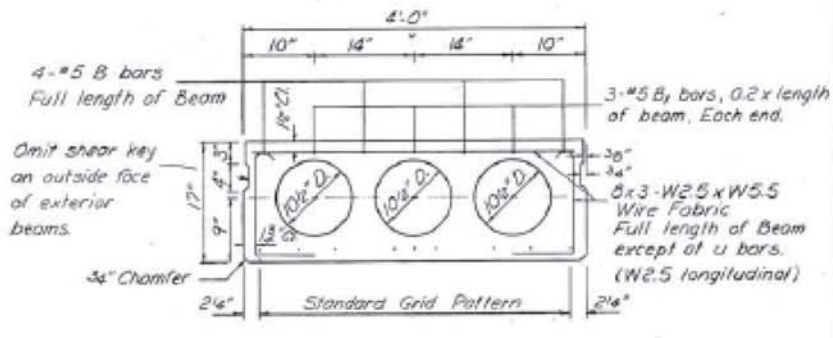
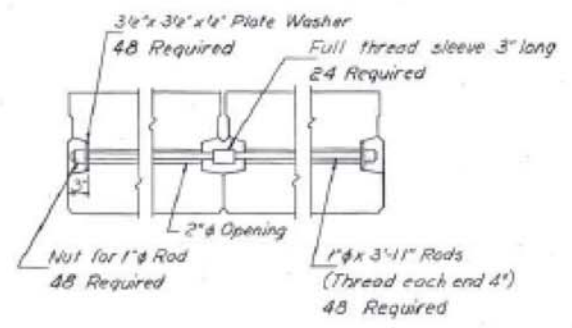


STATE OF ILLINOIS  
DEPARTMENT OF TRANSPORTATION

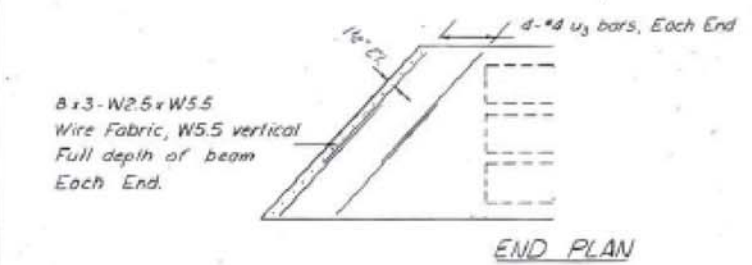
PROJECT NO.	SECTION	SHEET NO.	SHEET NO.	SHEET NO.
796	106 BR-4	FORD	39	31
SHEET NO. 2				
SHEETS 10				



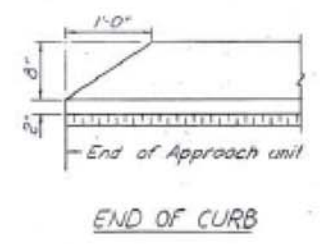
TYPICAL TRAVERSE TIE ASSEMBLY



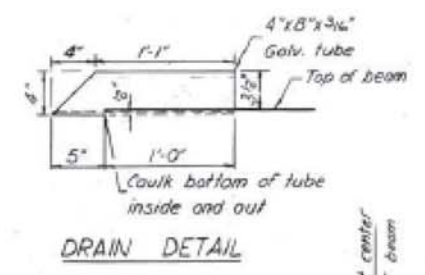
TYPICAL SECTION  
9-1/2" Strands, 1 3/4" up and placed symmetrically about C of beam. Each strand stressed to 28,900 Lbs.



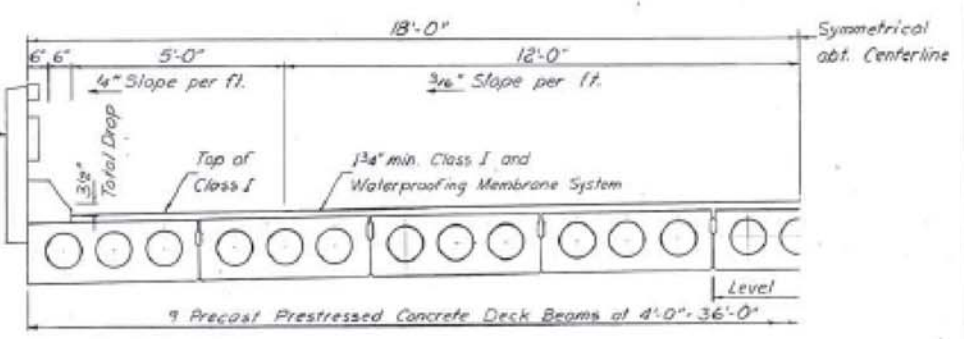
END PLAN



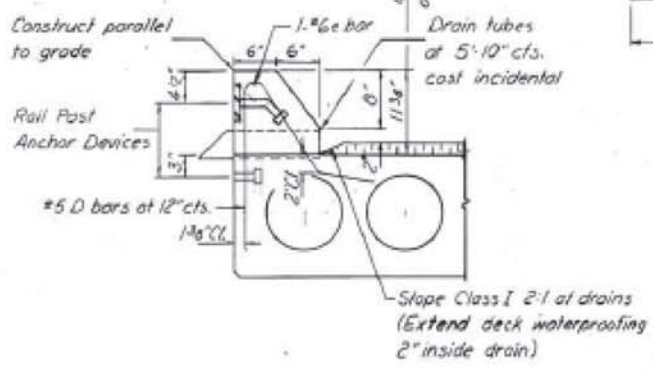
END OF CURB



DRAIN DETAIL



HALF CROSS SECTION

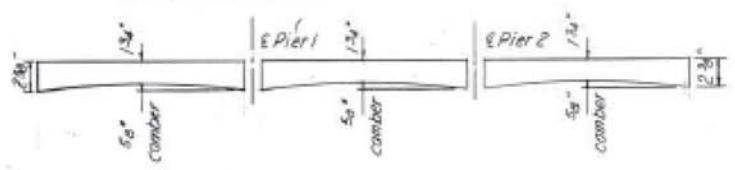


SECTION THRU CURB

Curbs shall be poured in the field

NOTES

Prestressing steel shall be non-galvanized high strength, stress-relieved 7 wire strand, Grade 270. The nominal diameter shall be 1/2" and the nominal cross-sectional area shall be 0.153 sq in. Lifting loops shall be 5/8" diameter, 6x25 class wire rope with fiber core and shall have a minimum ultimate tensile strength of 33,000 lbs. The 1" rods in the transverse tie assembly shall be tightened to a snug fit and the threads set. Pockets that receive transverse tie bar on outside shall be filled with grout after transverse tie assembly in place. Longitudinal shear keys shall be packed with a very dry mix of 2:1 sand and P.C. mortar. After beams have been erected, holes for dowel anchors shall be drilled into the substructure and the anchor dowels shall be grouted in place. Reinforcement bars shall conform to AASHTO: M-31 or M-53, Grade 60. Cost of reinforcement and accessories cast into the beam, of bearing pads, of armor angles, and of grouting longitudinal shear keys is included in the unit price bid for "Precast Prestressed Concrete Deck Beams."



CLASS I PROFILE

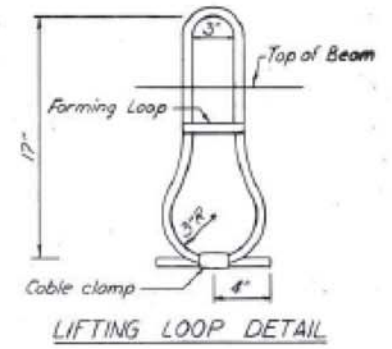
BILL OF MATERIAL

Bar	No.	Size	Length	Shape
Precast Prestressed Concrete Deck Beams		Sq. Ft.	3672	

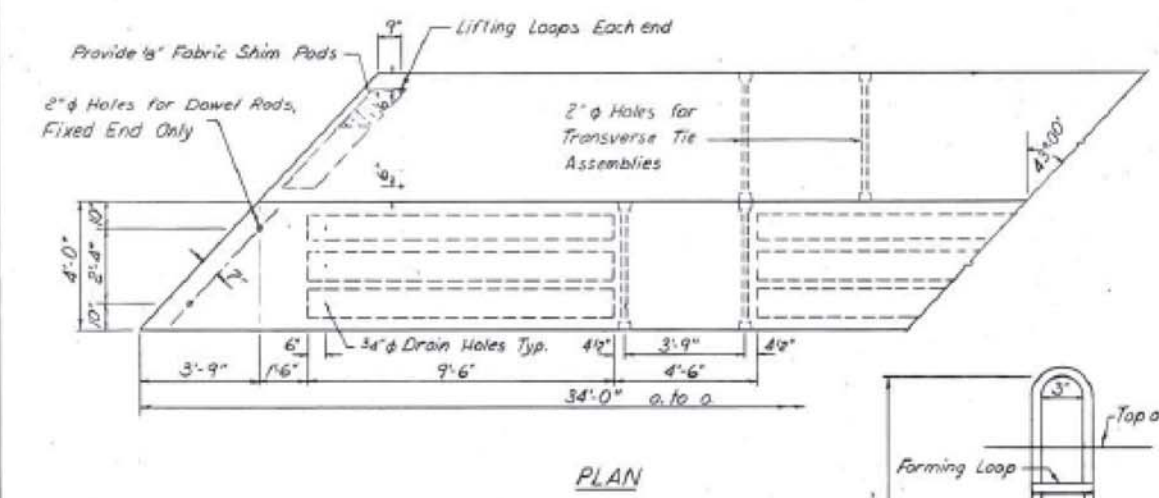
FOR INFORMATION ONLY

Superstructure  
FA Route 796 over the North Fork Vermilion River  
FA Route 796 Sec. 106 BR-4  
Ford County  
Sta. 1741+35

DESIGNED	D.A.S.
CHECKED	
DRAWN	D.A.S.
CHECKED	



LIFTING LOOP DETAIL



PLAN