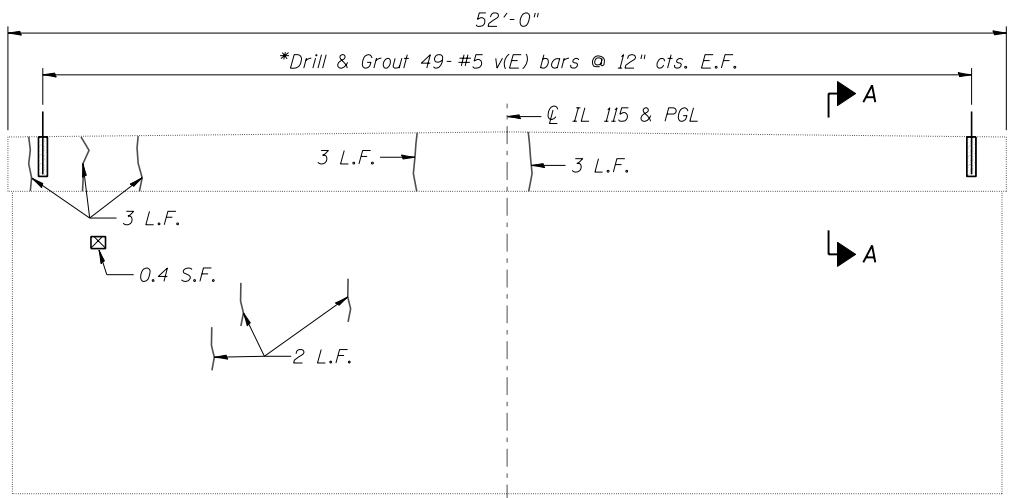
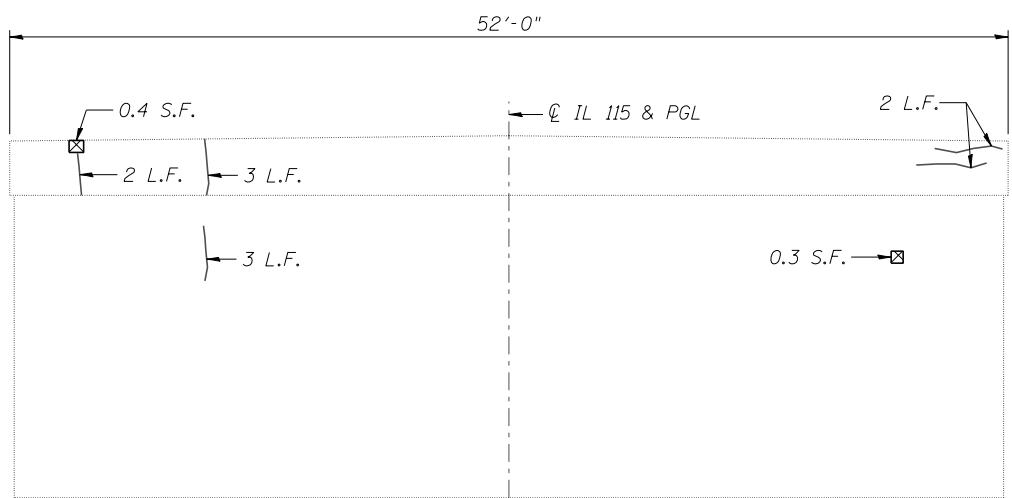


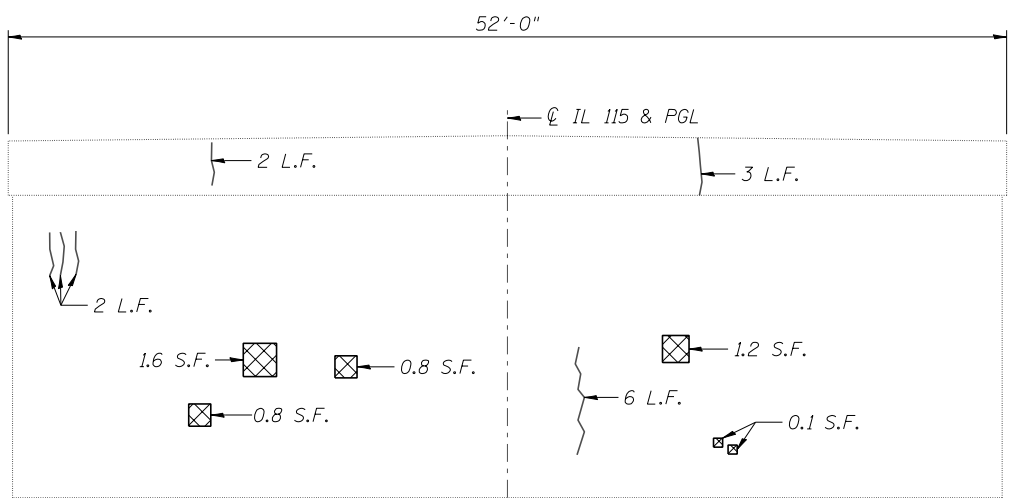
PIER 1 ELEVATION
(Looking North)



PIER 2 ELEVATION
(Looking North)



PIER 1 ELEVATION
(Looking South)



PIER 2 ELEVATION
(Looking South)

Note: Piles not shown in elevation views for clarity.

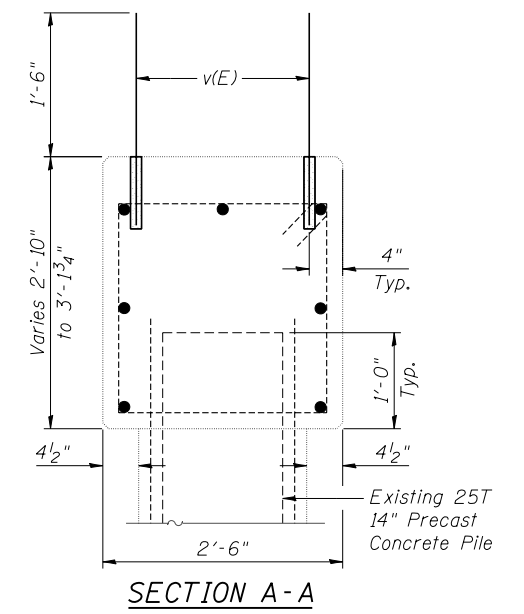
**TWO PIERS
BILL OF MATERIAL**

Bar	No.	Size	Length	Shape	
v(E)	196	5	2'-3"	—	
Reinforcement Bars, Epoxy Coated				Pound	460
Structural Repair of Concrete (Depth Equal to or Less Than 5")				Sq. Ft.	6
Epoxy Crack Injection				Foot	96

Notes:

*Drill and epoxy grout bars into existing concrete according to Section 584 of the Standard Specifications. Embedment = 9" typ. Cost included with Reinforcement Bars, Epoxy Coated.

Repairs shown are based upon observations performed at the time of plan preparation and are for bidding purposes only. Actual areas to be repaired shall be determined by the Field Engineer at the time of construction.



LEGEND

- Structural Repair of Concrete (Depth Equal to or Less Than 5")
- Epoxy Crack Injection

**PIER REPAIRS
STRUCTURE NO. 027-0072**

FILE NAME = ...66580-SN0270072-015-PierRepairs.dgn



Zroka Engineering, P.C.
4216 North Hermitage
Chicago, IL 60613

USER NAME = SAW	DESIGNED - LAS	REVISED -
PLOT SCALE = 0:2.0000 ' / IN.	CHECKED - DAZ	REVISED -
PLOT DATE = 10/30/2012	DRAWN - SAW	REVISED -
	CHECKED - LAS	REVISED -

**STATE OF ILLINOIS
DEPARTMENT OF TRANSPORTATION**

**PIER REPAIRS
S.N. 027-0072**

SHEET NO. SA-15 OF SA-15 SHEETS

F.A.P. RTE.	SECTION	COUNTY	TOTAL SHEETS	SHEET NO.
796	(106 BR-1 & BR-4)BR	FORD	78	47
				CONTRACT NO. 66980
ILLINOIS FED. AID PROJECT				