

EAST EDGE OF SHOULDER

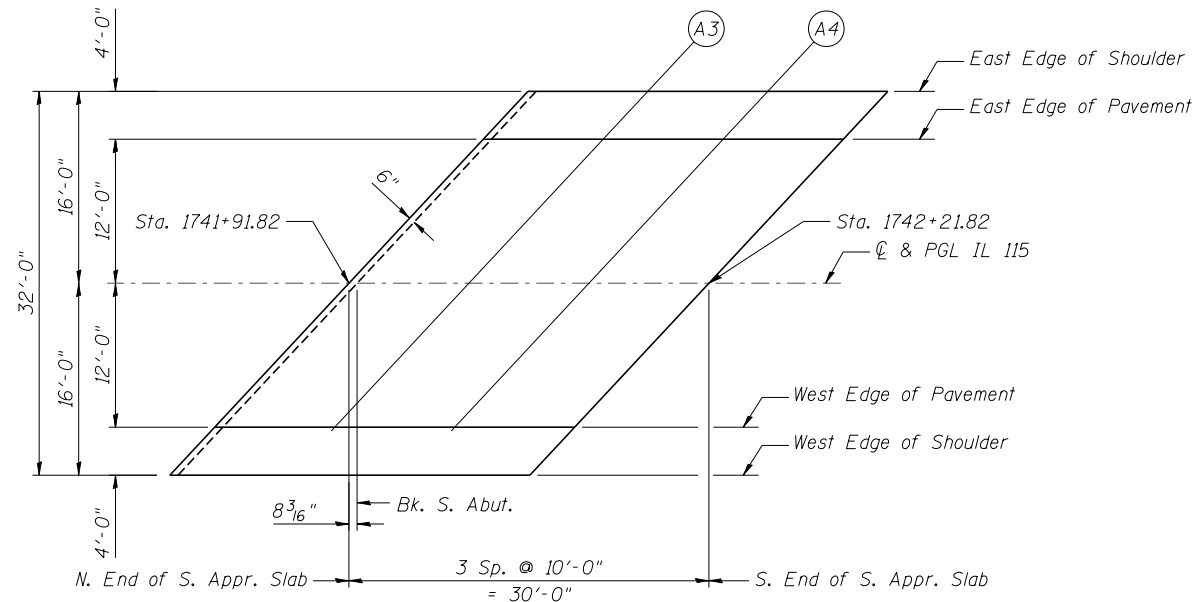
Location	Station	Offset	Theoretical Grade Elevations
N. End South Appr. Pvmf.	1742+06.74	-16.00	660.07
A3	1742+16.74	-16.00	660.03
A4	1742+26.74	-16.00	659.98
S. End South Appr. Pvmf.	1742+36.74	-16.00	659.93

EAST EDGE OF PAVEMENT

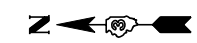
Location	Station	Offset	Theoretical Grade Elevations
N. End South Appr. Pvmf.	1742+03.01	-12.00	660.17
A3	1742+13.01	-12.00	660.13
A4	1742+23.01	-12.00	660.08
S. End South Appr. Pvmf.	1742+33.01	-12.00	660.03

CL ROADWAY & PROFILE GRADE LINE

Location	Station	Offset	Theoretical Grade Elevations
N. End South Appr. Pvmf.	1741+91.82	0.00	660.40
A3	1742+01.82	0.00	660.36
A4	1742+11.82	0.00	660.32
S. End South Appr. Pvmf.	1742+21.82	0.00	660.28



PLAN



WEST EDGE OF PAVEMENT

Location	Station	Offset	Theoretical Grade Elevations
N. End South Appr. Pvmf.	1741+80.63	12.00	660.24
A3	1741+90.63	12.00	660.22
A4	1742+00.63	12.00	660.18
S. End South Appr. Pvmf.	1742+10.63	12.00	660.14

WEST EDGE OF SHOULDER

Location	Station	Offset	Theoretical Grade Elevations
N. End South Appr. Pvmf.	1741+76.90	16.00	660.17
A3	1741+86.90	16.00	660.14
A4	1741+96.90	16.00	660.11
S. End South Appr. Pvmf.	1742+06.90	16.00	660.07

SOUTH APPROACH SLAB ELEVATIONS
STRUCTURE NO. 027-0072

FILE NAME = ...665980-SN0270072-005-SApprSlabElev.dgn



Zroka Engineering, P.C.
4216 North Hermitage
Chicago, IL 60613

USER NAME = SAW	DESIGNED - LAS	REVISED -
	CHECKED - DAZ	REVISED -
PLOT SCALE = 0:2.0000 ' / IN.	DRAWN - SAW	REVISED -
PLOT DATE = 10/30/2012	CHECKED - LAS	REVISED -

STATE OF ILLINOIS
DEPARTMENT OF TRANSPORTATION

SOUTH APPROACH SLAB ELEVATIONS
S.N. 027-0072

SHEET NO. SA-05 OF SA-15 SHEETS

F.A.P. RTE.	SECTION	COUNTY	TOTAL SHEETS	SHEET NO.
796	(106 BR-1 & BR-4)BR	FORD	78	37
CONTRACT NO. 66980				
ILLINOIS FED. AID PROJECT				