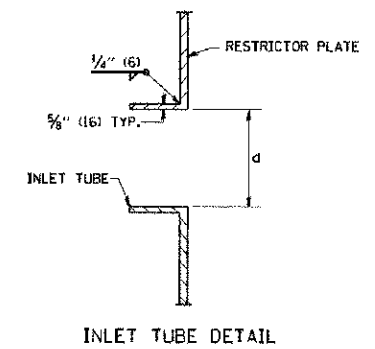
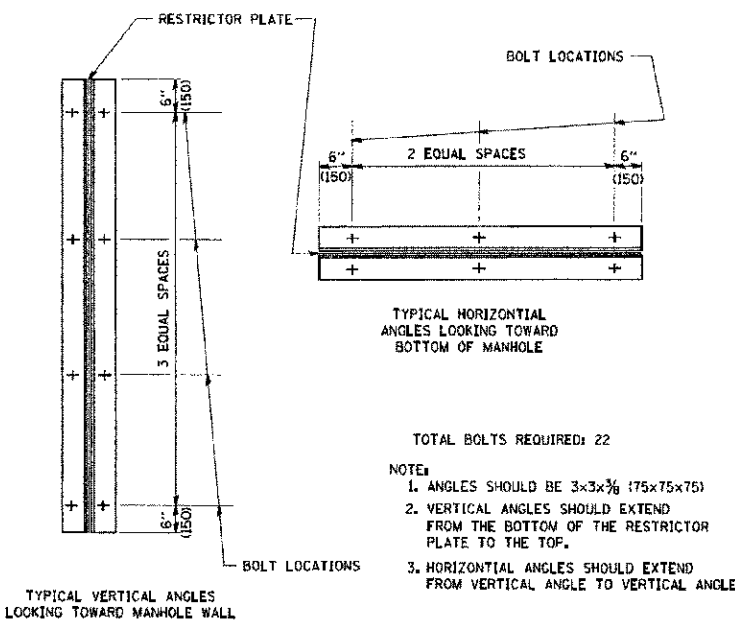


- NOTES:
1. ALL STEEL ANGLES AND PLATES TO BE GALVANIZED AFTER FABRICATION.
 2. ALL RESTRICTOR PLATES, ANGLES AND HARDWARE TO BE INCLUDED IN THE COST OF THE MANHOLE.
 3. BASIS OF PAYMENT: "MANHOLES, TYPE A, 6 FT. (1.8 m) DIAMETER, TYPE 1 FRAME, CLOSED LID, RESTRICTOR PLATE" EACH



STATION	MANHOLE DIAMETER	FRAME AND GRATE	RESTRICTOR TYPE	INSIDE RESTRICTOR TYPE DIAMETER In. (mm) (d)	INVERT OF RESTRICTOR TYPE	ELEVATION OF TOP OF PLATE OVERFLOW
201+93 LT	5'	TYPE 1, CLID	2	15	631.60	634.50
301+50 LT	7'	TYPE 1, CLID	2	32	622.50	627.33



- TOTAL BOLTS REQUIRED: 22
- NOTE:
1. ANGLES SHOULD BE 3x3x3/8 (75x75x75)
 2. VERTICAL ANGLES SHOULD EXTEND FROM THE BOTTOM OF THE RESTRICTOR PLATE TO THE TOP.
 3. HORIZONTAL ANGLES SHOULD EXTEND FROM VERTICAL ANGLE TO VERTICAL ANGLE.

RESTRICTOR TYPE					
1	2	3	4	5	6
RE-ENTRANT TUBE	SHARP EDGED	SQUARE EDGED	RE-ENTRANT TUBE	SQUARE EDGED	ROUNDED
LENGTH: 1/2 TO 1 DIA.		STREAM CLEARS SIDES	LENGTH: 2-1/2 DIA.	LENGTH: 2-1/2 DIA.	
C=.52	C=.61	C=.61	C=.73	C=.82	C=.98

VALUES OF "C" FOR CIRCULAR AND SQUARE ORIFICES

ALL DIMENSIONS ARE IN INCHES (MILLIMETERS) UNLESS OTHERWISE SHOWN.

COPYRIGHT © 2012 BY BAYTIS & WIDDAMAN, INC.
 1100 S. WOOD ST., SUITE 200, CHICAGO, IL 60607
 TEL: 312.467.1000 FAX: 312.467.1001
 WWW.BAYTISANDWIDDAMAN.COM
 FILE NAME: \\s01\projects\1100025\1100025-Subp.Chg.Eng\110025.dwg
 USER: ggglionab
 PLOT DATE: 1/4/2008

FILE NAME: \\s01\projects\1100025\1100025-Subp.Chg.Eng\110025.dwg	USER NAME: ggglionab	DESIGNED: R. SHAH	REVISED: R. SHAH 10-25-94
		DRAWN: -	REVISED: E. GOMEZ 08-28-00
	PLOT SCALE: = 50.000 1/4 IN.	CHECKED: -	REVISED: M. GOMEZ 01-08-01
	PLOT DATE: 1/4/2008	DATE: 09-09-94	REVISED: -

STATE OF ILLINOIS
DEPARTMENT OF TRANSPORTATION

MANHOLE WITH RESTRICTOR PLATE		SCALE: NONE	SHEET NO. 1 OF 1 SHEETS	STA. TO STA.
-------------------------------	--	-------------	-------------------------	--------------

F.A. RTE. 0348	SECTION 05-00160-00-CH	COUNTY COOK	TOTAL SHEETS 109	SHEET NO. 84
BD600-04 (BD-12)		CONTRACT NO. 63756		
FED. ROAD DIST. NO. 1 ILLINOIS REG. AID PROJ. ECT 0348(03)				