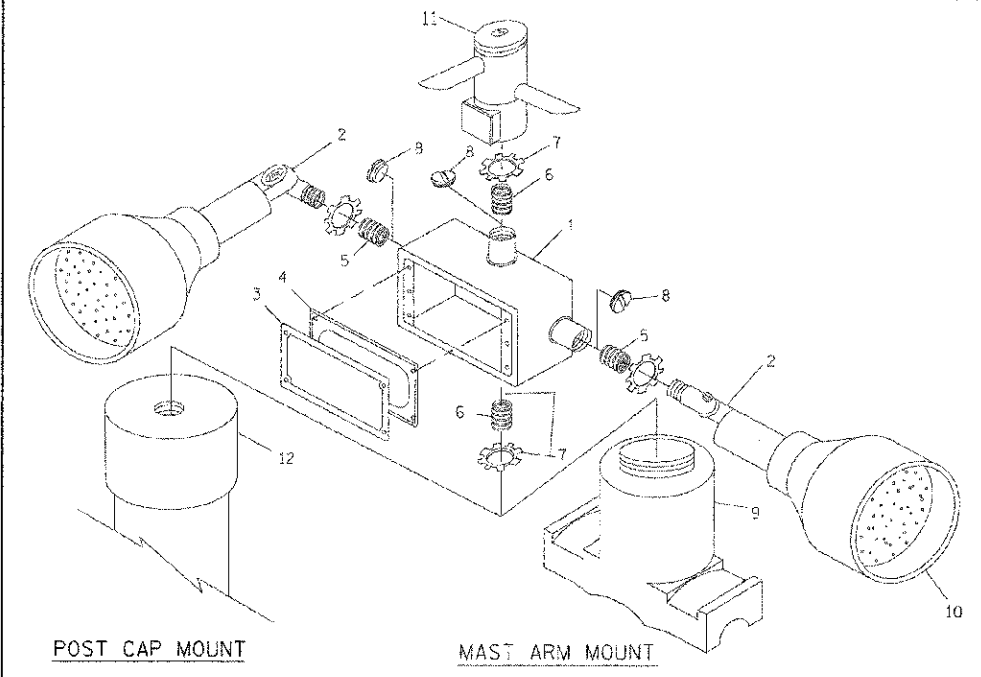
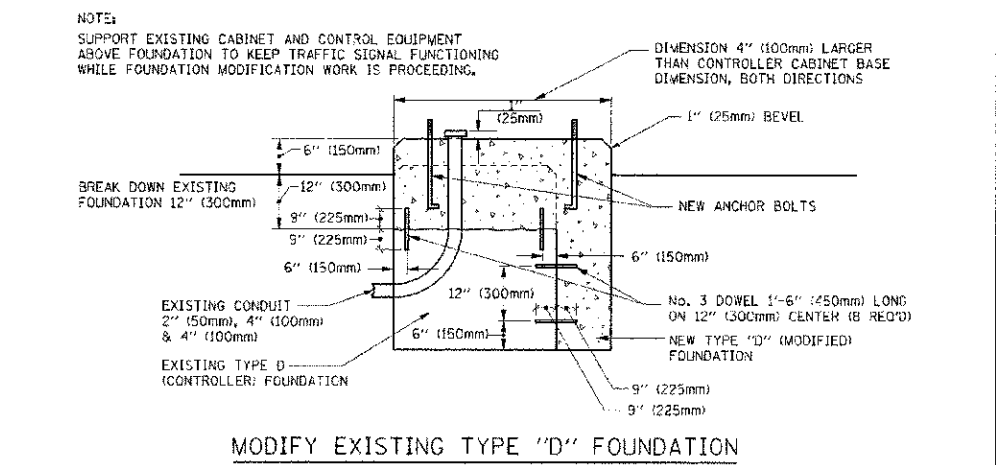


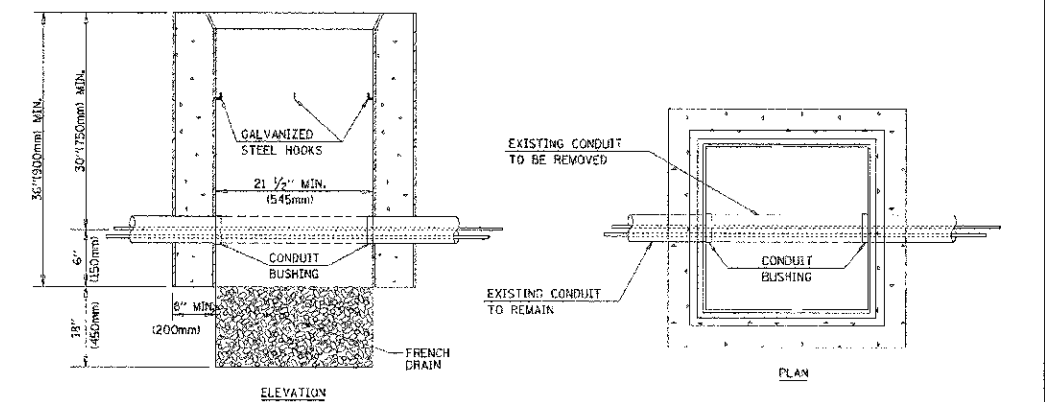
A	B	C	HEIGHT	WEIGHT
VARIES	9.5\" (241mm)	19\" (483mm)	7\" (178mm) - 12\" (300mm)	53 lbs (24kg)
VARIES	10.75\" (273mm)	21.5\" (546mm)	7\" (178mm) - 12\" (300mm)	66 lbs (31 kg)
VARIES	13.0\" (330mm)	26\" (660mm)	7\" (178mm) - 12\" (300mm)	81 lbs (37 kg)
VARIES	18.5\" (470mm)	37\" (940mm)	7\" (178mm) - 12\" (300mm)	126 lbs (57 kg)

- NOTES:**
- DIMENSION "A" IS EQUAL TO THE DIAMETER OF THE MAST ARM POLE AT THE TOP OF THE SHROUD. THE SHROUD SHALL BE TIGHT TO THE MAST ARM POLE.
  - THE SUPPLIER SHALL VERIFY THE ABOVE DIMENSIONS BASED ON MAST ARM REQUIREMENTS.
  - THE HEIGHT OF THE SHROUD SHALL COVER THE ANCHOR BOLTS, NUTS AND MAST ARM POLE BASE.



ITEM NO.	IDENTIFICATION
1	OUTLET BOX - GALV. 21 CU. IN. (C.000344 CU. IN.)
2	LAMP HOLDER AND COVER
3	OUTLET BOX COVER
4	RUBBER COVER GASKET
5	REDUCING BUSHING
6	1/4\" (19 mm) CLOSE NIPPLE
7	1/4\" (19 mm) LOCKNUT
8	1/4\" (19 mm) HOLE PLUG
9	SADDLE BRACKET - GALV.
10	6 WATT PAR 38 LED FLOOD LAMP
11	DETECTOR UNIT
12	POST CAP [18 FT. (5.4 m) POST MIN.]

- NOTES:**
- ALL ELECTRICAL ITEMS, EXCEPT ITEMS #2 AND #11 SHALL BE ALUMINUM OR GALVANIZED
  - ITEM #1 - QZ/GEDNEY FSX-1-50 OR EQUIVALENT  
ITEM #2 - MULBERRY CON-O-SHADE LAMP SHIELD OR EQUIVALENT  
ITEM #9 - "BAND-IT" SADDLE BRACKET OR EQUIVALENT
  - WHEN POST MOUNTING IS SPECIFIED, ITEM #9 SHALL NOT BE REQUIRED. THE DETECTION UNIT SHALL BE MOUNTED DIRECTLY ON TOP OF THE CAP BY DRILLING AND TAPPING A 1/4\" (19 mm) HOLE WITH PIPE THREADS. THE POST CAP SHALL EITHER BE SCREWED TO THE TOP OF THE POST OR A MINIMUM OF 3 TIGHTENING SCREWS SHALL BE REQUIRED ON EACH CAP.



- NOTES:**
- HANDHOLE CONSTRUCTED PER STATE STANDARD 814001.
  - REMOVAL OF THE EXISTING CONDUIT FROM THE HAND-OLE AND THE INSTALLATION OF THE CONDUIT BUSHINGS SHALL BE INCIDENTAL TO THE HAND-OLE.

COPYRIGHT © 2012 BY BAYTER & WOODMAN, INC.  
 ALL RIGHTS RESERVED. NO PART OF THIS DOCUMENT IS TO BE REPRODUCED OR TRANSMITTED IN ANY FORM OR BY ANY MEANS, ELECTRONIC OR MECHANICAL, INCLUDING PHOTOCOPYING, RECORDING, OR BY ANY INFORMATION STORAGE AND RETRIEVAL SYSTEM.  
 FILE NAME: C:\Users\woodman\OneDrive\Documents\Projects\110025-Sub\110025-Sub.dwg  
 USER: woodman  
 PLOT SCALE: 1/8\"/>

FILE NAME =	USER NAME =	DESIGNED -	REVISED -
C:\Users\woodman\OneDrive\Documents\Projects\110025-Sub\110025-Sub.dwg	woodman	DAD	
	PLOT SCALE =	DRAWN -	REVISED -
	1/8\"/>		
	PLOT DATE =	CHECKED -	REVISED -
	11/4/2009	DAD	
		DATE -	REVISED -
		10-28-09	

**STATE OF ILLINOIS  
DEPARTMENT OF TRANSPORTATION**

**DISTRICT ONE  
STANDARD TRAFFIC SIGNAL DESIGN DETAILS**

F.A.P. RTE. 0348	SECTION 05-00160-00-CH	COUNTY COOK	TOTAL SHEETS 109	SHEET NO. 53
TS-05			CONTRACT NO. 63756	
FED. ROAD DIST. NO. 1 ILLINOIS FED. AID PROJECT F-0348(35)				

SCALE: NONE SHEET NO. 4 OF 6 SHEETS STA. TO STA.