
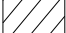


McCARTHY ROAD
 MAINTENANCE OF TRAFFIC - STAGE I
 STA. 12+77.24 TO STA. 26+63.93

LEGEND

-  PROPOSED TEMPORARY PAVEMENT MARKING
-  WORK ZONE

STAGE I

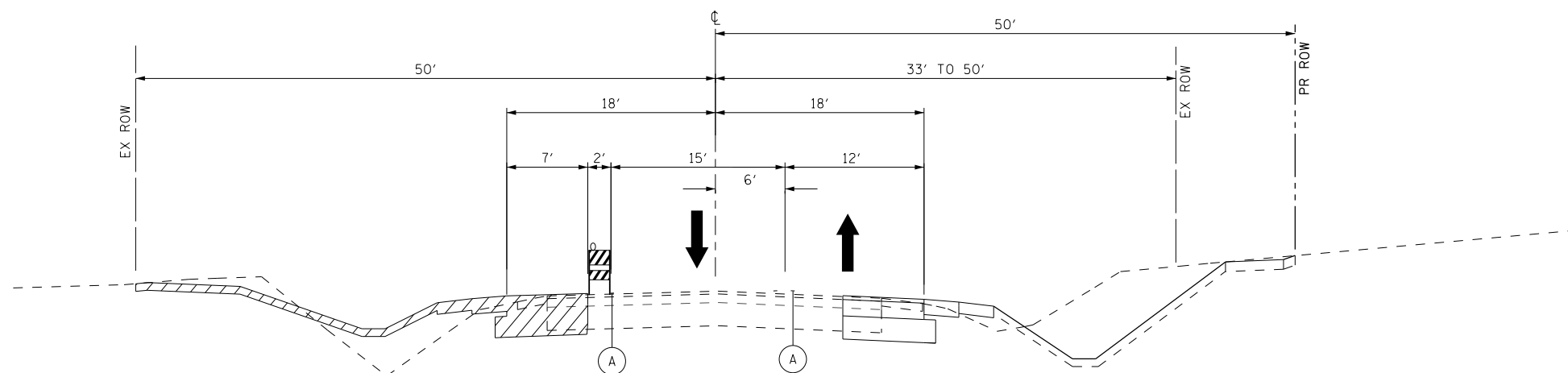
1. MILL EXISTING PAVEMENT
2. INSTALL TRAFFIC CONTROL AND TEMPORARY PAVEMENT MARKING SHIFTING TRAFFIC FOR CONSTRUCTION ON SOUTH SIDE OF McCARTHY ROAD AND EAST SIDE OF WALKER ROAD
3. CONSTRUCT UP TO BINDER COURSE FOR WIDENING
4. CONSTRUCT DRIVEWAY APPROACHES AND SIDEWALKS

STAGE II

1. INSTALL TRAFFIC CONTROL AND TEMPORARY PAVEMENT MARKING SHIFTING TRAFFIC FOR CONSTRUCTION ON NORTH SIDE OF McCARTHY ROAD AND WEST SIDE OF WALKER ROAD
2. CONSTRUCT UP TO BINDER COURSE FOR WIDENING
3. CONSTRUCT DRIVEWAY APPROACHES AND SIDEWALKS

STAGE III

1. CONSTRUCT ISLANDS
2. INSTALL SIGNAL EQUIPMENT
3. PLACE SURFACE COURSE
4. UNBAG AND TURN ON SIGNAL HEADS
5. PLACE PERMANENT PAVEMENT MARKING



McCARTHY ROAD
 MAINTENANCE OF TRAFFIC - STAGE II
 STA. 12+77.24 TO STA. 26+63.93

I:\6710\671018 - McCarthy at Walker Intersection_imp\CADD\CADD SHEETS\60L79-ht-staging\typical-McCarthy.dgn

FILE NAME =	USER NAME = rge11	DESIGNED - RG	REVISED -
		DRAWN - RG	REVISED -
	PLOT SCALE = 13.3400' / in.	CHECKED - MGR	REVISED -
	PLOT DATE = 10/19/2012	DATE - MARCH, 2012	REVISED -

STATE OF ILLINOIS
 DEPARTMENT OF TRANSPORTATION

McCARTHY ROAD
 MAINTENANCE OF TRAFFIC
 TYPICAL SECTIONS

SCALE: SHEET NO. OF SHEETS STA. TO STA.

F.A.U. RTE.	SECTION	COUNTY	TOTAL SHEETS	SHEET NO.
1587	3098-R	COOK	95	31
CONTRACT NO. 60L79				
ILLINOIS FED. AID PROJECT				