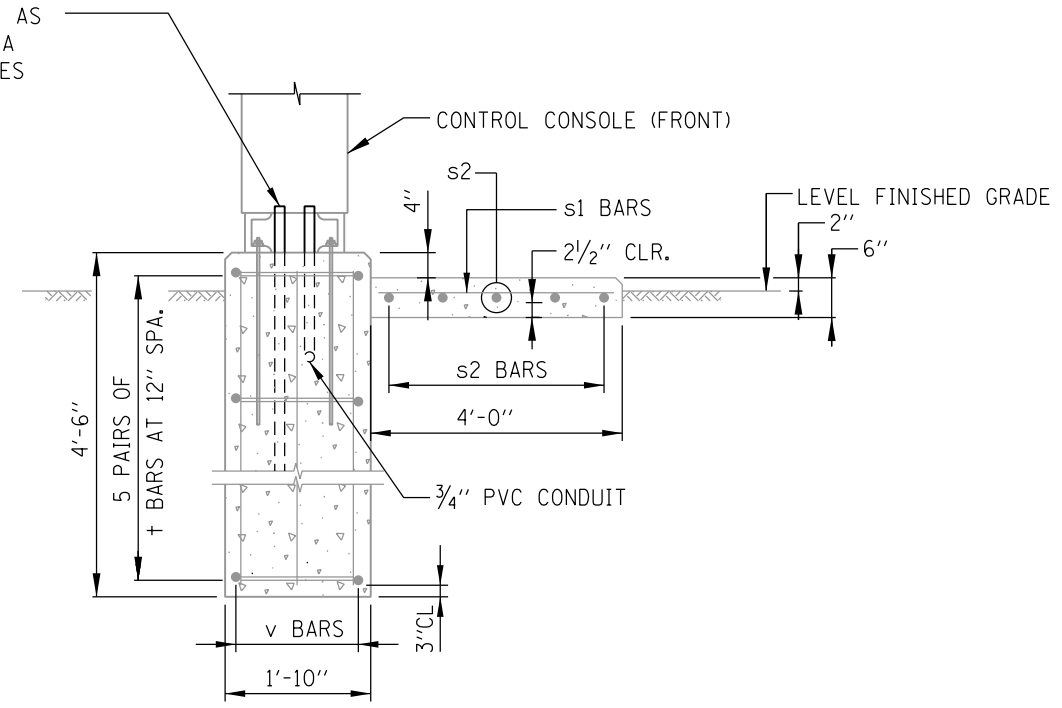
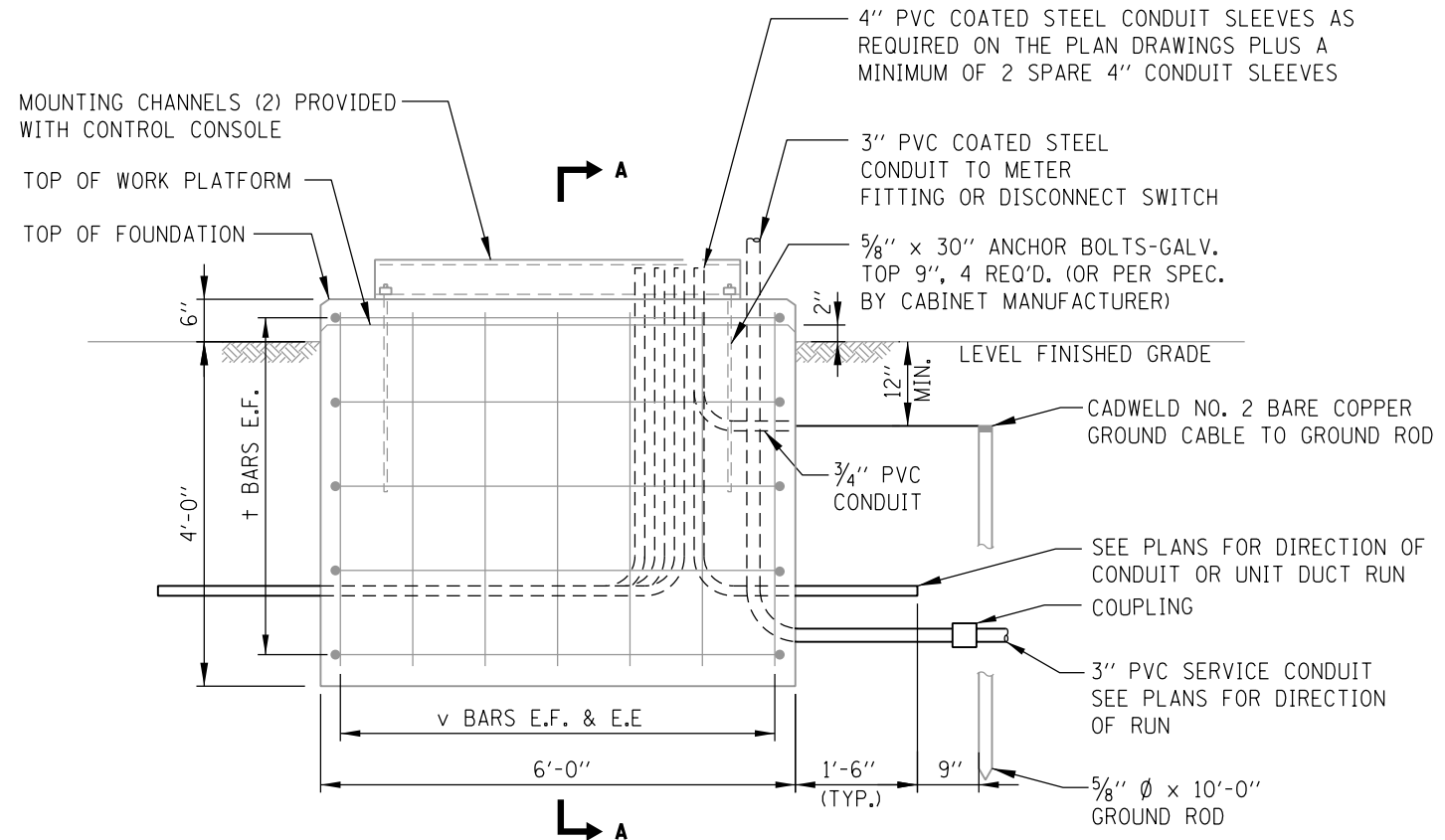


PLAN



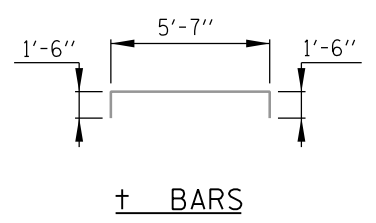
SECTION A-A



ELEVATION

REINFORCING BAR SCHEDULE					
BAR	NO.	SIZE	LENGTH	WT. LBS.	SHAPE
v	16	#4	4'-0"	43	—
+	10	#4	8'-7"	57	⌈
s1	7	#4	3'-8"	17	—
s2	5	#4	5'-8"	19	—

BILL OF MATERIAL		
DESCRIPTION	UNIT	QUANTITY
REINF. STEEL, EPOXY COATED	LBS.	136
CLASS "SI" CONCRETE	CU. YDS.	2.3



NOTE:  
SEE SHEET 2 OF THIS SERIES FOR GENERAL NOTES

CONTRACT 60I31 SHEET 962 OF 963  
SHEET 1 OF 2



APPROVED *Paul Kovacs* CHIEF ENGINEER DATE 2-7-2012

TYPE A CONTROL CONSOLE FOUNDATION

DATE	REVISIONS
2-7-2012	REVISED TYPE A AND TYPE B CONTROL CONSOLE FOUNDATIONS

OUTDOOR CONTROL CONSOLE FOUNDATION DETAILS  
STANDARD H7-01