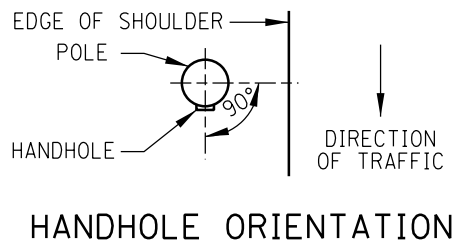
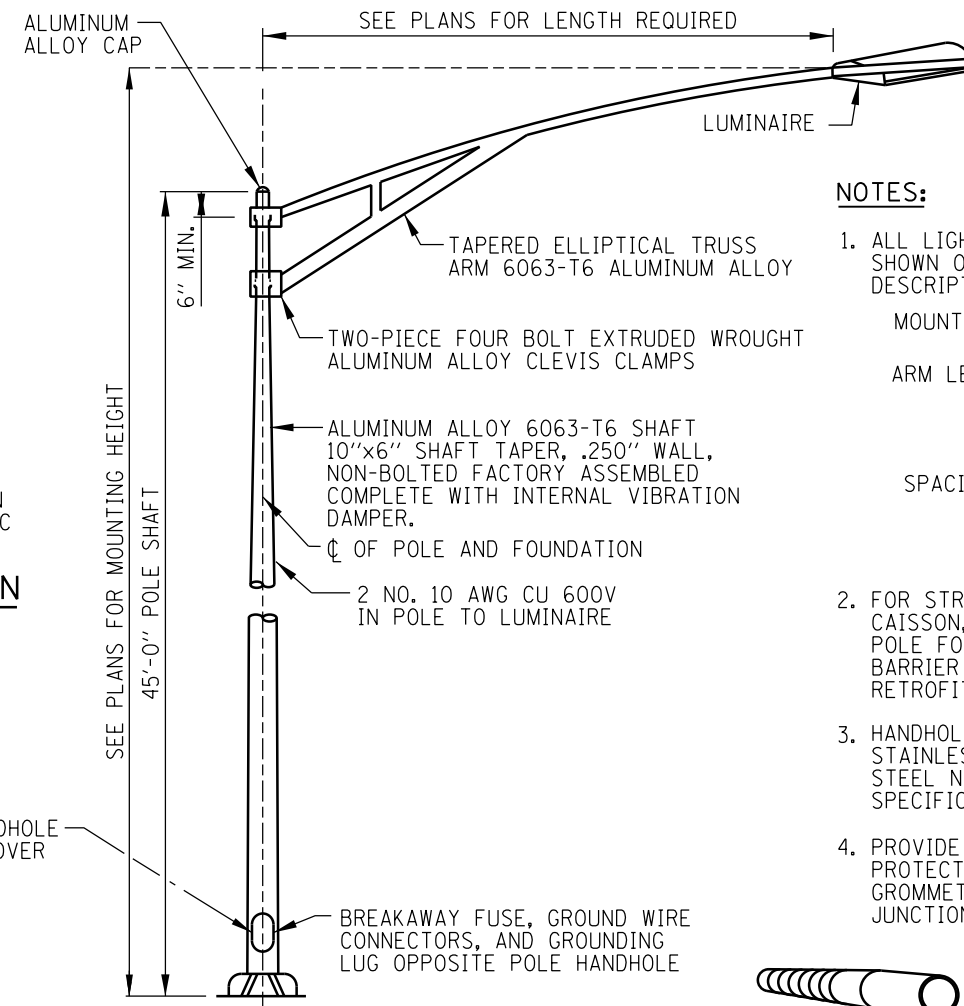


TWIN MAST LIGHT STANDARD DETAIL



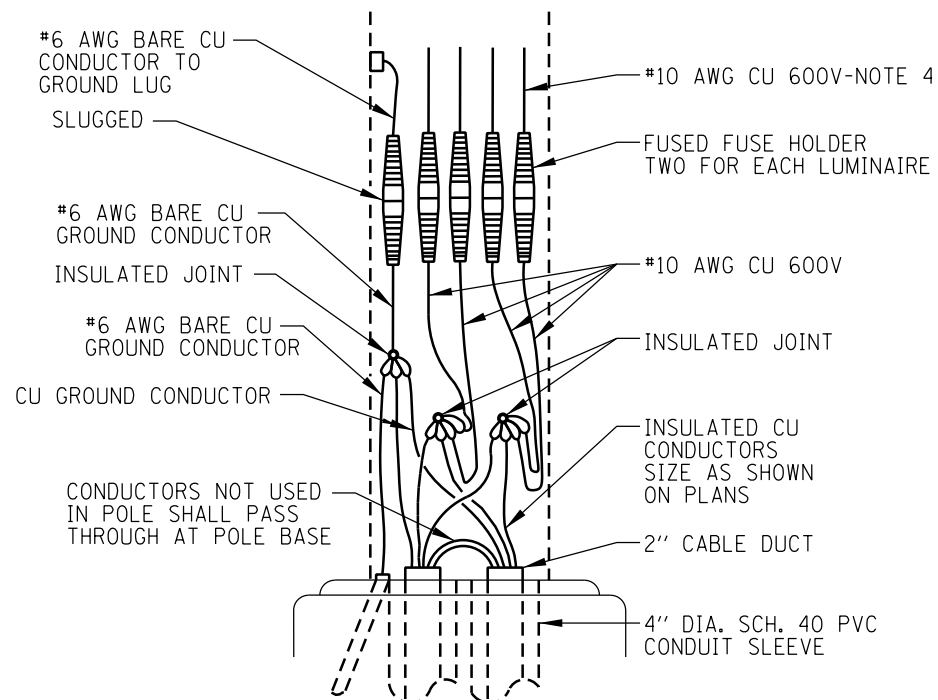
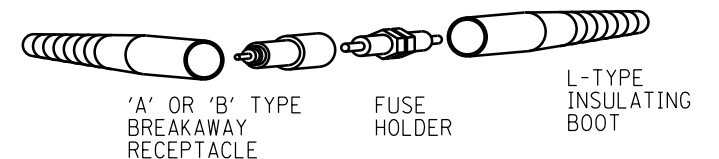
HANDHOLE ORIENTATION



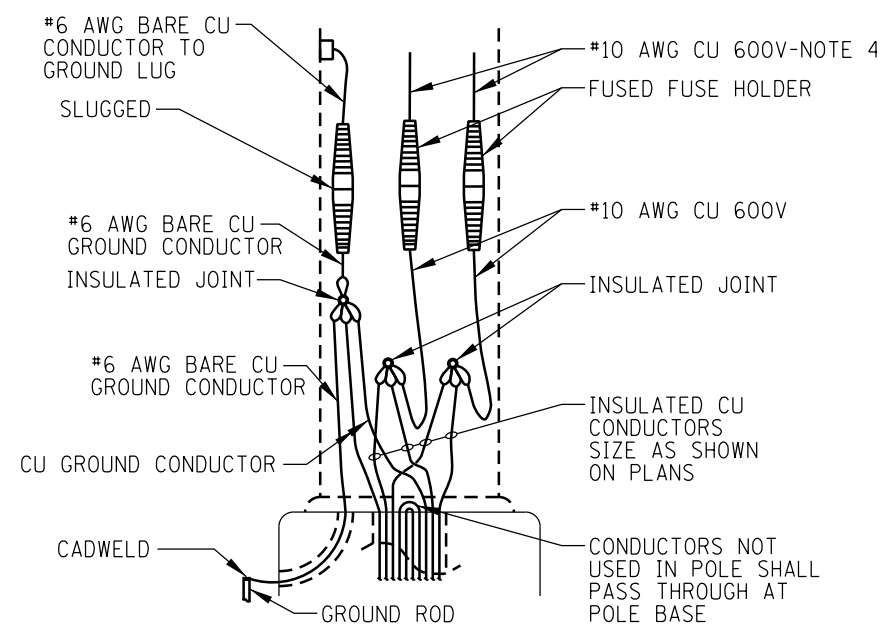
SINGLE MAST LIGHT STANDARD DETAIL

NOTES:

- ALL LIGHT STANDARDS, BOTH NEW AND EXISTING, ARE SHOWN ON PLANS WITH THE FOLLOWING SAMPLE DESCRIPTION:
 MOUNTING HEIGHT
 ARM LENGTH
 SPACING RANGE
 AL2-50-C4
 M-C-III
 STA. 0 + 20
 DISTRIBUTION TYPE
 CONTROL:
 S=SEMI-CUTOFF
 C=FULL CUTOFF
- FOR STRUCTURAL DETAILS OF MEDIAN BARRIER AND CAISSON, SEE STANDARD H8 (MEDIAN BARRIER LIGHT POLE FOUNDATION DETAILS), STANDARD H9 (MEDIAN BARRIER LIGHT POLE FOUNDATION DETAILS - TYPE 4 RETROFIT, 32" BARRIER) OR STRUCTURAL PLANS.
- HANDHOLE COVERS SHALL BE FASTENED USING TWO STAINLESS STEEL SCREWS WITH CAPTIVE STAINLESS STEEL NUTS OR INSERTS, PER THE SUPPLEMENTAL SPECIFICATIONS.
- PROVIDE A 24" LONG POLYETHYLENE TUBE TO PROTECT CABLES WHERE THEY PASS THROUGH THE GROMMETTED OPENING AT THE POLE/MAST ARM JUNCTION.

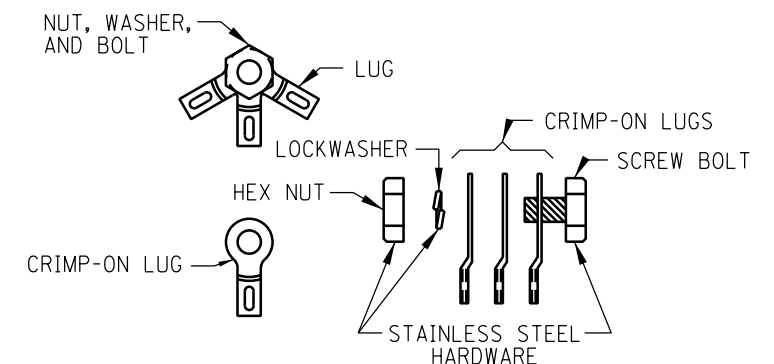


TWIN MAST POLE BASE WIRING DIAGRAM



SINGLE MAST POLE BASE WIRING DIAGRAM

IN-THE-LINE FUSE HOLDER DETAIL WITH BREAKAWAY FEATURE



JOINT ASSEMBLY DETAILS

CONTRACT 60I31 SHEET 958 OF 963



APPROVED *Paul Kovacs* CHIEF ENGINEER DATE 2-7-2012

DATE	REVISIONS
2-7-2012	REVISED LIGHT POLE HANDHOLE NOTES, REMOVED CABLE VOLTAGE, AND REVISED NOTES

LIGHT STANDARD POLE WIRING
STANDARD H2-01