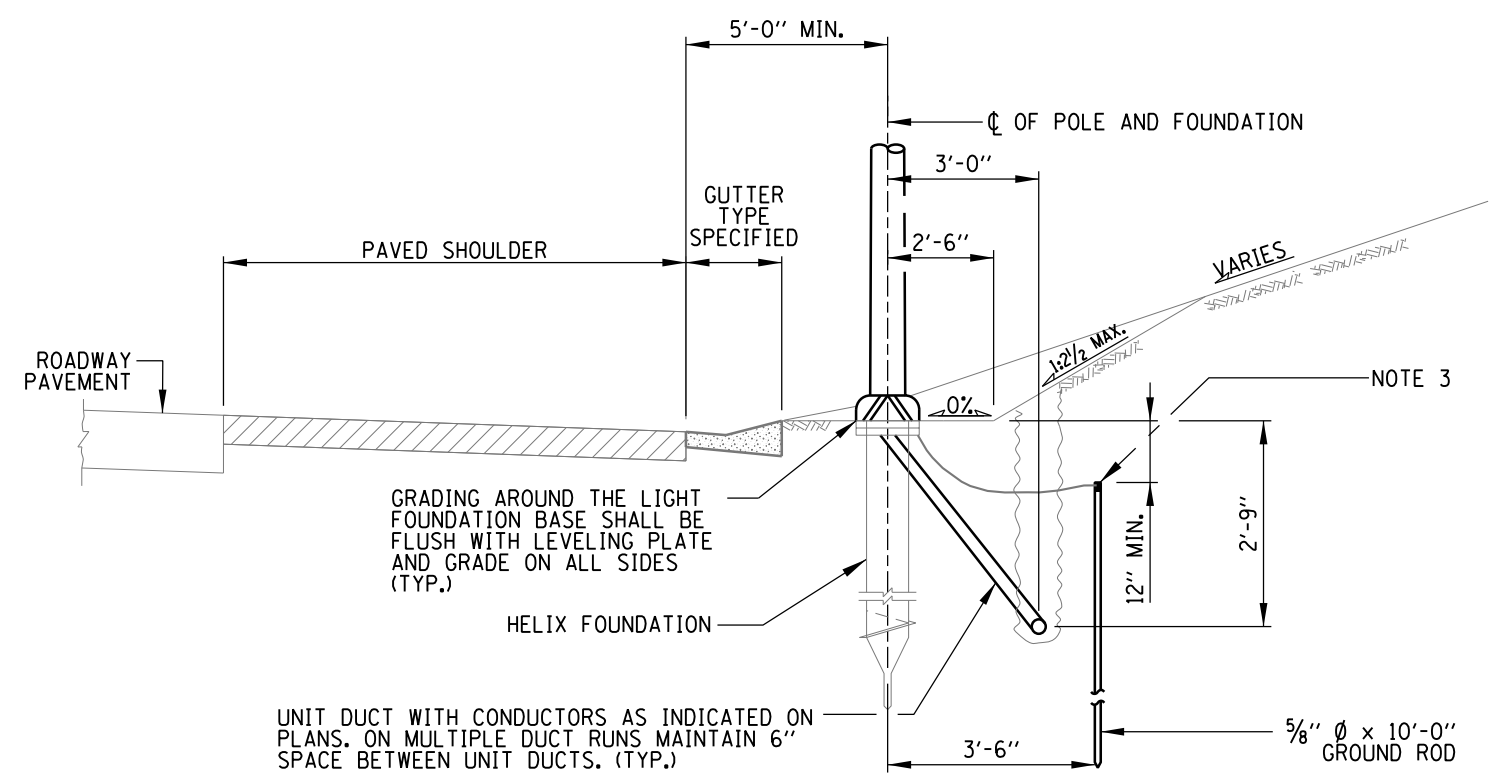
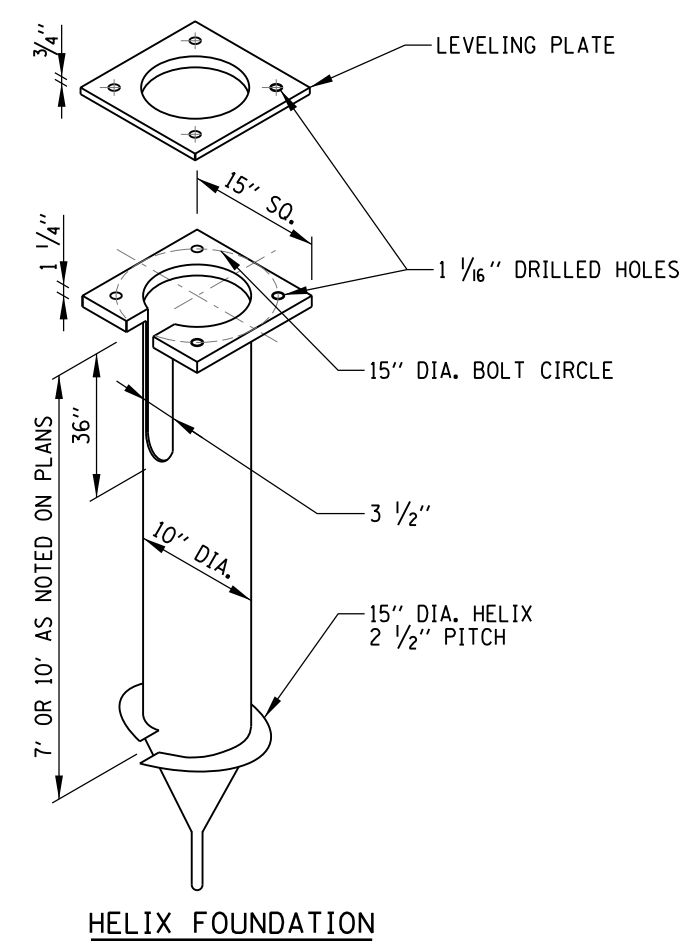


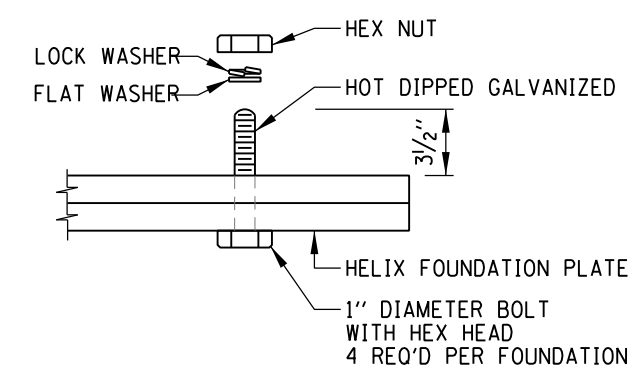
PLAN  
HELIX FOUNDATION GRADING PLAN WITH BACKSLOPE



HELIX FOUNDATION ADJACENT TO GUTTER WITH BACKSLOPE



HELIX FOUNDATION



HELIX FOUNDATION  
BASE ATTACHMENT DETAIL

NOTE:  
SEE SHEET 1 OF THIS SERIES FOR NOTES.

CONTRACT 60131 SHEET 955 OF 963  
SHEET 4 OF 6



LIGHT STANDARD  
FOUNDATION

STANDARD H1-01

APPROVED *Paul Kovacs* CHIEF ENGINEER DATE 2-7-2012