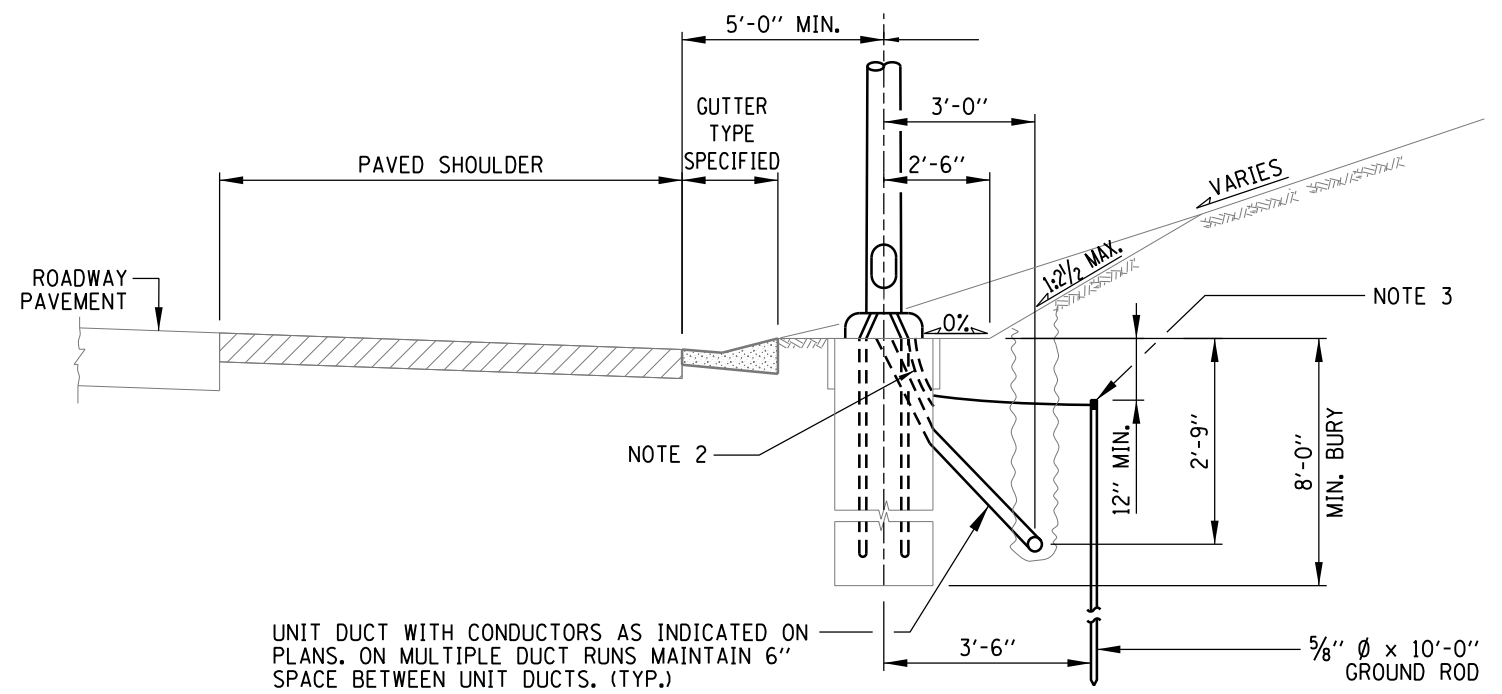
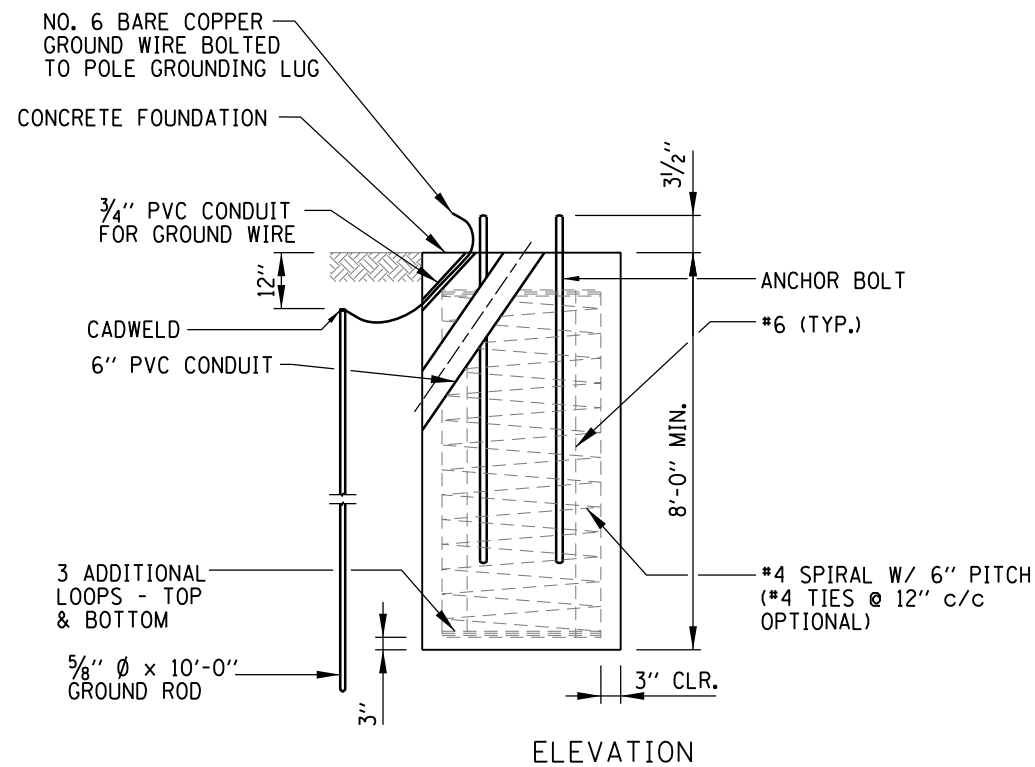


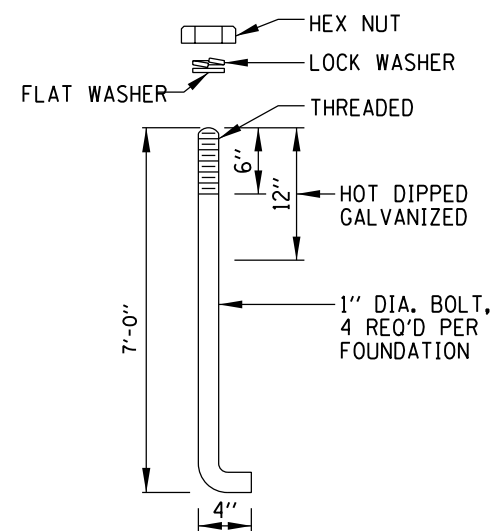
PLAN
CONCRETE FOUNDATION GRADING PLAN WITH BACKSLOPE



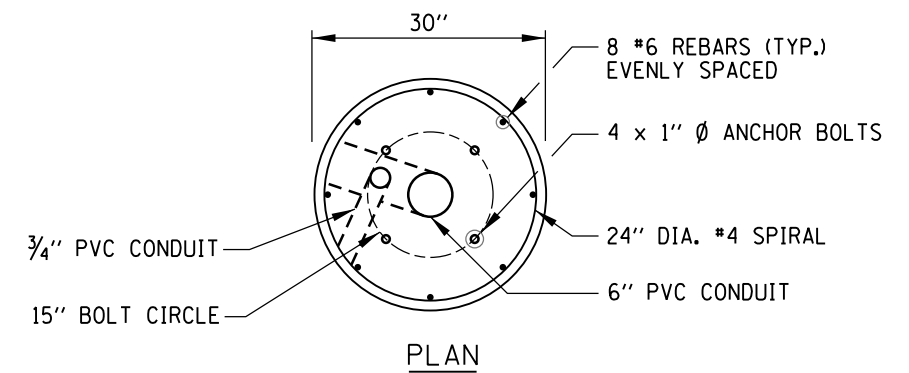
CONCRETE FOUNDATION ADJACENT
TO GUTTER WITH BACKSLOPE



ELEVATION
CONCRETE FOUNDATION DETAILS



ANCHOR BOLT DETAIL



PLAN

NOTE:
SEE SHEET 1 OF THIS
SERIES FOR NOTES.

SHEET 2 OF 6



LIGHT STANDARD
FOUNDATION

STANDARD H1-01

APPROVED *Paul Kovacs* CHIEF ENGINEER DATE 2-7-2012

CONTRACT 60I31 SHEET 953 OF 963