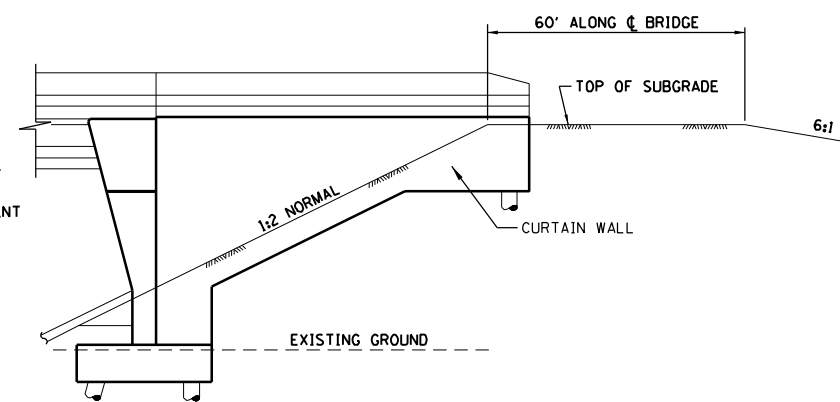


ABUTMENT WING OR CURTAIN WALL

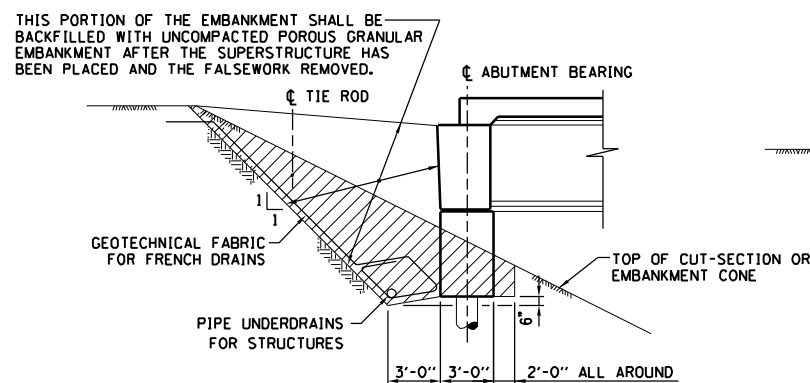
VAULTED ABUTMENT

LEGEND:

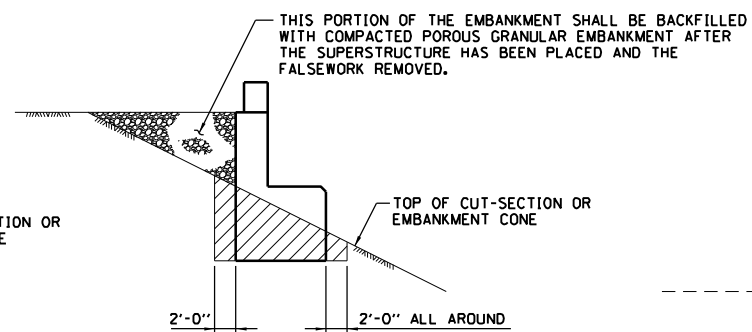
- STRUCTURE EXCAVATION
- SAND ABUTMENT FILL
- COMPACTED POROUS GRANULAR EMBANKMENT
- UNCOMPACTED POROUS GRANULAR EMBANKMENT



VAULTED ABUTMENT

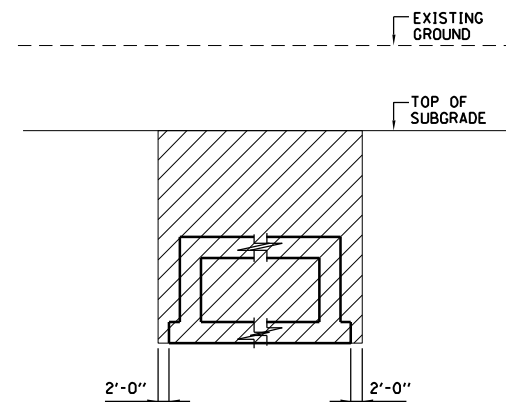


INTEGRAL ABUTMENT

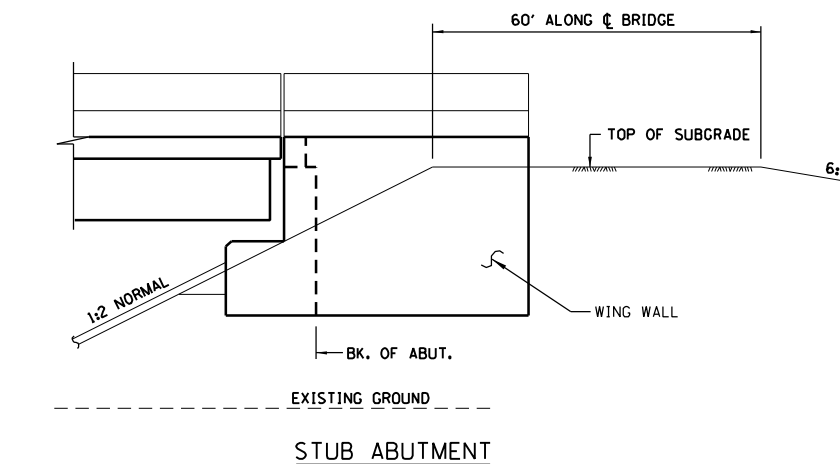


STUB ABUTMENT

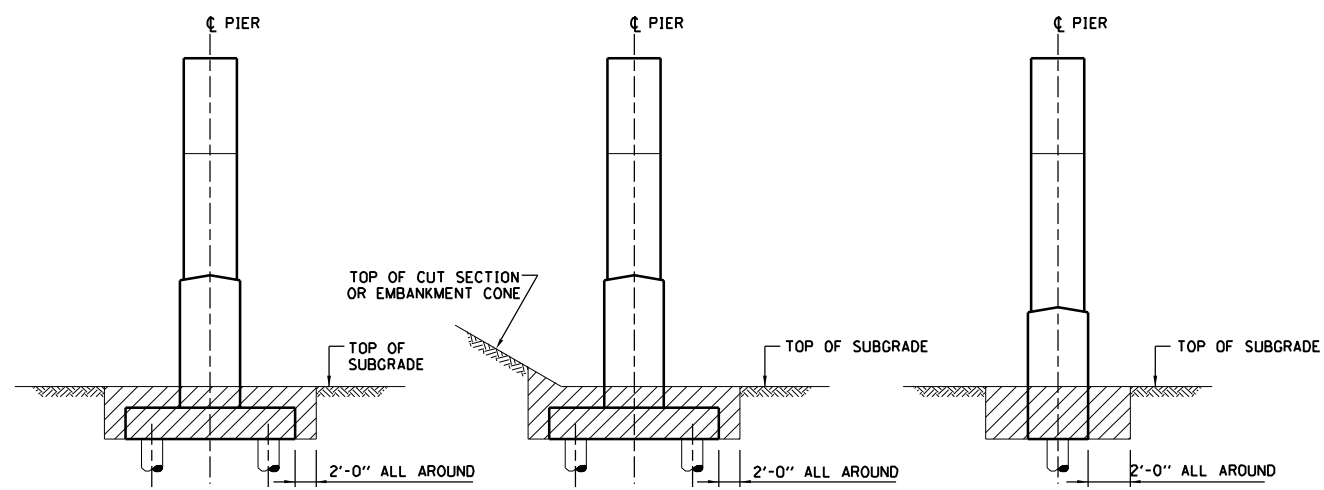
LIMITS OF STRUCTURE EXCAVATION FOR ABUTMENTS



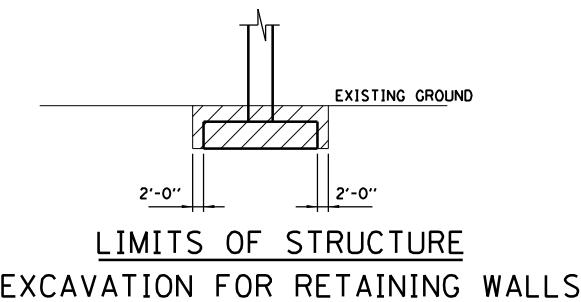
LIMITS OF STRUCTURE EXCAVATION FOR CULVERTS



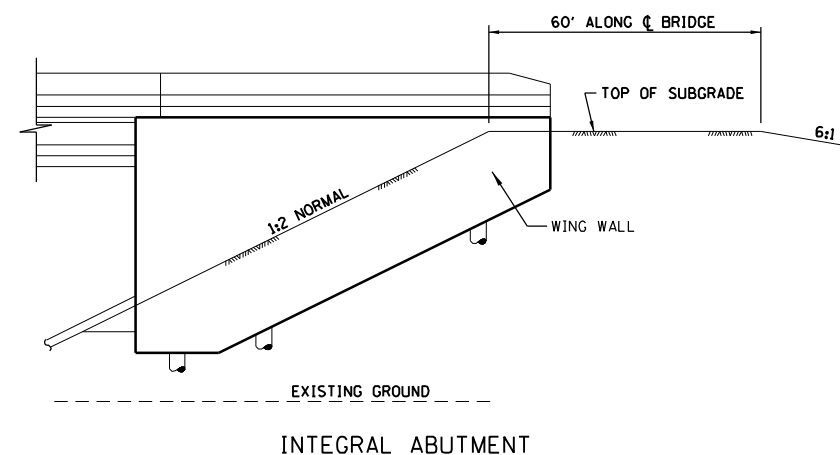
STUB ABUTMENT



LIMITS OF STRUCTURE EXCAVATION FOR PIERS



LIMITS OF STRUCTURE EXCAVATION FOR RETAINING WALLS



INTEGRAL ABUTMENT EMBANKMENT CONE DETAILS

CONTRACT 60I31 SHEET 950 OF 963

NOTES:

1. ALL SLOPES ARE EXPRESSED AS UNITS OF VERTICAL DISPLACEMENT TO UNITS OF HORIZONTAL DISPLACEMENT (V:H).



DATE	REVISIONS
6-1-2009	ADDED NOTES

LIMITS OF STRUCTURE EXCAVATION AND EMBANKMENT CONE DETAILS

STANDARD G1-01

APPROVED *Paul Kovacs* CHIEF ENGINEER DATE 6-1-2009