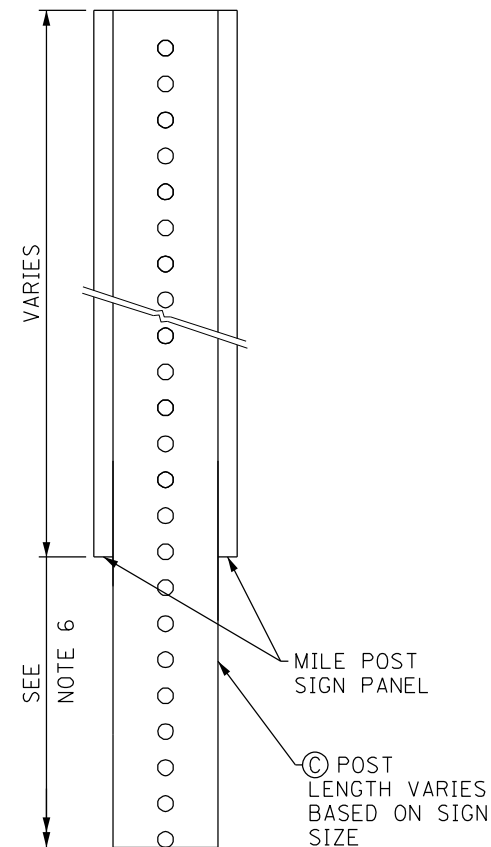


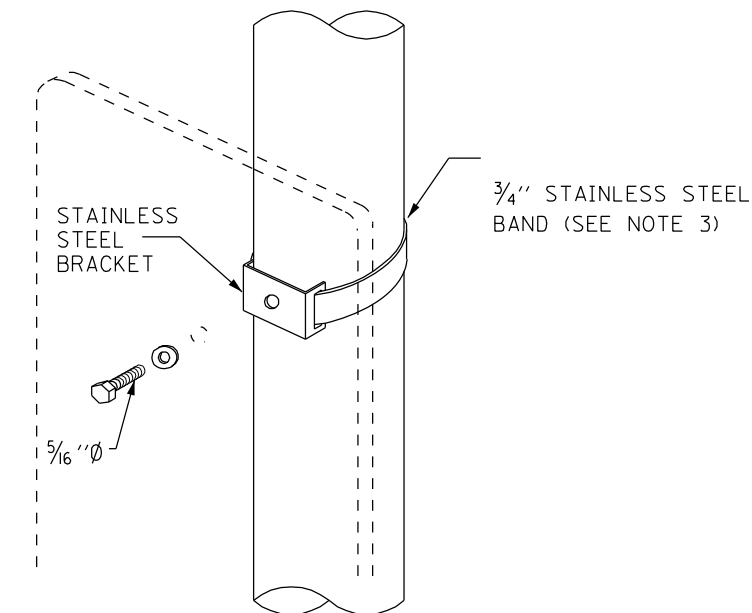
**BARRIER WALL MOUNT DETAIL**

NOT TO SCALE



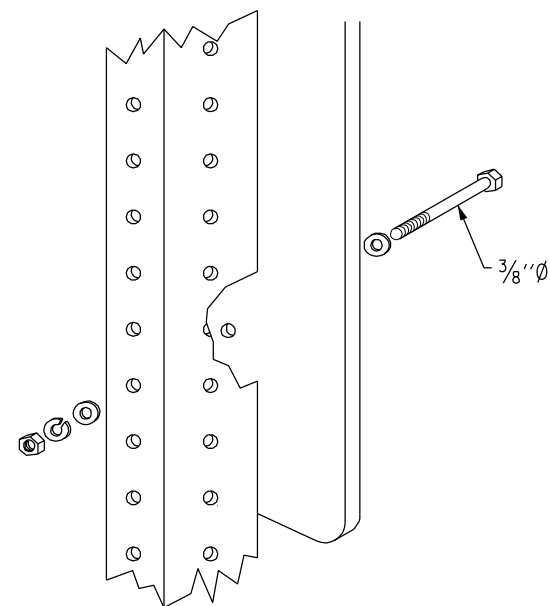
**BARRIER WALL MOUNT DETAIL 2**

NOT TO SCALE



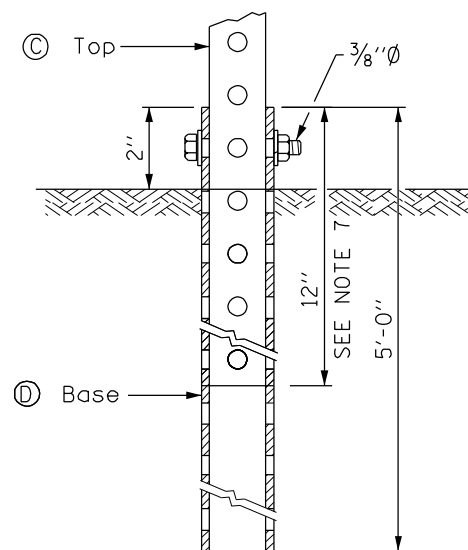
**LIGHT POLE/SIGN STRUCTURE MOUNT DETAIL**

NOT TO SCALE



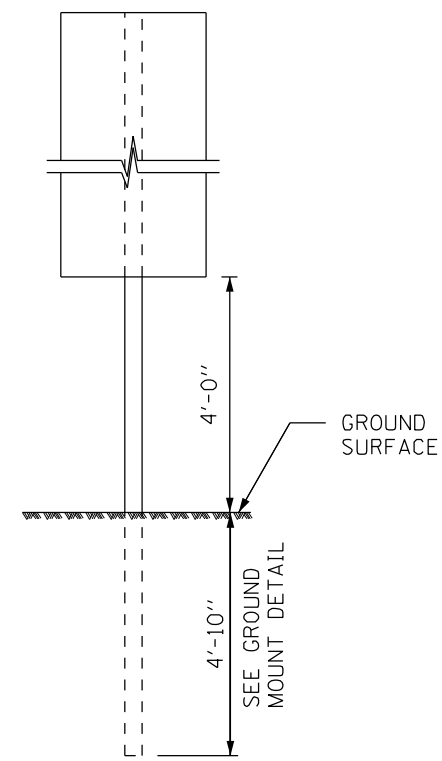
**TELESCOPING STEEL POSTS**

NOT TO SCALE



**GROUND MOUNT DETAIL**

NOT TO SCALE



**ONE POST INSTALLATION**

NOT TO SCALE

**GENERAL NOTES:**

1. ALL ANCHOR BOLTS FOR MEDIAN BARRIER MOUNT DETAIL SHALL BE 3/8" DIA. RED HEAD "TRUBOLT" OR APPROVED EQUAL.
2. ALL DIMENSIONS ARE IN INCHES UNLESS SHOWN OTHERWISE.
3. FOLLOWING ARE THE STEPS FOR FASTENING THE MILEPOST MARKER SIGN PANEL. ALL MOUNTING DETAILS SHOWN ON THIS SHEET APPLY:
  - a. CENTER ALL FASTENERS ON THE SIGN PANEL.
  - b. START AND FINISH THE FASTENER SPACING USING A MINIMUM OF 3" TO A MAXIMUM OF 6" FROM THE TOP AND BOTTOM EDGE OF THE SIGN PANEL.
  - c. THE DISTANCE BETWEEN SUCCESSIVE FASTENERS SHALL NOT EXCEED 2'-0".
4. CENTER THE 5/16" DIA. BOLT IN THE MIDDLE OF THE SIGN.
5. USE THE SAME ATTACHMENT FOR BACK TO BACK MILEPOST MARKER SIGN.
6. DISTANCE FROM THE GROUND TO THE BOTTOM OF THE MILEPOST MARKER SIGN SHALL HAVE A MINIMUM OF 4'-0" REGARDLESS OF BARRIER TYPE.
7. THE TOP SECTION SHALL BE TELESCOPED INTO THE BASE SECTION 12 INCHES AND FASTENED TOGETHER.
8. ALL BOLTS SHALL BE GALVANIZED, A325 GRADE UNLESS OTHERWISE NOTED.
9. FOR ATTACHMENT TO BRIDGE PARAPET USE BARRIER MOUNT WALL DETAIL. ONLY ONE PANEL REQUIRED WHEN ATTACHED TO PARAPET ALONG OUTSIDE SHOULDER.

(A)	2 1/4" x 2 1/4" x 1'-0" (12 GA.)
(B)	2 1/4" x 2 1/4" x 2'-2" (12 GA.)
(C)	2" x 2" x VARIES (12 GA.)
(D)	2 1/2" x 2 1/2" x 5'-0" (12 GA.)

