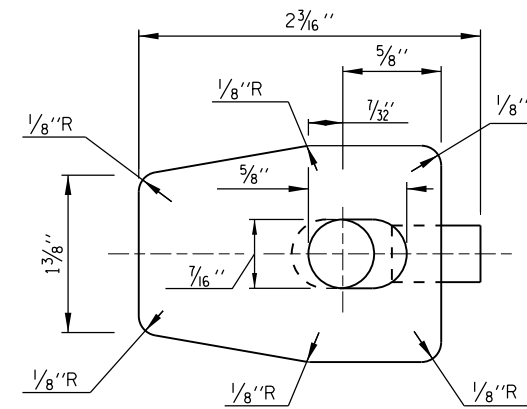
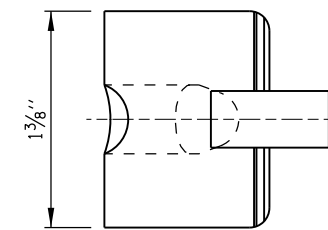


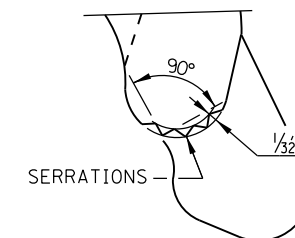
12" PANEL
TYPE B SIGN PANEL EXTRUSIONS



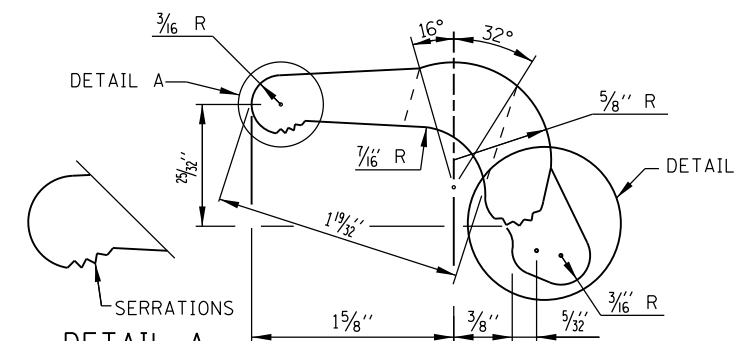
PLAN VIEW



END VIEW

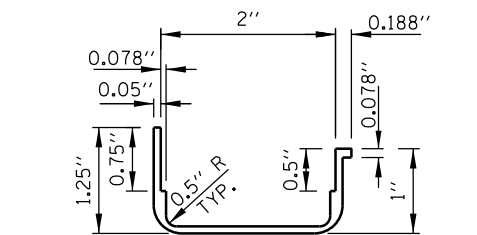


DETAIL B
(ENLARGED DETAIL OF SERRATIONS)

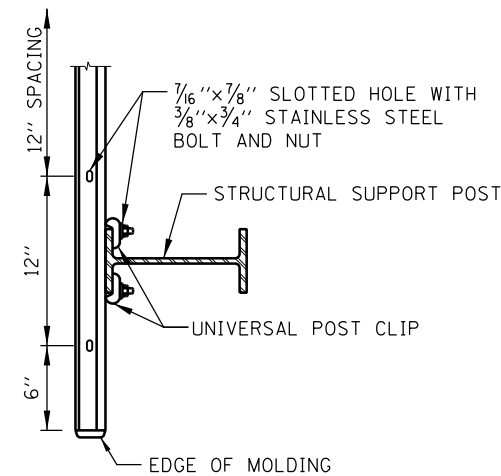


ELEVATION VIEW

DETAIL A
(ENLARGED VIEW OF SERRATIONS)

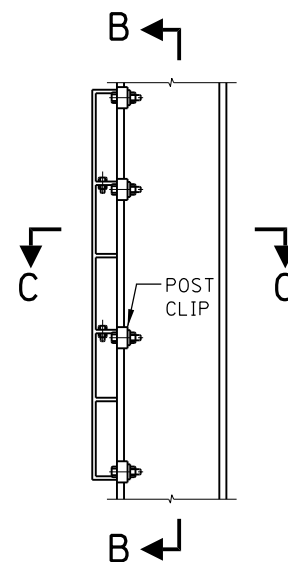


EDGE MOLDING SECTION
FOR SIGN PANEL

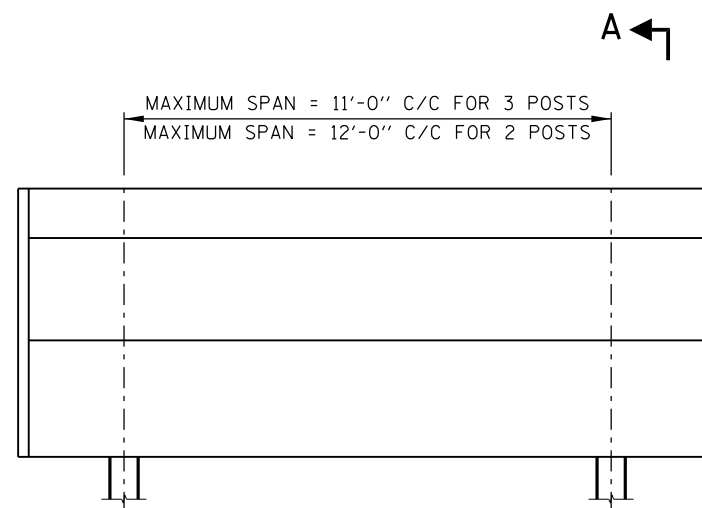


SECTION C-C

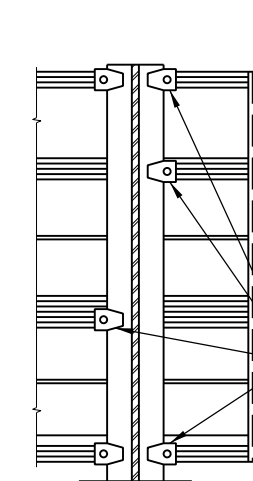
ALUMINUM CLIP DETAIL



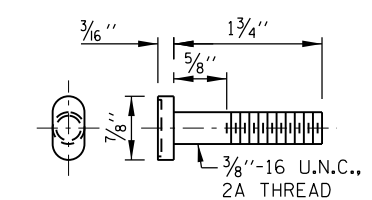
SECTION A-A



FACE OF SIGN PANEL



SECTION B-B



POST CLIP BOLT
STAINLESS STEEL

PROVIDE TWO (2) POST CLIPS AT TOP AND BOTTOM. ALTERNATE INTERIOR POST CLIPS ON SIGNS UNDER 24 FEET LONG AND OVER HEAD MOUNTED SIGNS. DO NOT ALTERNATE INTERIOR CLIPS ON OTHER SIGNS.

CONTRACT 60I31 SHEET 946 OF 963



DATE	REVISIONS
1-1-2009	MODIFIED TYPE B SIGN PANEL DIM.
	MODIFIED POST CLIP DETAIL
2-7-2012	REMOVED DETAIL FOR MOUNTING 2 PANEL SIGN

MISCELLANEOUS DETAILS
AND ALUMINUM SIGN PANELS

STANDARD F10-02

APPROVED *Paul Kovacs* CHIEF ENGINEER DATE 2-7-2012