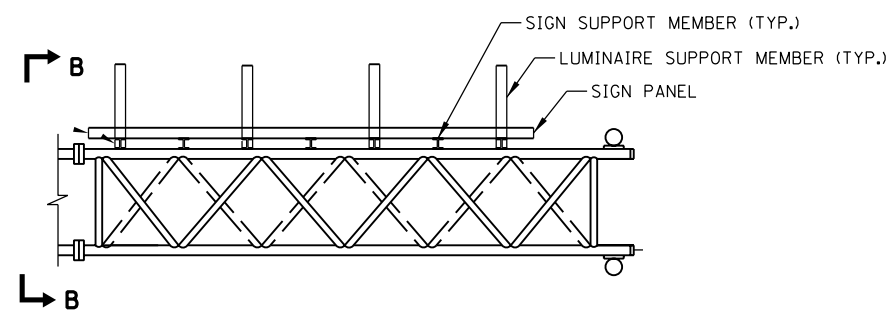
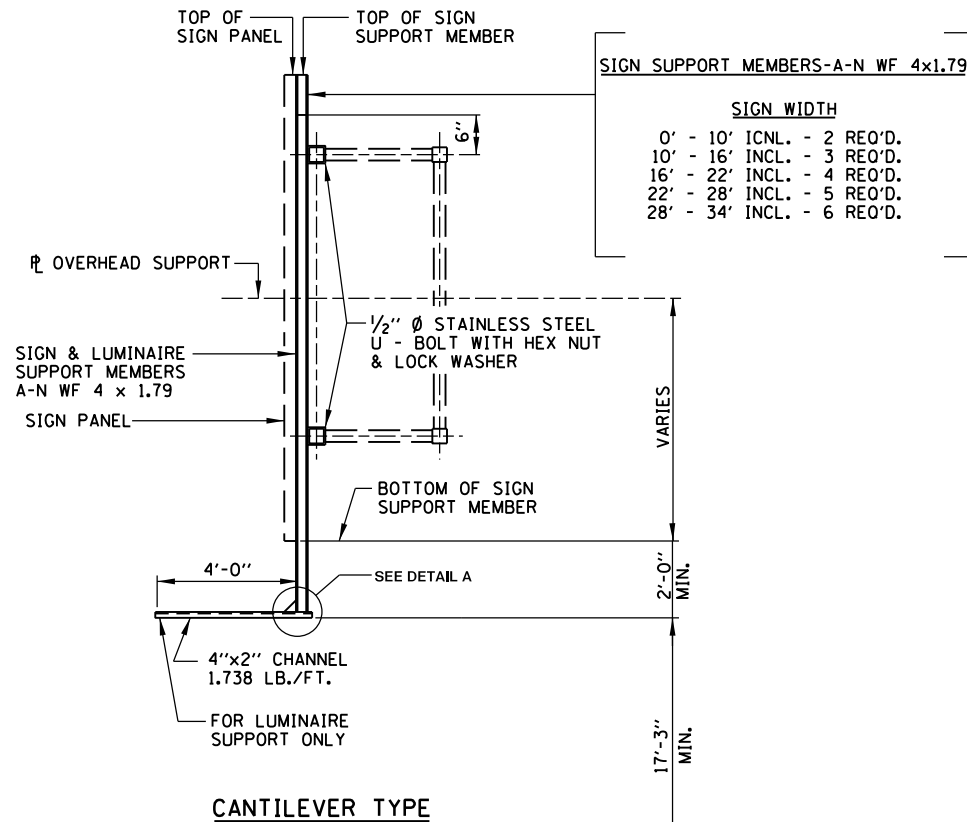


PLAN

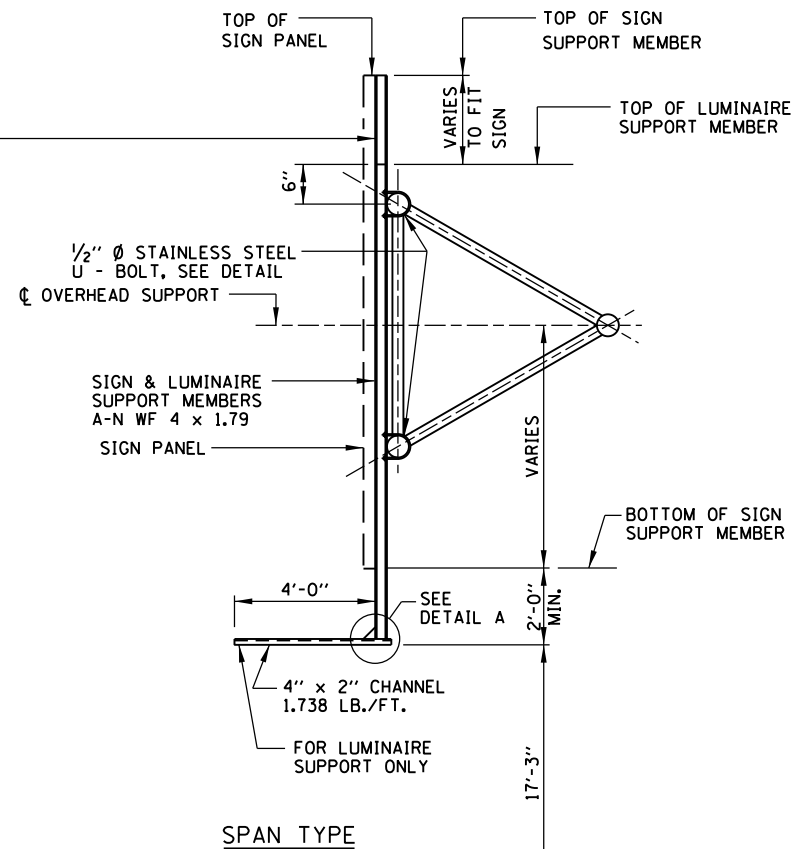


PLAN



CANTILEVER TYPE

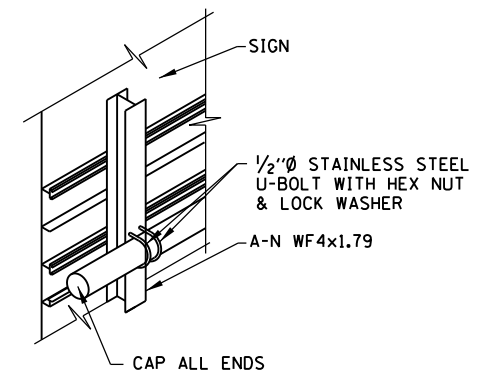
SECTION A-A



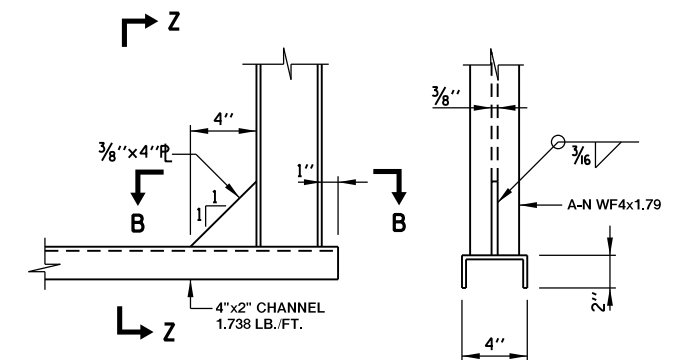
SPAN TYPE

SECTION B-B

SIGN SUPPORT MEMBERS-A-N WF 4x1.79	
SIGN WIDTH	
0' - 10' ICNL.	- 2 REQ'D.
10' - 16' INCL.	- 3 REQ'D.
16' - 22' INCL.	- 4 REQ'D.
22' - 28' INCL.	- 5 REQ'D.
28' - 34' INCL.	- 6 REQ'D.

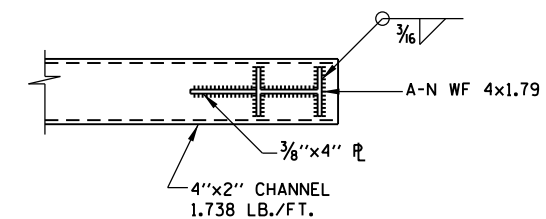


STAINLESS STEEL U-BOLT DETAIL



DETAIL A

SECTION Z-Z



SECTION B-B

NOTES:
ALL MATERIAL IS ALUMINUM (UNLESS OTHERWISE NOTED).

NOTE:

- SIGN PANEL SHALL BE ATTACHED TO TRUSS AS CLOSE TO PANEL JOINTS AS POSSIBLE.
- LUMINAIRE SUPPORT MEMBERS TO BE INSTALLED ONLY WHEN SIGN STRUCTURE IS TO BE ILLUMINATED. DESIGNER TO DETERMINE REQUIREMENTS BASED ON ROADWAY GEOMETRY.

CONTRACT 60I31 SHEET 945 OF 963



DATE	REVISIONS
1-1-2009	ADDED PLAN VIEWS FOR SIGN STRUCTURES
2-7-2012	REVISED OVERHEAD SIGN STRUCTURE CANTILEVER DIAGONALS

OVERHEAD SIGN STRUCTURE
SIGN AND LUMINAIRE
SUPPORTS

STANDARD F8-02

APPROVED *Paul Kovacs* CHIEF ENGINEER DATE 2-7-2012