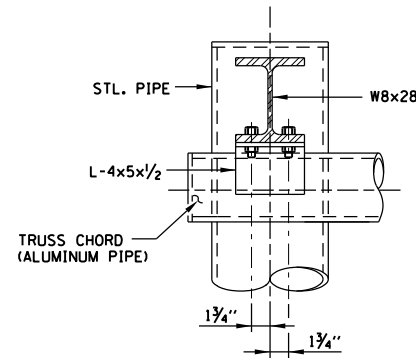
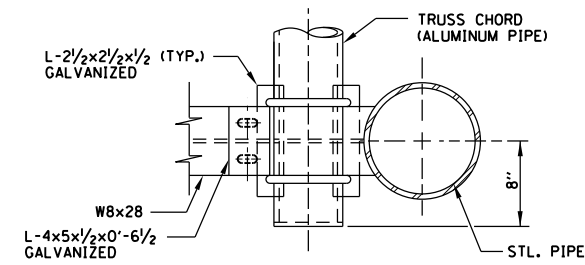


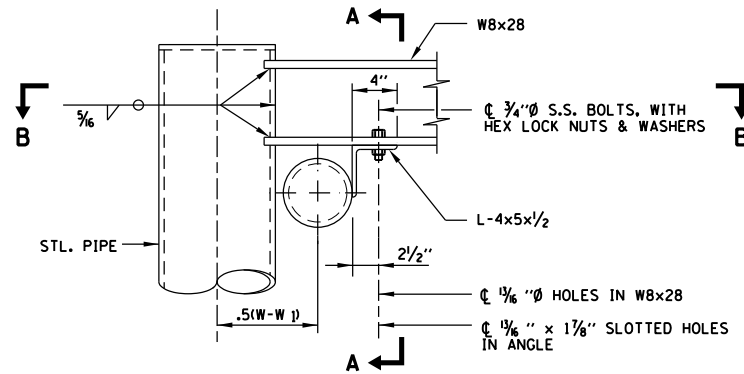
SECTION B-B



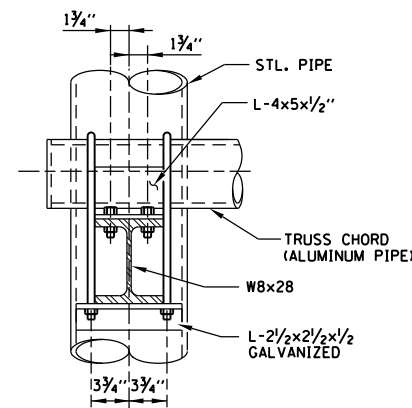
SECTION A-A



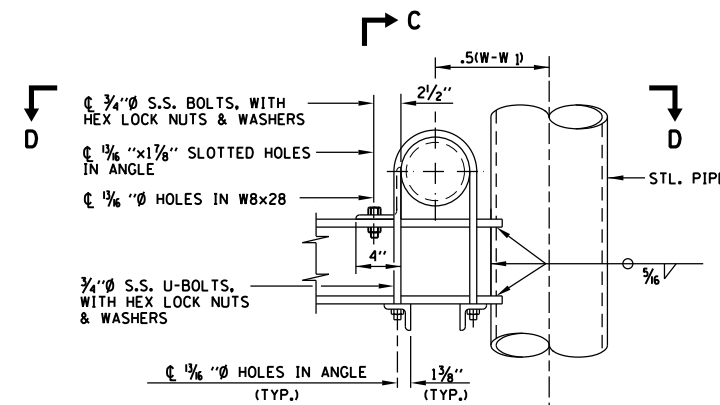
SECTION D-D



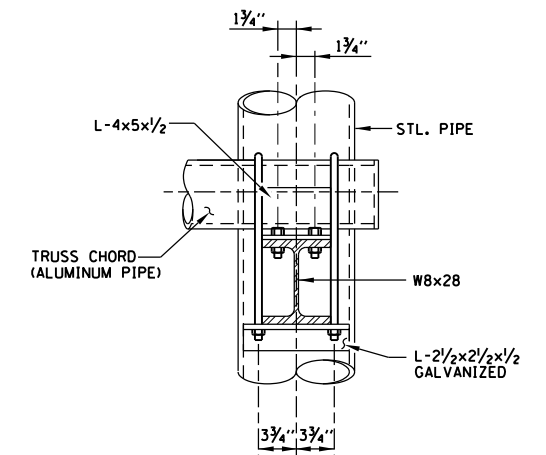
DETAIL A



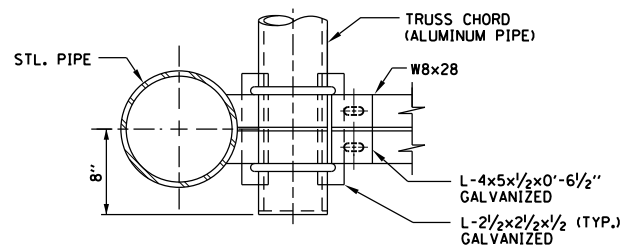
SECTION F-F



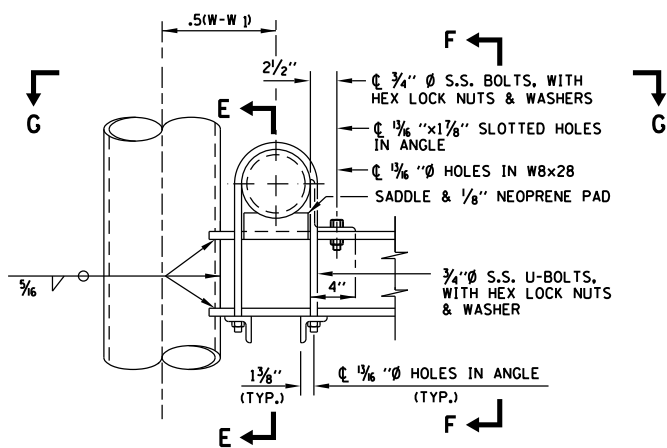
DETAIL B



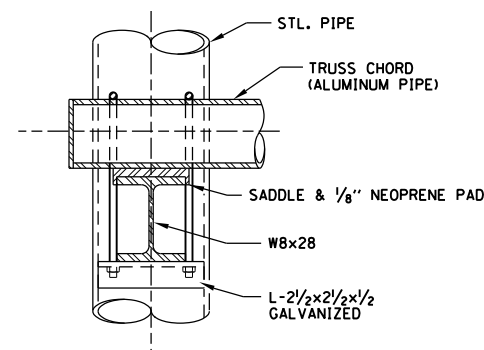
SECTION C-C



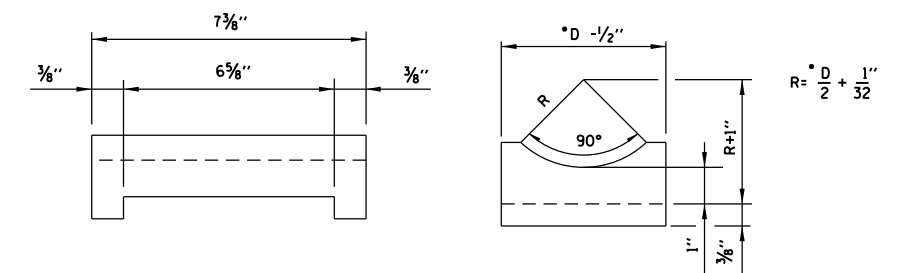
SECTION G-G



DETAIL C



SECTION E-E



SADDLE (SHIM) DETAIL  
(ALUMINUM)

NOTES:

- FOR LOCATION OF DETAILS A, B, & C, SEE SHEET 1 (OF 2) IN THIS SERIES.
- \*D=OUTSIDE DIAMETER OF CHORD

CONTRACT 60I31 SHEET 941 OF 963  
SHEET 2 OF 2

APPROVED *Paul Kovacs* CHIEF ENGINEER DATE 2-7-2012

**Illinois Tollway**  
Open Roads for a Faster Future

OVERHEAD SIGN STRUCTURE  
SPAN TYPE, ALUMINUM, DETAILS

STANDARD F1-01