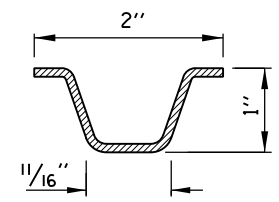
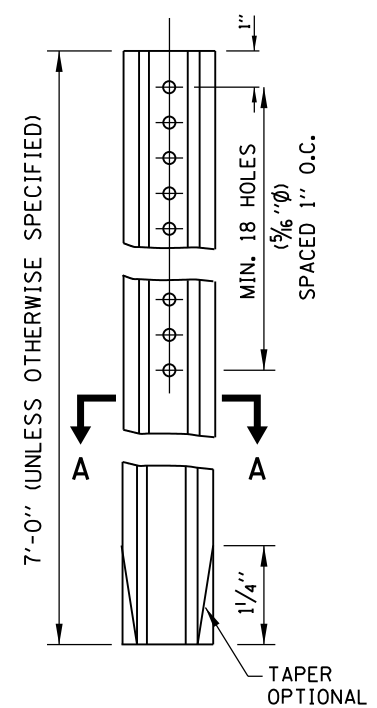


POST MOUNTED DELINEATOR SPACING ON CURVES

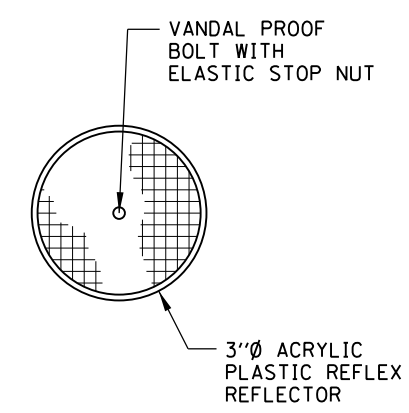
RADIUS OF CURVE (FT.)	SPACING ON CURVE (FT.)	SPACING IN ADVANCE AND BEYOND CURVE (FT.)		
		1ST	2ND	3RD
LESS THAN 100	20	40	65	125
100 - 174	30	60	90	180
175 - 224	35	70	110	200
225 - 274	40	85	125	200
275 - 349	50	95	145	200
350 - 449	55	110	170	200
450 - 549	65	125	190	200
550 - 649	70	140	200	200
650 - 749	75	150	200	200
750 - 849	80	165	200	200
850 - 949	85	175	200	200
950 - 1049	90	185	200	200
1050 - 1299	100	200	200	200
1300 - 1999	125	200	200	200
2000 - 2999	150	200	200	200
3000 - 3999	175	200	300	200
MORE THAN 3999	200	200	200	200



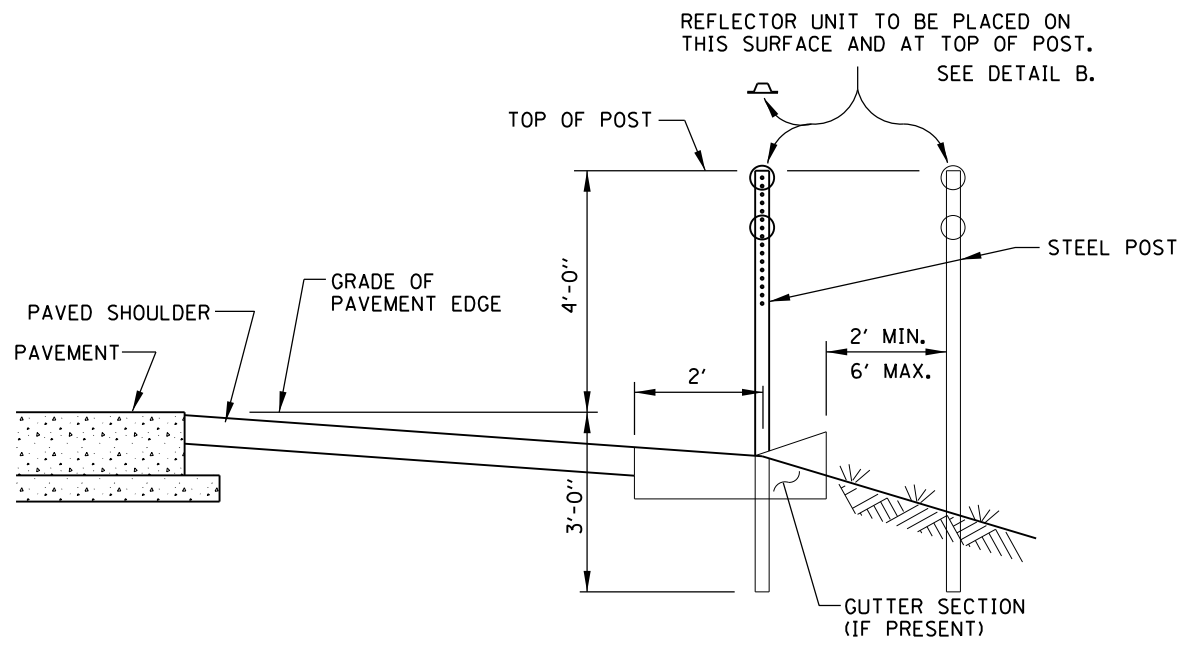
SECTION A-A
STEEL- 1.12 LBS/FT.



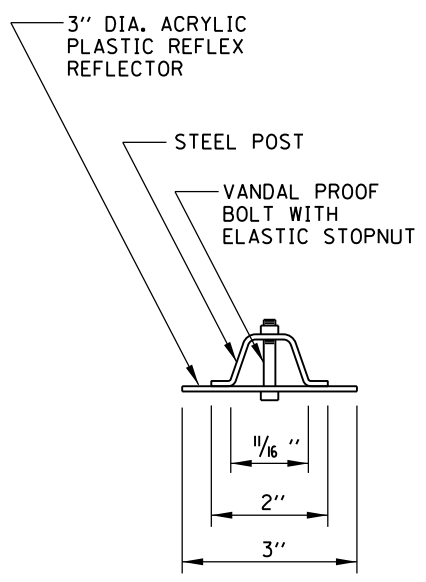
STEEL POST



DELINEATORS



DELINEATOR INSTALLATION



DETAIL B

CONTRACT 60I31 SHEET 927 OF 963
SHEET 2 OF 3



DELINEATORS

STANDARD D4-02

APPROVED *Paul Kovacs* CHIEF ENGINEER DATE 7-1-2009