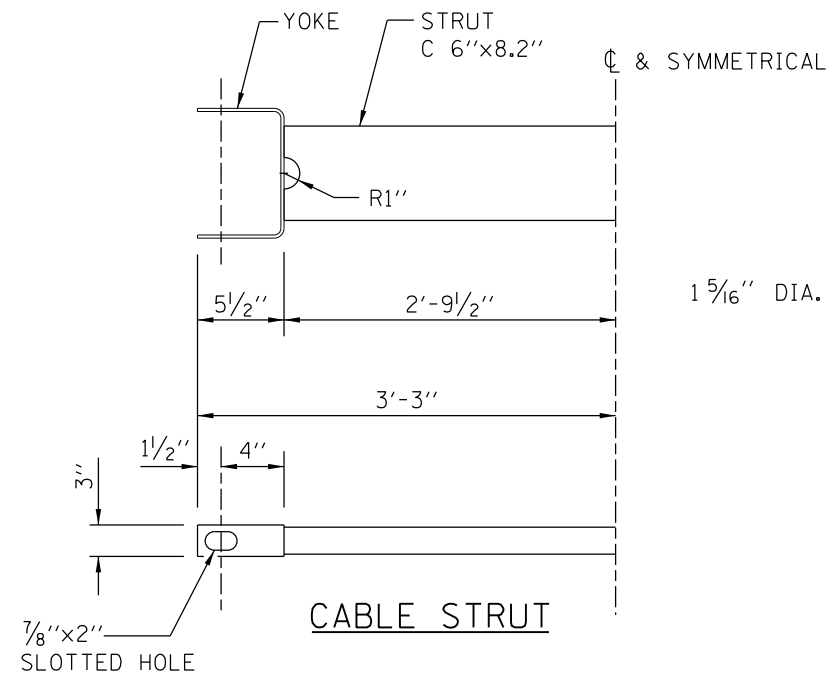
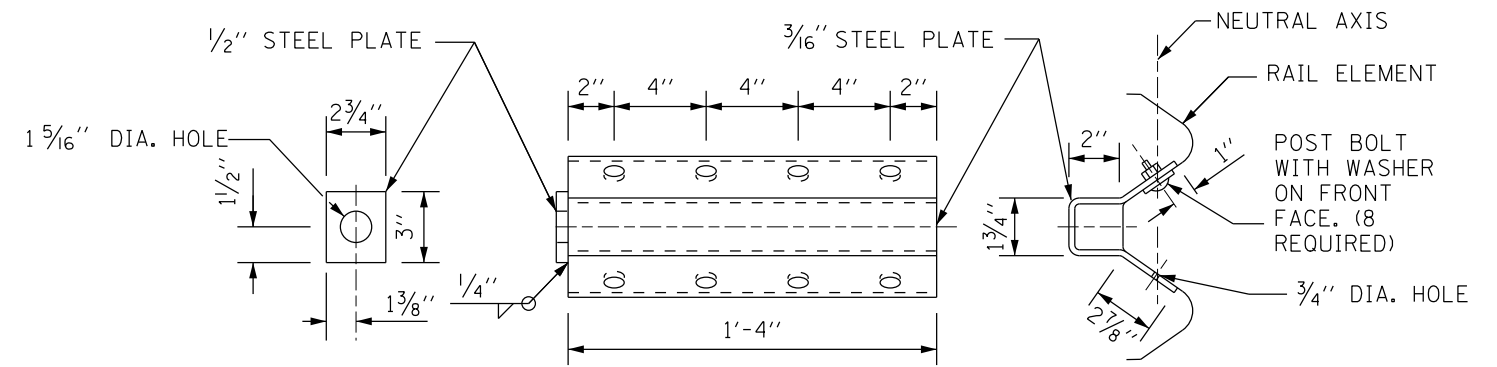


BEARING PLATE K



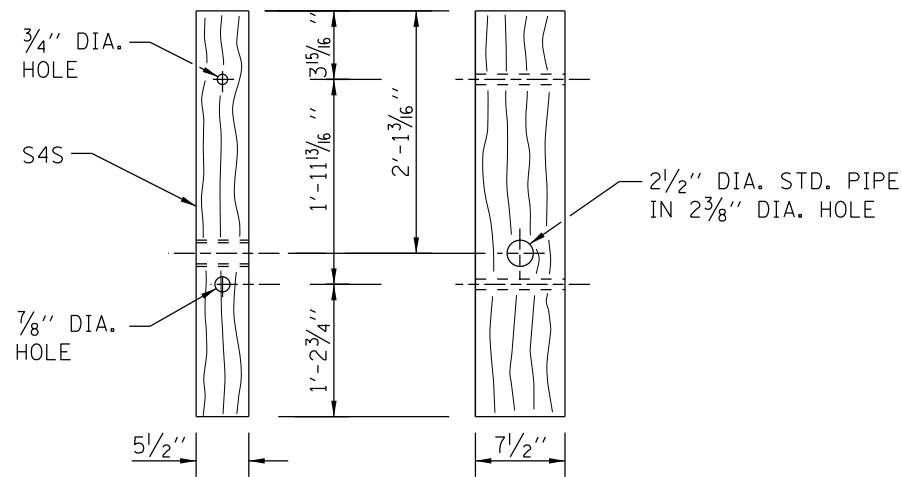
CABLE STRUT



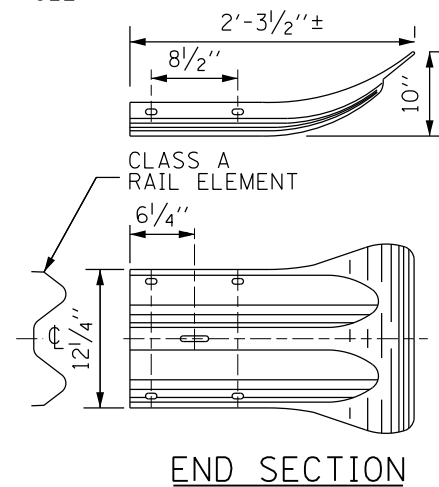
NOTE:

ANCHOR PLATE T SHALL BE USED TO ATTACH CABLE ASSEMBLY TO GUARDRAIL WHEN REQUIRED ON TRAFFIC BARRIER TERMINALS.

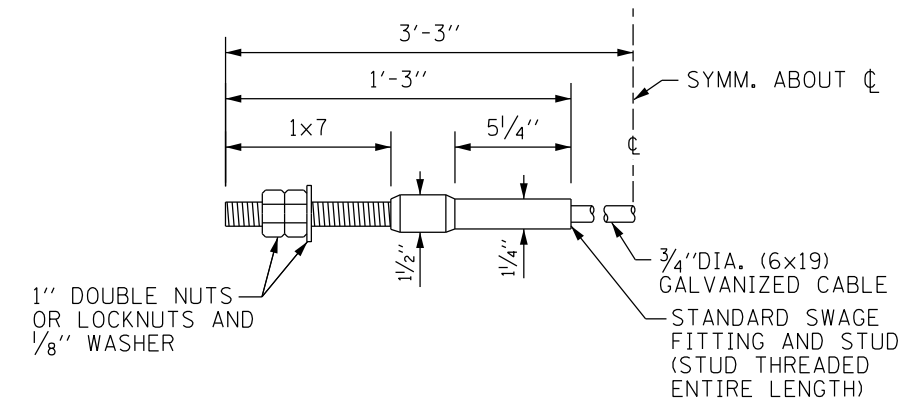
ANCHOR PLATE T DETAILS



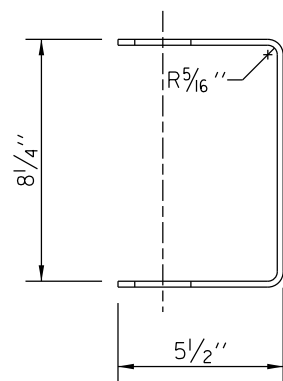
WOOD POST



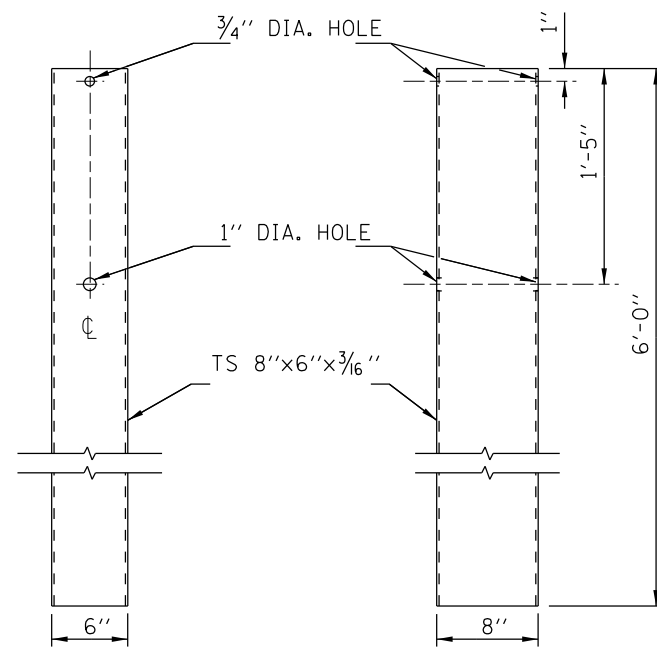
END SECTION



CABLE ASSEMBLY
(40,000 LBS.) MIN. BREAKING STRENGTH)
TIGHTEN TO TAUT TENSION.



YOKE
3/16" THICK STEEL



FRONT

SIDE

STEEL TUBE

NOTE:

SEE SHEET 1 OF THIS SERIES FOR NOTES.

CONTRACT 60I31 SHEET 912 OF 963

SHEET 3 OF 3

APPROVED *Paul Kovacs* CHIEF ENGINEER DATE 7-1-2009



TRAFFIC BARRIER
TERMINAL, TYPE T2

STANDARD C7-03