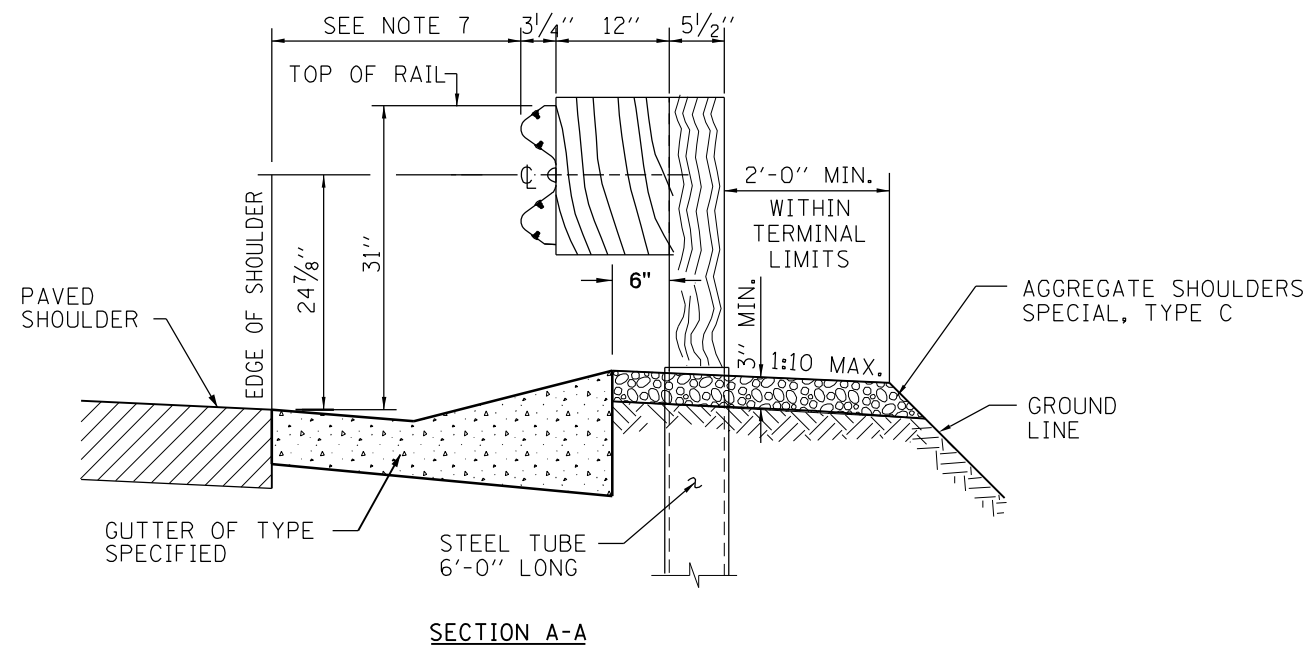


TRAFFIC BARRIER TERMINAL TYPE T2-WITH GUTTER



SECTION A-A

**NOTE:**

SEE SHEET 1 OF THIS SERIES FOR NOTES.

CONTRACT 60I31 SHEET 911 OF 963  
SHEET 2 OF 3



TRAFFIC BARRIER  
TERMINAL, TYPE T2

STANDARD C7-03

APPROVED *Paul Kovacs* CHIEF ENGINEER DATE 7-1-2009