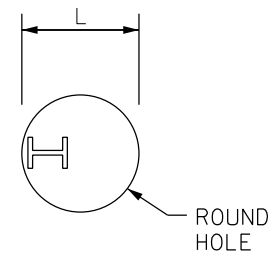
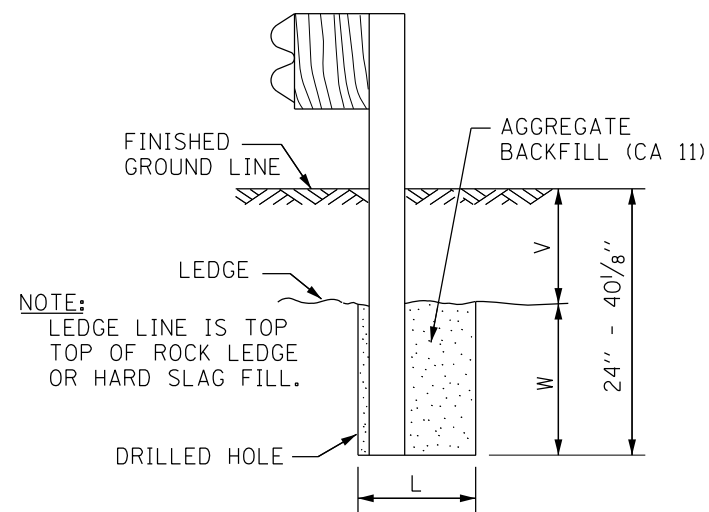


V	W	L	
		STEEL POST	WOOD POST
0 - 16 1/8"	24"	21"	23"
> 16 1/8" - 28 1/8"	12"	8"	10"
> 28 1/8" - 40 1/8"	12" - 0 (*)	8"	10"

* V*W=40 1/8"

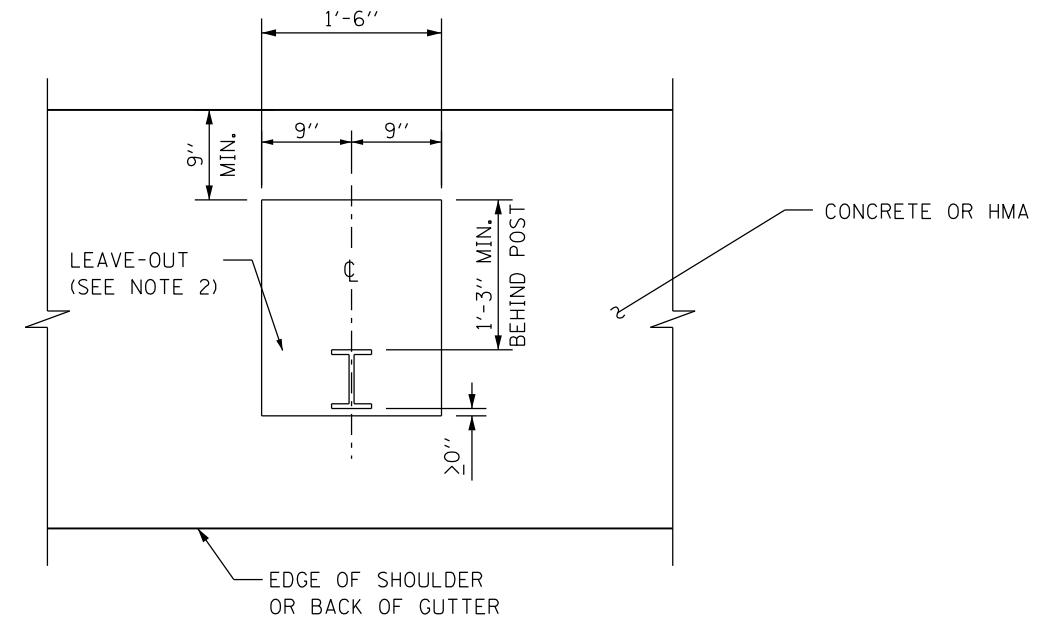


PLAN

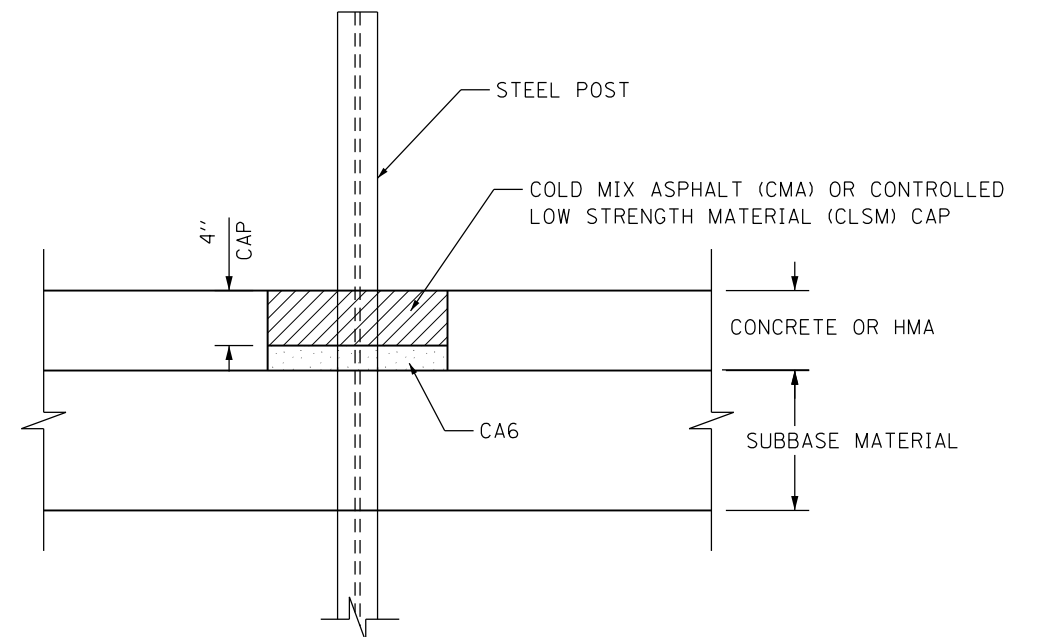


ELEVATION

FOOTING FOR POST WHEN IMPERVIOUS MATERIAL IS ENCOUNTERED



PLAN



ELEVATION

LEAVE-OUTS

NOTES:

1. CAP SHALL BE INSTALLED TO MATCH THE EXISTING CROSS SLOPE.
2. THE LEAVE-OUT SHALL BE DEFINED AS THE AREA AROUND THE POST THAT IS EITHER OMITTED FROM THE NEW CONSTRUCTION OR REMOVED FROM THE EXISTING CONCRETE OR HMA.

CONTRACT 60I31 SHEET 899 OF 963
SHEET 3 OF 4



GALVANIZED STEEL PLATE
BEAM GUARDRAIL

STANDARD C1-05

APPROVED *Paul Kovacs* CHIEF ENGINEER DATE 7-1-2009