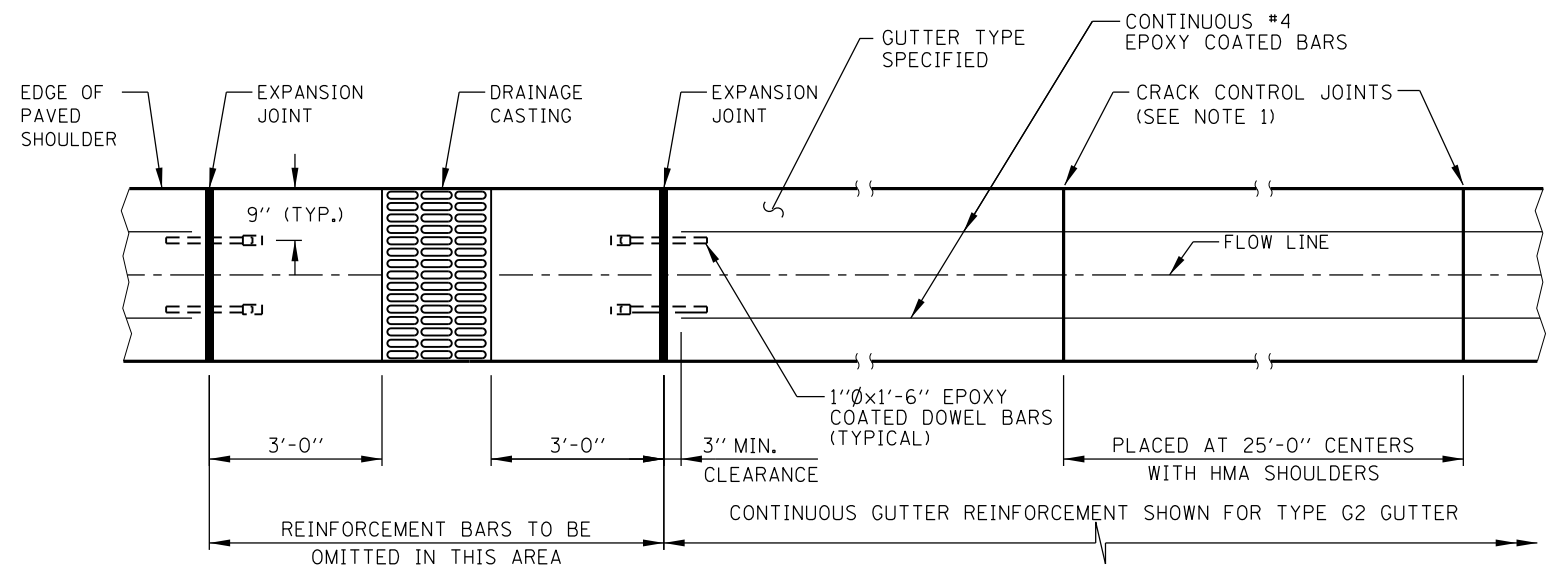
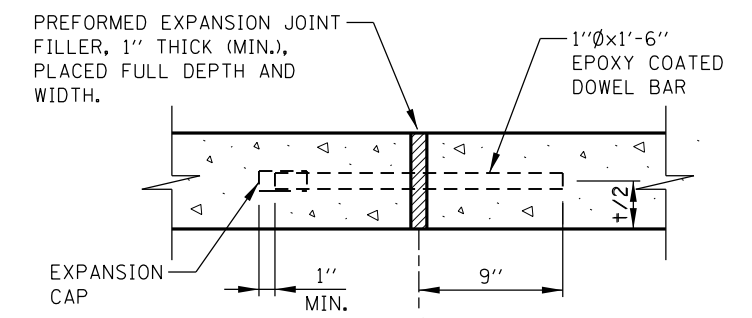
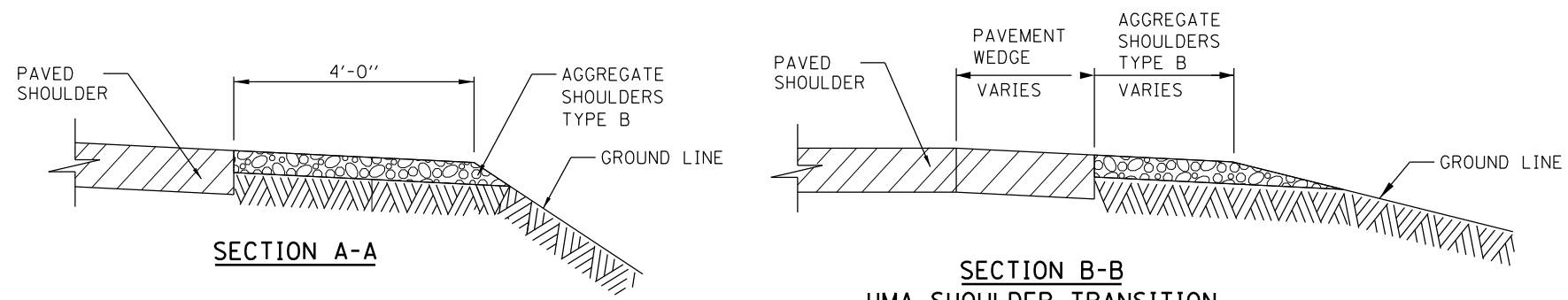


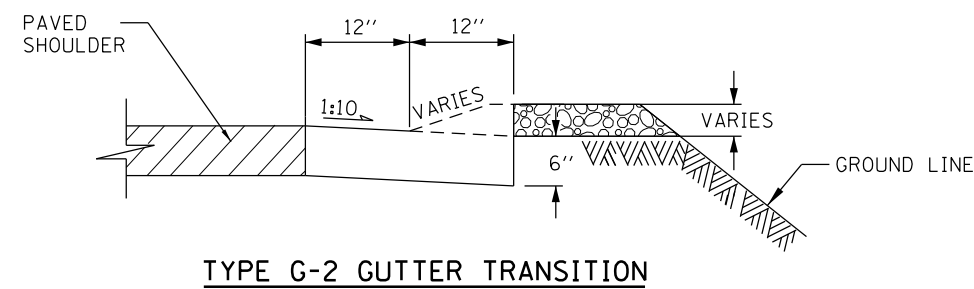
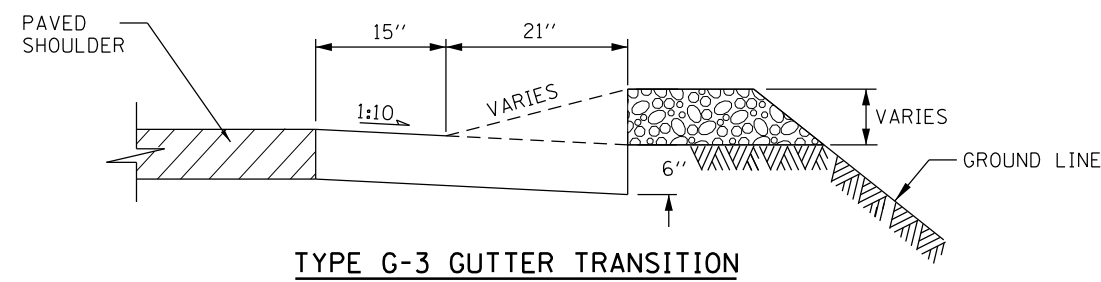
GUTTER TRANSITION TERMINATION



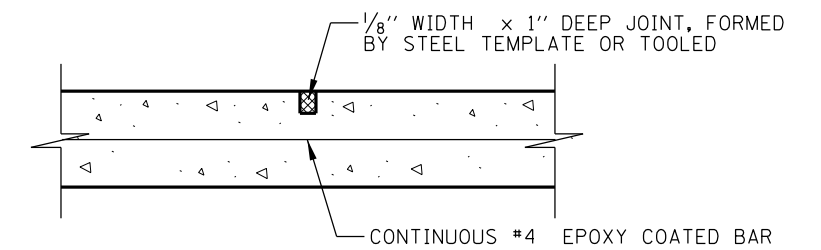
GUTTER PLAN



EXPANSION JOINT



SECTION C-C



CRACK CONTROL JOINT

EXPANSION-CRACK CONTROL JOINTS
TYPE G-3/G-2 GUTTER

CONTRACT 60I31 SHEET 890 OF 963
SHEET 2 OF 2

NOTES:

- GUTTER CRACK CONTROL JOINTS TO ALIGN IN PROLONGATION WITH PCC SHOULDER JOINTS WHERE EXISTING.
- SEE SHEET 1 OF THIS SERIES FOR NOTES.



GUTTER AND CURB DETAILS

STANDARD B1-04

APPROVED: *Paul Kovacs* CHIEF ENGINEER DATE 2-7-2012