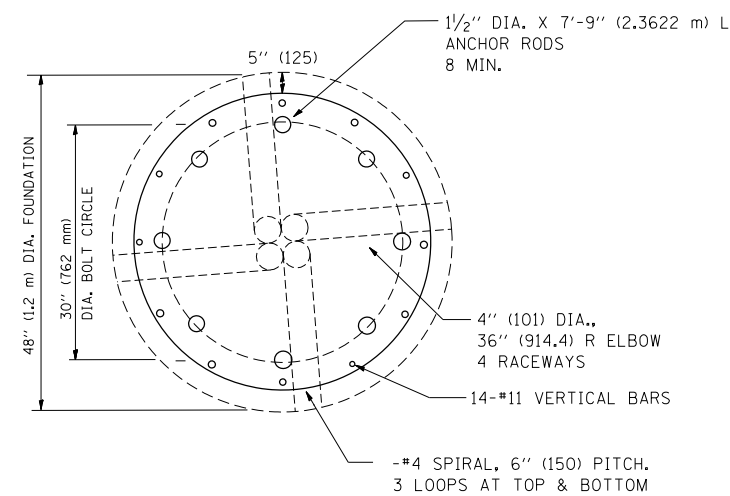


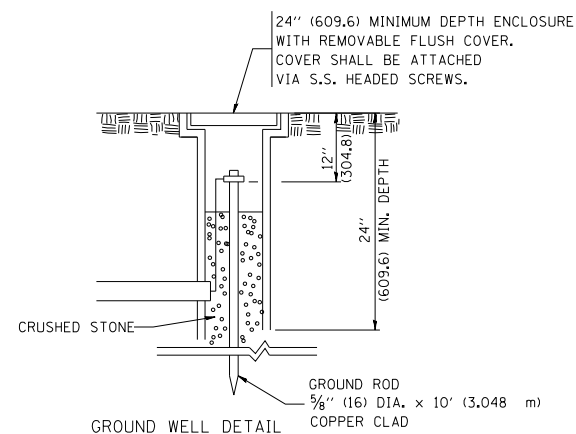
SOIL CONSISTENCY		SHAFT LENGTH (D) TABLE		
		AVERAGE STRENGTH	LIGHT TOWER MOUNTING HEIGHT	
		Qu In tsf (Qu In kPa)	100 FT. (30 m)	110 FT. (34 m)
COHESIVE	SOFT	<0.5 (<50)	22'-6" (6.9 m)	24'-0" (7.2 m)
	MEDIUM	0.5 TO 1 (50 TO 100)	18'-6" (6.9 m)	19'-0" (5.8 m)
	STIFF	1 TO 2 (100 TO 200)	15'-6" (4.7 m)	16'-0" (5.5 m)
	VERY STIFF	2 TO 4 (200 TO 400)	13'-6" (4.1 m)	14'-0" (4.2 m)
	HARD	>4 (>400)	12'-0" (3.6 m)	12'-6" (3.7 m)
GRANULAR		N in BLOWS/FT. (N in BLOWS/0.3m)		
	VERY LOOSE	<5 (<5)	18'-0" (5.4 m)	18'-6" (5.6 m)
	LOOSE	5 TO 10 (5 TO 10)	16'-6" (4.9 m)	17'-0" (5.1 m)
	MEDIUM	10 TO 25 (10 TO 25)	15'-6" (5.2 m)	16'-0" (5.9 m)
	DENSE	25 TO 50 (25 TO 50)	15'-0" (4.5 m)	15'-6" (4.6 m)
	VERY DENSE	>50 (>50)	14'-0" (4.2 m)	14'-6" (4.4 m)

DESIGN NOTES

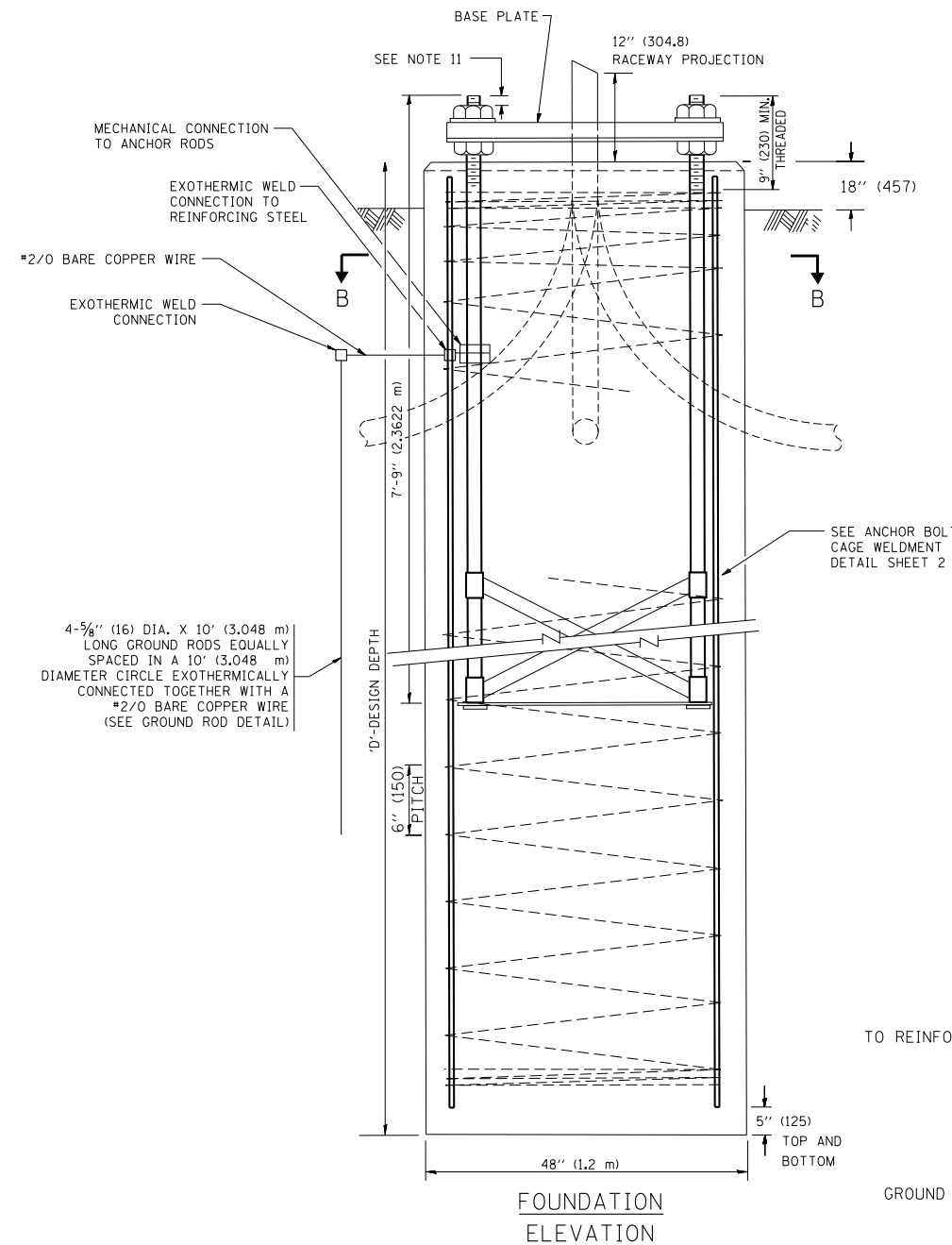
- (1) ALL DIMENSIONS IN INCHES (MILLIMETERS) UNLESS OTHERWISE SHOWN
- (2) THE ANCHOR RODS SHALL BE VERTICAL NO ADJUSTMENT SHALL BE ALLOWED AFTER THE FOUNDATION IS PLACED.
- (3) THE GAP BETWEEN THE FOUNDATION AND THE BASE PLATE SHALL BE ENCLOSED WITH A STAINLESS STEEL SCREEN FASTENED WITH A STAINLESS STEEL BAND.
- (4) THE TOP OF THE FOUNDATION TO 18" (450) BELOW GRADE SHALL BE FORMED.
- (5) SURFACE WATER WILL NOT BE PERMITTED TO ENTER THE HOLE AND ALL WATER WHICH MAY HAVE INFILTRATED INTO THE HOLE SHALL BE REMOVED BEFORE PLACING CONCRETE.
- (6) THE LIGHT TOWER SHALL NOT BE ERECTED UNTIL AFTER THE CONCRETE HAS BEEN CURED ACCORDING TO ARTICLE 1020.13.
- (7) ANCHOR RODS SHALL BE STRAIGHT AND SHALL BE ACCORDING TO AASHTO M 314 OR ASTM F1554, GRADE 725(GRADE 105) AND GALVANIZED ACCORDING TO ARTICLE 1006.9.
- (8) ANCHOR ROD INFORMATION SHALL BE SUBMITTED FOR APPROVAL AND SHALL BE FULLY COORDINATED FOR APPROVAL WITH TOWER MANUFACTURER REQUIREMENTS.
- (9) REINFORCEMENT BARS SHALL BE ACCORDING TO ARTICLE 1006.10
- (10) TWO ANCHOR RODS OPPOSITE EACH OTHER SHALL HAVE THE ANCHOR ROD THREADS PEENED AFTER NUTS ARE INSTALLED.
- (11) A MINIMUM OF THREE FULL THREADS SHALL REMAIN EXPOSED AFTER LIGHT TOWER IS INSTALLED.
- (12) ALL GROUNDING INDICATED IN THE PLANS SHALL BE INCLUDED IN THE COST OF THE LIGHT TOWER FOUNDATION AND SHALL NOT BE PAID FOR SEPARATELY.



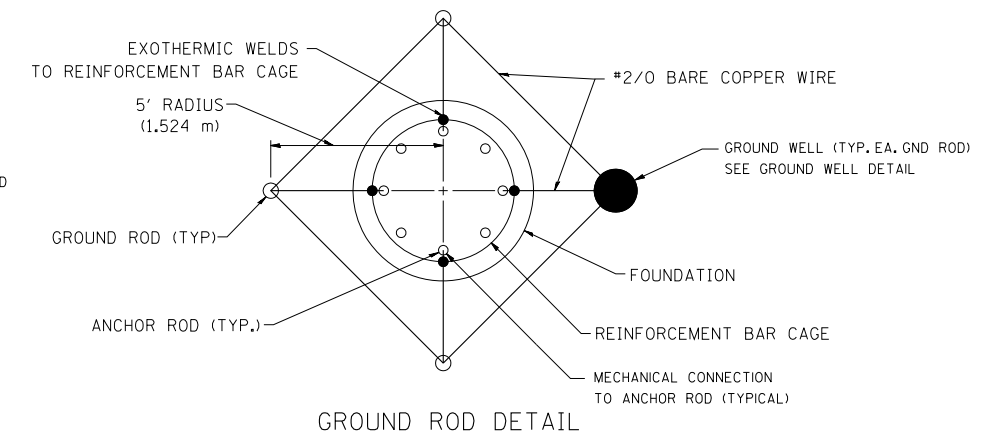
SECTION-B-B



GROUND WELL DETAIL



FOUNDATION ELEVATION



GROUND ROD DETAIL

FILE NAME =	USER NAME = drivakosgn	DESIGNED -	REVISED - R. TOMSONS 04-22-02
ca:\pw_work\p1dot\drivakosgn\d0108315\be501.dgn		DRAWN -	REVISED - R. TOMSONS 03-12-10
		CHECKED -	REVISED - R. TOMSONS 09-02-10
		DATE -	REVISED -

STATE OF ILLINOIS
DEPARTMENT OF TRANSPORTATION

HIGH MAST LIGHT TOWER			
90 FT TO 110 FT (27 m TO 34 m) FOUNDATION DETAIL			
SCALE: NONE	SHEET NO. 1 OF 2 SHEETS	STA.	TO STA.

F.A. RTE.	SECTION	COUNTY	TOTAL SHEETS	SHEET NO.
338	(112 & 113) WRS-5	DUPAGE	963	715
BE-501		CONTRACT NO. 60I31		
FED. ROAD DIST. NO. 1 ILLINOIS FED. AID PROJECT				