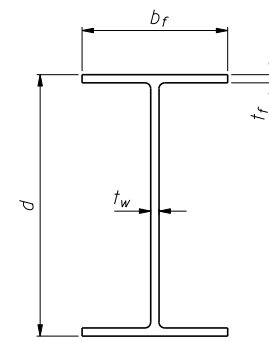
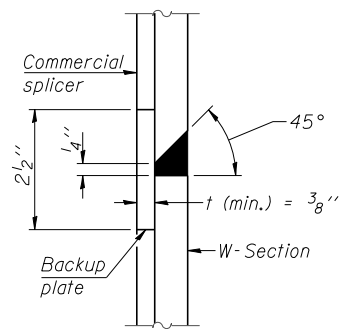


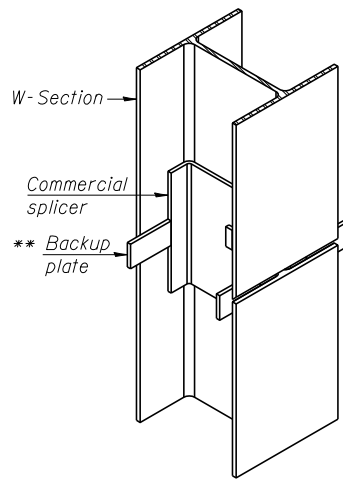
ELEVATION



Designation	Depth d	Flange width b _f	Flange thickness t _f	Web thickness t _w	Encasement diameter A
W27x146	27 ³ / ₈ "	14"	1"	5 ⁵ / ₈ "	36"

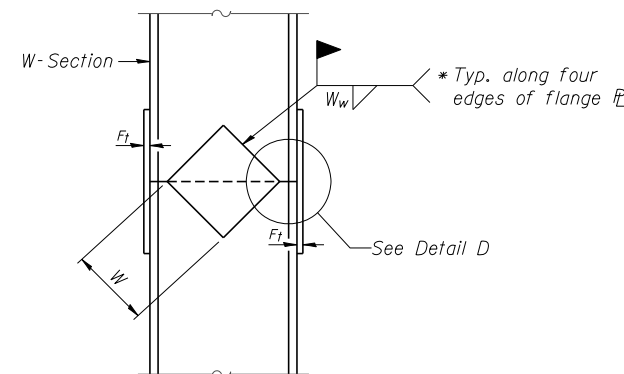


DETAIL "B"

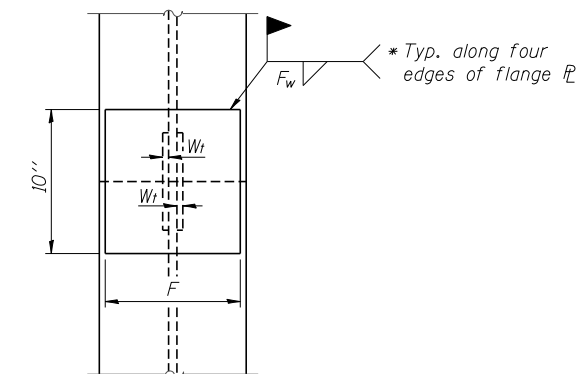


ISOMETRIC VIEW

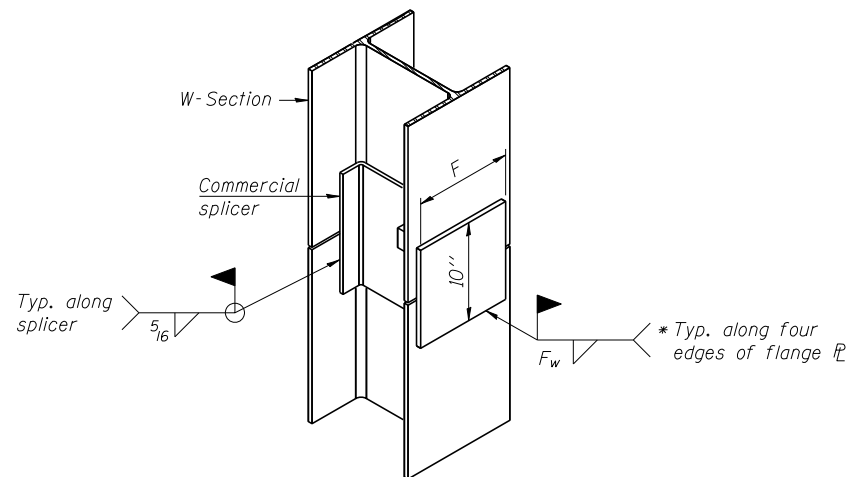
WELDED COMMERCIAL SPLICE



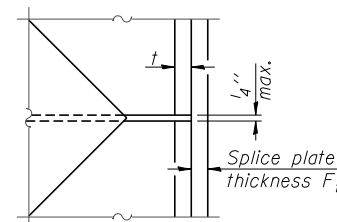
ELEVATION



END VIEW



ISOMETRIC VIEW



DETAIL D

Designation	F	F _t	F _w	W	W _t	W _w
W27x146	12"	1 ¹ / ₄ "	3 ³ / ₄ "	16 ³ / ₄ "	5 ⁵ / ₈ "	3 ³ / ₈ "

WELDED PLATE FIELD SPLICE

WELDED COMMERCIAL SPLICE ALTERNATE

- * Interrupt welds 1/4" from end of web and/or each flange.
- ** Remove portions of backup plates that extend outside the flanges.

Note:
The steel W-Sections shall be according to AASHTO M270 Grade 36.

PILE SPLICE DETAILS
SN 022-W066



Zroka Engineering, P.C.
4216 North Hermitage
Chicago, IL 60613

USER NAME = SAW	DESIGNED - LAS	REVISED -
	CHECKED - DAZ	REVISED -
PLOT SCALE = 0.1667' / IN.	DRAWN - SAW	REVISED -
PLOT DATE = 10/9/2012	CHECKED - JLA	REVISED -

STATE OF ILLINOIS
DEPARTMENT OF TRANSPORTATION

PILE SPLICE DETAILS
STRUCTURE NUMBER 022-W066

SHEET NO. SE-9 OF SE-11 SHEETS

F.A.P. RTE.	SECTION	COUNTY	TOTAL SHEETS	SHEET NO.
338/1L 59	(112 & 113) WRS-5	DUPAGE	963	681
CONTRACT NO. 60131			ILLINOIS FED. AID PROJECT	

FILE NAME = ...E0131-W066-009-PileSpliceDetail.dgn