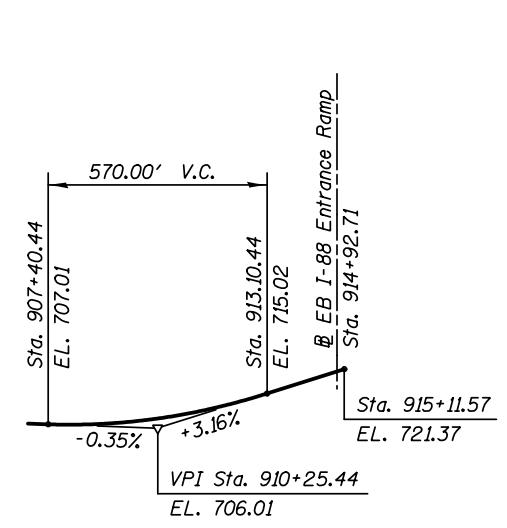
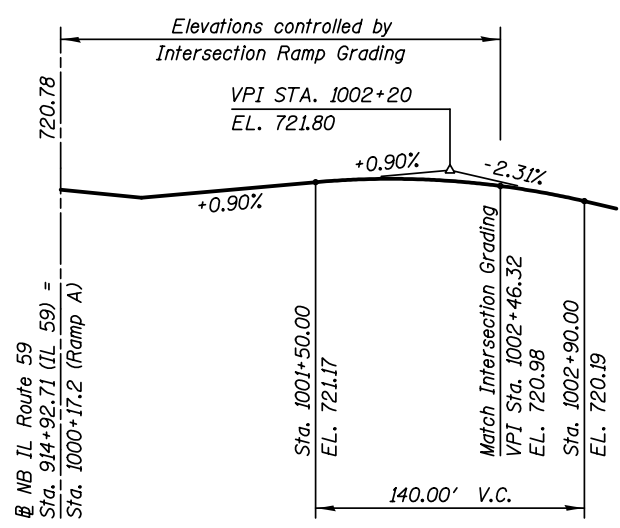


**TYPICAL WALL SECTION**  
(For Details See Sheet SC-06)



**NB IL ROUTE 59 - PROPOSED PROFILE GRADE LINE**



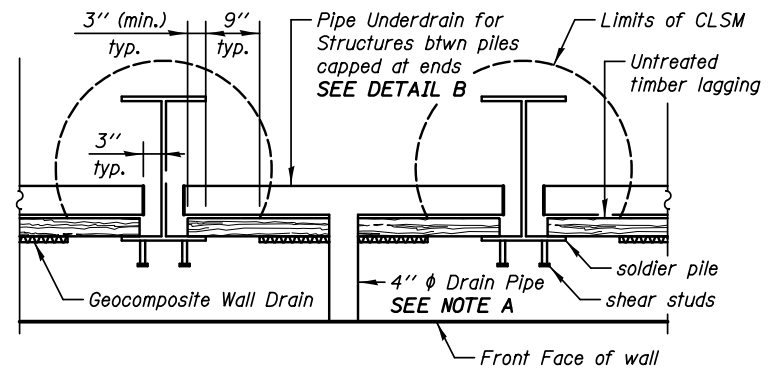
**RAMP A - PROPOSED PROFILE GRADE LINE**

**GENERAL NOTES**

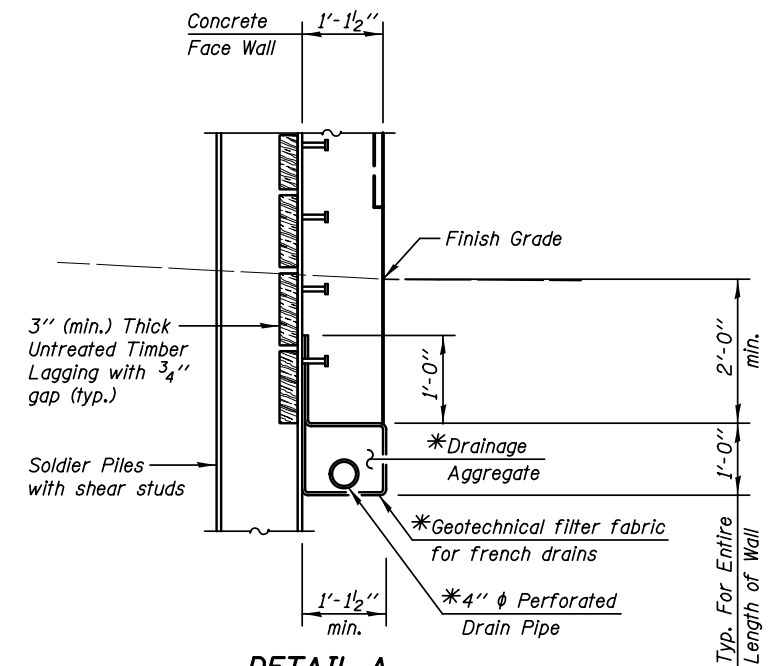
All structural steel shall conform to the requirements of AASHTO M 270 Grade 50 except as noted on plans.  
Reinforcement bars designated (E) shall be epoxy coated.  
The Contractor is responsible for the design and performance of the timber lagging using no less than a 3 in. nominal rough-sawn thickness and timber with a minimum allowable bending stress of 1000 psi.  
Concrete Sealer shall be applied to exposed surfaces of the front face, top face and back face of wall.

**NOTE A**

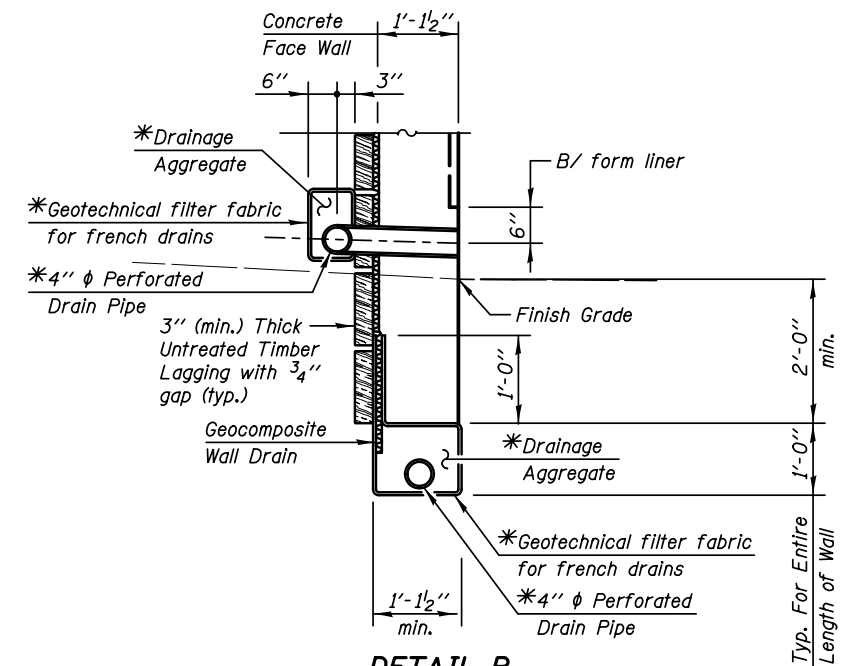
One (1) 4" drain pipe shall be placed at each pile space, centered between the piles and capped at each end. Cost included in the cost of "Pipe Underdrains for Structures".



**BEHIND WALL UNDERDRAIN DETAILS**



**DETAIL A**  
(At Soldier Piles)



**DETAIL B**  
(Between Soldier Piles)

**UNDERDRAIN DETAIL**

\*Cost Included with "Pipe Underdrains for Structures"

**TOTAL BILL OF MATERIAL**

ITEM	UNIT	TOTAL
Structure Excavation	Cu. Yd.	115.0
Concrete Structures	Cu. Yd.	150.0
Form Liner Textured Surface	Sq. Ft.	1555.0
Stud Shear Connectors	Each	650
Reinforcement Bars, Epoxy Coated	Pound	13680
Concrete Sealer	Sq. Ft.	3011.0
Geocomposite Wall Drain	Sq. Yd.	306.0
Untreated Timber Lagging	Sq. Ft.	2746.0
Furnishing Soldier Piles (HP Section)	Foot	546.0
Furnishing Soldier Piles (W Section)	Foot	1004.0
Pipe Underdrains for Structures 4"	Foot	923.0
Drilling And Setting Soldier Piles (In Soil)	Cu. Ft.	8519.0
Granular Backfill For Structures	Cu. Yd.	261.0

**KNIGHT**  
Engineers & Architects

DESIGNED - TB  
CHECKED - WPM  
SCALE - NONE  
DATE - 10/15/2012

REVISIONS  
REVISOR  
DATE

DESIGNED - TB  
CHECKED - WPM  
SCALE - NONE  
DATE - 10/15/2012

STATE OF ILLINOIS  
DEPARTMENT OF TRANSPORTATION

TOTAL BILL OF MATERIAL & MISCELLANEOUS DETAILS  
STRUCTURE NUMBER 022-W064

SHEET NO. SC-02 OF 10 SHEETS

F.A.P. RTE.	SECTION	COUNTY	TOTAL SHEETS	SHEET NO.
338	(112 & 113) WRS-5	DUPAGE	963	653
CONTRACT NO. 60131				

ILLINOIS FED. AID PROJECT