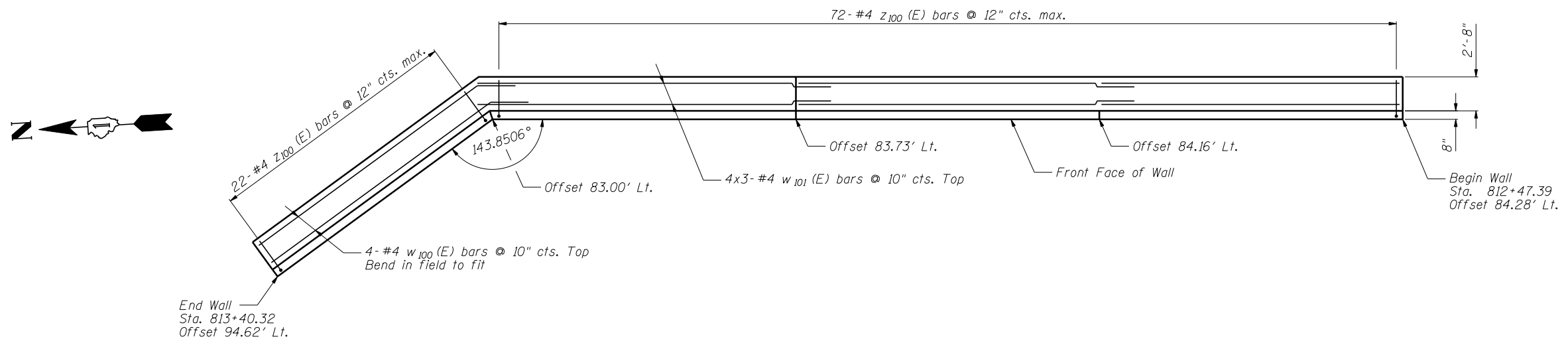


ELEVATION



PLAN

Notes:

Minimum lap for #4 bar is 2'-11".

Bars indicated thus: 4x3-#4 etc. indicates 4 lines of bars with 3 lengths per line.

* Signifies cut bar. Order per length on Bill of Material. Cut as shown in Cutting Diagram.

See Sheet SB-3 for Section A-A, Details and Bill of Material.

**WALL PLAN AND ELEVATION
SN 022-W063**



Zroka Engineering, P.C.
4216 North Hermitage
Chicago, IL 60613

USER NAME = SAW	DESIGNED - LAS	REVISED -
	CHECKED - DAZ	REVISED -
PLOT SCALE = 10.0000 "/ IN.	DRAWN - SAW	REVISED -
PLOT DATE = 10/9/2012	CHECKED - JLA	REVISED -

**STATE OF ILLINOIS
DEPARTMENT OF TRANSPORTATION**

**WALL PLAN AND ELEVATION
STRUCTURE NUMBER 022-W063**

SHEET NO. SB-2 OF SB-4 SHEETS

F.A.P. RTE.	SECTION	COUNTY	TOTAL SHEETS	SHEET NO.
338/1L 59	(112 & 113) WRS-5	DUPAGE	963	649
CONTRACT NO. 60131			ILLINOIS FED. AID PROJECT	

FILE NAME = ...E0131-W063-002-WallPlanElev.dgn