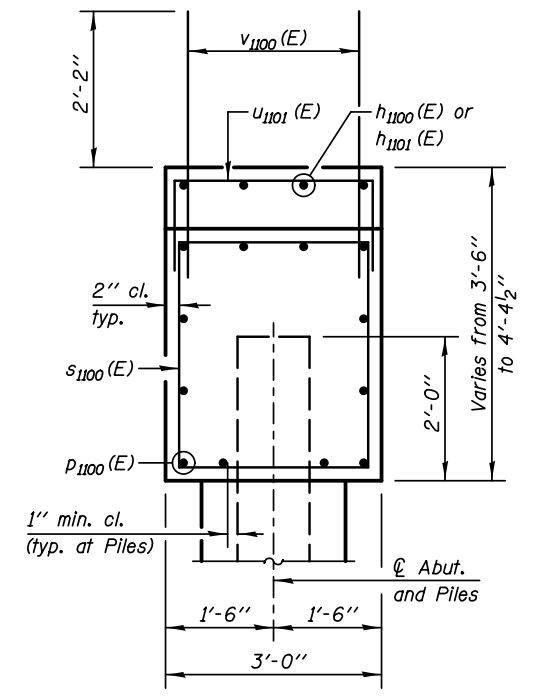
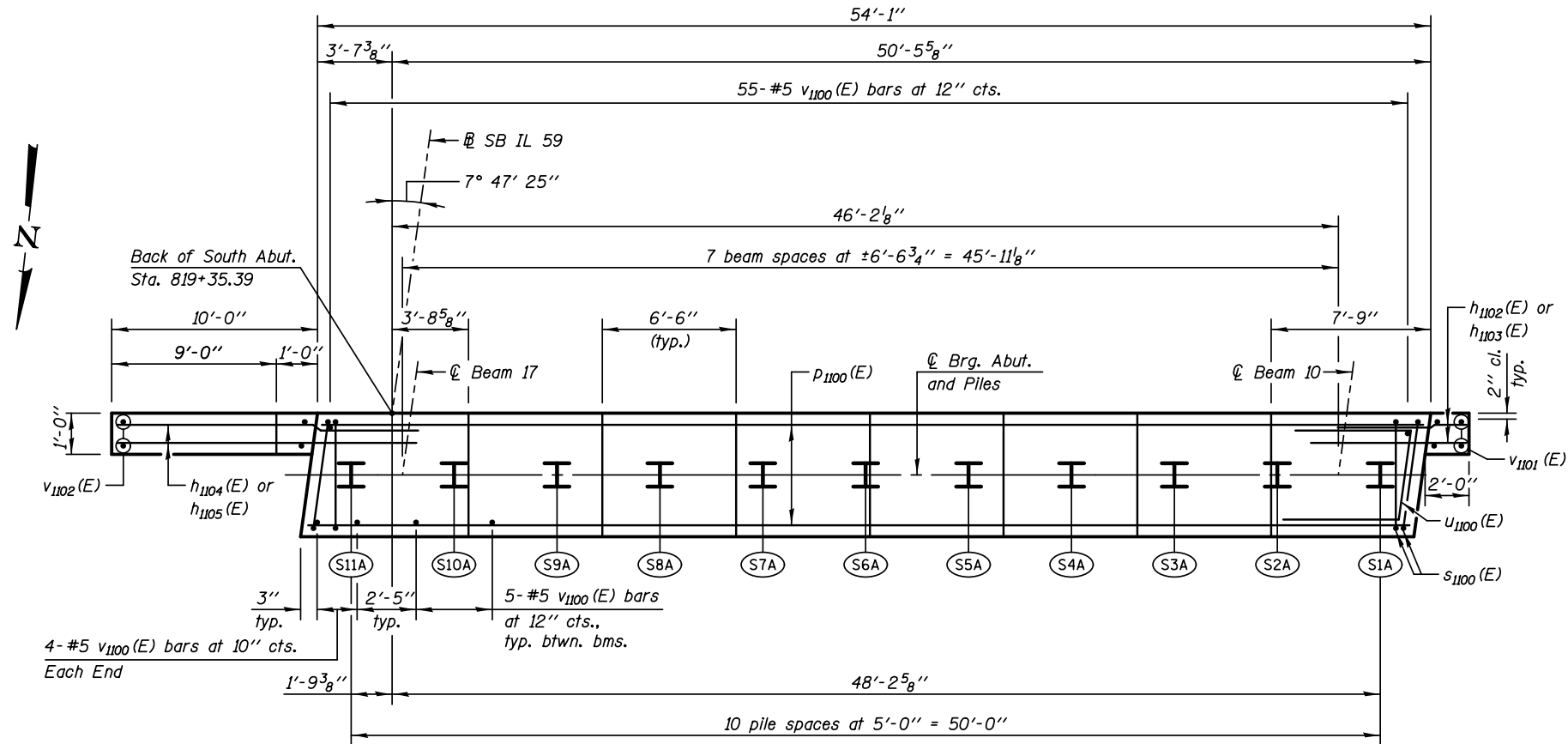


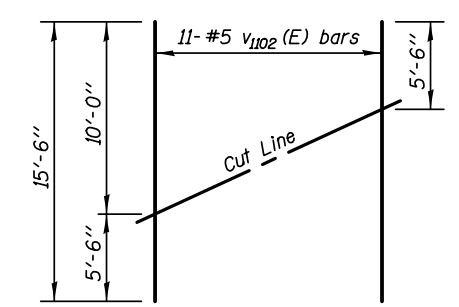
ELEVATION
(Looking South)



SEC. THRU ABUT.



PLAN - SOUTH ABUTMENT
(SB Bridge)

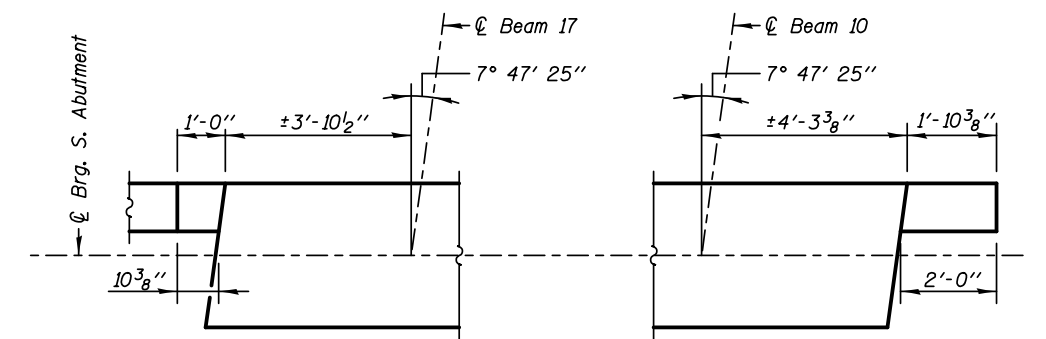


FIELD CUTTING DIAGRAM

Order v₁₁₀₂(E) full length. Cut as shown and use remainder of bars in opposite face.

BEARING SEAT ELEVATIONS

BEAM	BRG. SEAT ELEVATION	STEP T- inch
10	724.46	1 5/8"
11	724.32	1 1/2"
12	724.20	1 1/2"
13	724.07	1 1/2"
14	723.95	1 1/2"
15	723.82	1 1/2"
16	723.70	1 1/2"
17	723.58	1 3/8"



ABUTMENT CORNER DETAILS

PILE DATA

Type & Size: Steel HP 14x73
 Nominal Required Bearing: 578 Kips
 Factored Resistance Available: 318 Kips
 Est. Length: 75 ft
 No. Production Piles: 10
 No. Test Piles: 1

NOTES

Pour steps monolithically with cap.
 Bars indicated thus 20x3-#15 indicates 20 lines of bars with 3 lengths per line.
 See Sheet SA-04 for additional Pile Layout details.
 See Sheet SA-48 for details and Bill of Material.

See Sheet SA-49 for Chain Link Fence post spacing.
 See Roadway Plans for additional Chain Link Fence details.

LEGEND

E.F. Each Face
 (S1A) Pile Number

MIN. BAR LAP

Vertical Bars #5 - 2'-7"
 Horizontal Bars #5 - 2'-11"
 #7 - 4'-8"



DESIGNED - WPM	REVISIONS
CHECKED - TB	REVISIONS
DRAWN - TB	REVISIONS
CHECKED - WPM	REVISIONS

STATE OF ILLINOIS
 DEPARTMENT OF TRANSPORTATION

SOUTH ABUTMENT (SB)
 S.N. 022-2029 (SB) TOLLWAY B.N. 826
 S.N. 022-2030 (NB) TOLLWAY B.N. 825
 SHEET NO. SA-44 OF 63 SHEETS

F.A.P. RTE.	SECTION	COUNTY	TOTAL SHEETS	SHEET NO.
338	(112 & 113) WRS-5	DUPAGE	963	628
CONTRACT NO. 60131				
ILLINOIS FED. AID PROJECT				