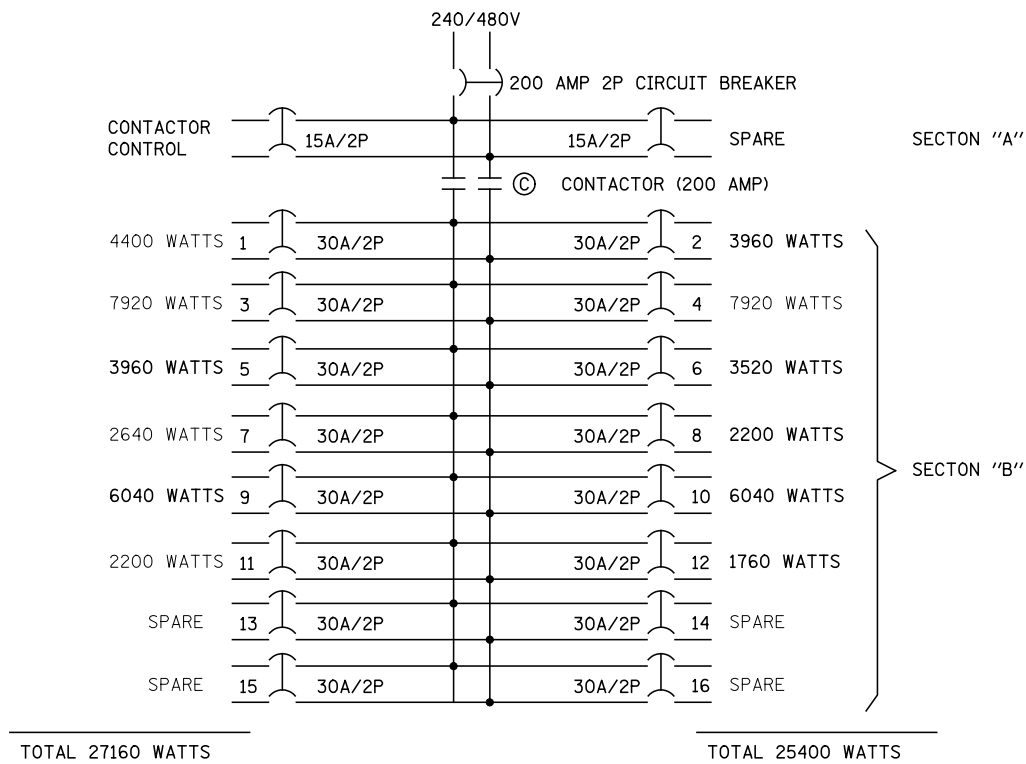


TOLLWAY BILL OF MATERIAL

DESIGNATION	UNIT OF MEASURE	QUANTITY
ELECTRIC SERVICE INSTALLATION	EACH	1
UNDERGROUND CONDUIT, PVC, 3" DIA.	FOOT	23
UNDERGROUND CONDUIT, PVC, 4" DIA.	FOOT	91
CONDUIT ATTACHED TO STRUCTURE, 3/4" DIA., PVC COATED GALVANIZED STEEL	FOOT	102
CONDUIT ATTACHED TO STRUCTURE, 2" DIA., PVC COATED GALVANIZED STEEL	FOOT	117
CONDUIT EMBEDDED IN STRUCTURE, 4" DIA., PVC	FOOT	45
JUNCTION BOX, STAINLESS STEEL, EMBEDDED IN STRUCTURE, 20" X 12" X 8"	EACH	3
JUNCTION BOX, STAINLESS STEEL, ATTACHED TO STRUCTURE, 12" X 10" X 6"	EACH	8
JUNCTION BOX, STAINLESS STEEL, ATTACHED TO STRUCTURE, 6" X 6" X 4"	EACH	4
HANDHOLE, TOLLWAY	EACH	1
UNIT DUCT, WITH 2-1/C NO. 2 AND 1/C NO. 4 GROUND, 600V (XLP-TYPE USE), 2" DIA. CNC	FOOT	898
UNIT DUCT, WITH 4-1/C NO. 2 AND 1/C NO. 4 GROUND, 600V (XLP-TYPE USE), 2" DIA. CNC	FOOT	9517
ELECTRIC CABLE IN CONDUIT, 600V (XLP-TYPE USE) 1/C NO. 10	FOOT	532
ELECTRIC CABLE IN CONDUIT, 600V (XLP-TYPE USE) 1/C NO. 4	FOOT	152
ELECTRIC CABLE IN CONDUIT, 600V (XLP-TYPE USE) 1/C NO. 2	FOOT	608
ELECTRIC CABLE IN CONDUIT, 600V (XLP-TYPE USE) 1/C NO. 3/0	FOOT	99
AERIAL CABLE, 4-1/C NO. 2, WITH MESSENGER WIRE	FOOT	10774
LUMINAIRE, SODIUM VAPOR, HORIZONTAL MOUNT, 400 WATT	EACH	3
UNDERPASS LUMINAIRE, 150 WATT, HIGH PRESSURE SODIUM VAPOR	EACH	8
TEMPORARY LUMINAIRE, SODIUM VAPOR, HIGH MAST, HORIZONTAL MOUNT, 750WATT	EACH	28
LIGHTING CONTROLLER, 200 AMPERE	EACH	1
LIGHTING CONTROLLER FOUNDATION, TYPE B	EACH	1
GROUND MOUNTED LIGHT POLE, ALUMINUM, 50 FT., 15 FT. MAST ARM	EACH	3
TEMPORARY WOOD POLE, 40 FT., CLASS 4	EACH	2
LIGHT POLE FOUNDATION (ROADWAY) STEEL HELIX (7 FT) OR CONCRETE	EACH	30
REMOVAL OF EXISTING LIGHTING UNIT, SALVAGE	EACH	28
REMOVAL OF UNDERPASS LUMINAIRE	EACH	8
REMOVAL OF EXISTING UNDERPASS LUMINAIRE FOUNDATION	EACH	27
REMOVAL OF EXISTING UNDERPASS LUMINAIRE FOUNDATION METAL	EACH	28
REMOVAL OF LIGHTING CONTROLLER	EACH	1
REMOVAL OF ELECTRIC SERVICE INSTALLATION	EACH	1
REMOVAL OF LIGHTING CONTROLLER FOUNDATION	EACH	1
REMOVAL OF EXISTING HANDHOLE	EACH	1
REMOVE TEMPORARY WOOD POLE	EACH	2
PROTECTION AND MAINTENANCE OF EXISTING UNDERPASS LIGHTING	L SUM	1
UNDERGROUND CONDUIT, PVC COATED GALVANIZED STEEL, 4" DIA.	FOOT	591
TEMPORARY WOOD POLE, 90 FT., CLASS 2, WITH 15 FT. MAST ARM, EMBEDDED	EACH	28



LEGEND

- EXISTING CIRCUIT (LOAD PER EXISTING PANEL SCHEDULE)
- NEW CIRCUIT DUE TO REMOVAL, ADDITION OR RELOCATION OF LUMINAIRE(S)

ILLINOIS TOLLWAY NEW LIGHTING CONTROLLER "C"